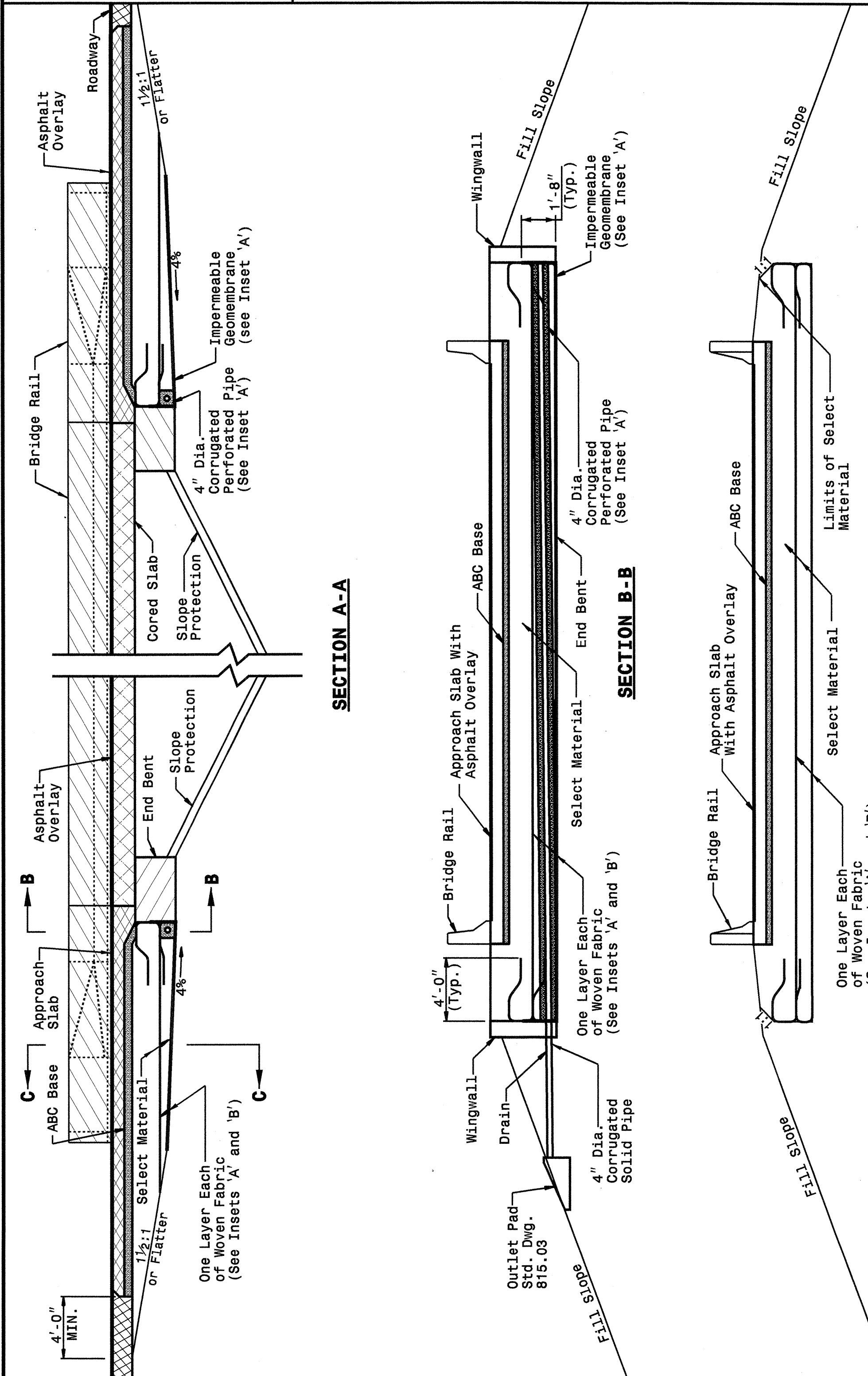


16-SEP-2004 10:52
 W:\Special Details\enlish\422d10\0422d10.dgn
 enlish AT DSC2260

STATE OF NORTH CAROLINA
 DEPT. OF TRANSPORTATION
 DIVISION OF HIGHWAYS
 RALEIGH, N.C.

ENGLISH DETAIL DRAWING FOR
REINFORCED BRIDGE APPROACH FILLS
 CORED SLAB BRIDGES

SHEET 3 OF 4
422D10



STATE OF NORTH CAROLINA
 DEPT. OF TRANSPORTATION
 DIVISION OF HIGHWAYS
 RALEIGH, N.C.

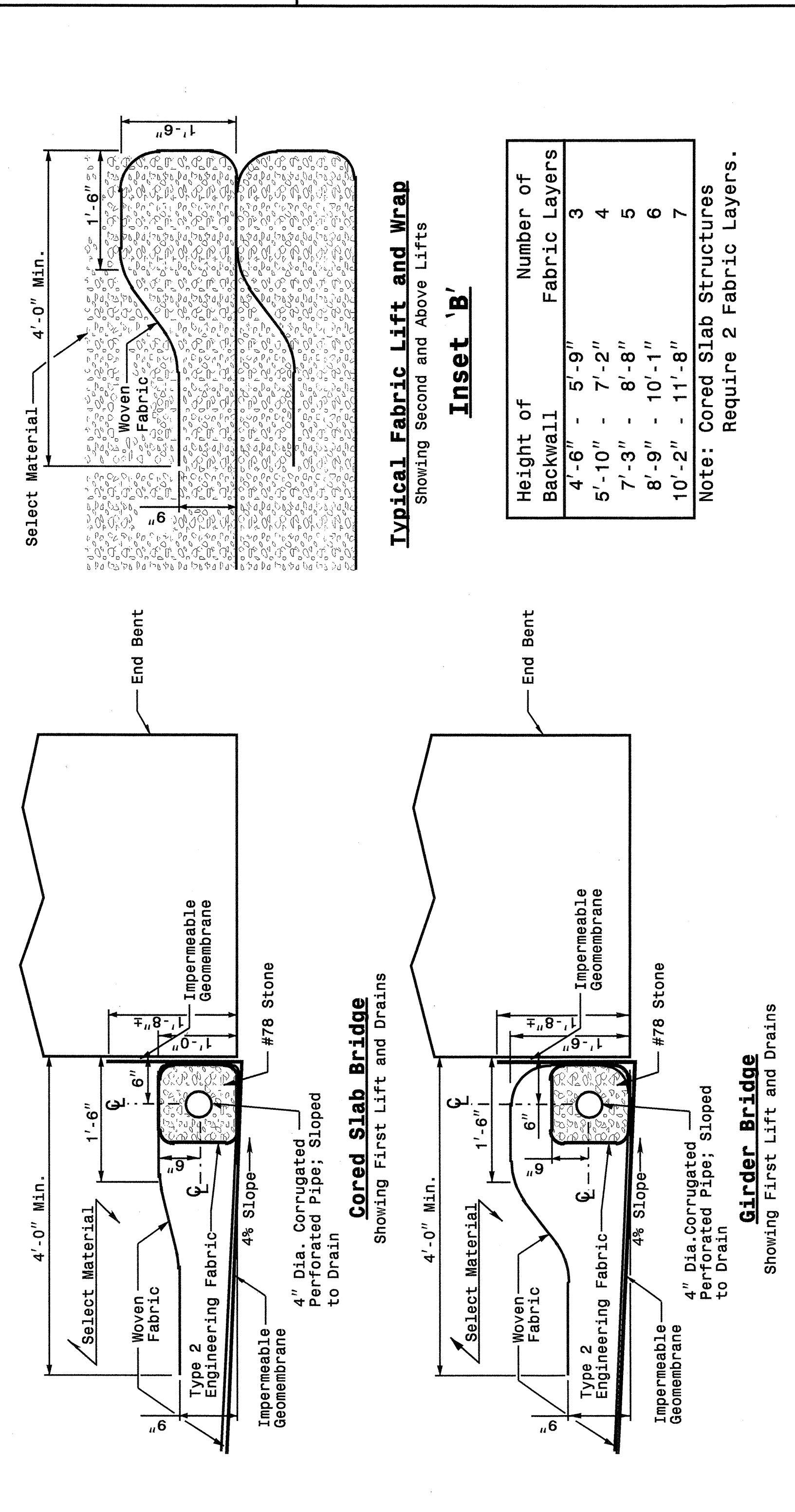
ENGLISH DETAIL DRAWING FOR
REINFORCED BRIDGE APPROACH FILLS
 CORED SLAB BRIDGES

SHEET 3 OF 4
422D10

STATE OF NORTH CAROLINA
 DEPT. OF TRANSPORTATION
 DIVISION OF HIGHWAYS
 RALEIGH, N.C.

ENGLISH DETAIL DRAWING FOR
REINFORCED BRIDGE APPROACH FILLS
 INSETS AND CHARTS

SHEET 4 OF 4
422D10



STATE OF NORTH CAROLINA
 DEPT. OF TRANSPORTATION
 DIVISION OF HIGHWAYS
 RALEIGH, N.C.

ENGLISH DETAIL DRAWING FOR
REINFORCED BRIDGE APPROACH FILLS
 INSETS AND CHARTS

SHEET 4 OF 4
422D10

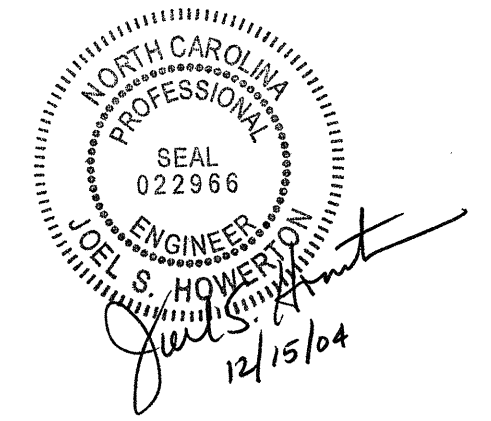
Height of Backwall	Number of Fabric Layers
4'-6" - 5'-9"	3
5'-10" - 7'-2"	4
7'-3" - 8'-8"	5
8'-9" - 10'-1"	6
10'-2" - 11'-8"	7

Note: Cored Slab Structures Require 2 Fabric Layers.

Typical Fabric Lift and Wrap
 Showing Second and Above Lifts
Inset 'B'

Length of Bridge End Bent Inside Wingwalls
 If Bridge Skew is Less Than or Equal to 90°:
 (Roadway Width + 7'-0") = Dis. Between Wingwalls
 Sin (Bridge Skew Angle)

If Bridge Skew is Greater Than 90°:
 (Roadway Width + 7'-0") = Dis. Between Wingwalls
 Cos (Bridge Skew Angle - 90°)



DESIGN SERVICES UNIT
STANDARDS AND SPECIAL DESIGN
 Office 919-250-4128 FAX 919-250-4119

SEE PLATE FOR TITLE

ORIGINAL BY: 2002 STANDARDS DATE: 01-15-02
 MODIFIED BY: E.E. WARD DATE: 09-15-04
 CHECKED BY: [Signature] DATE: 11/6/04
 FILE SPEC.: stds/02stdstodetails/eng/ish/422d10.dgn