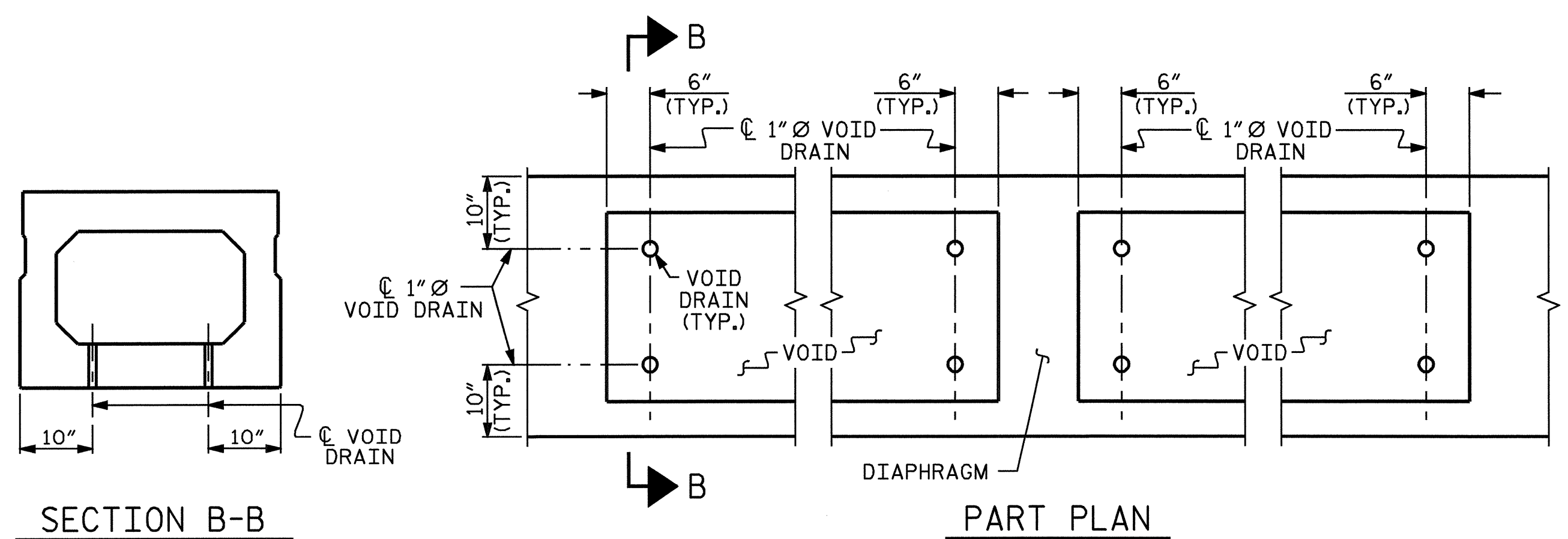


DOUBLE DIAPHRAGM DETAILS FOR 27" BOX BEAM

*4 "S" BARS NOT SHOWN. *4 "S" BARS MAY BE SHIFTED SLIGHTLY TO CLEAR 2" Ø HOLE.

GROUTED RECESS DETAIL AT END OF POST-TENSIONED STRANDS OF EXTERIOR 27" BOX BEAM



VOID DRAIN DETAILS
(DIMENSIONS SHOWN ARE TYPICAL FOR EACH VOID)

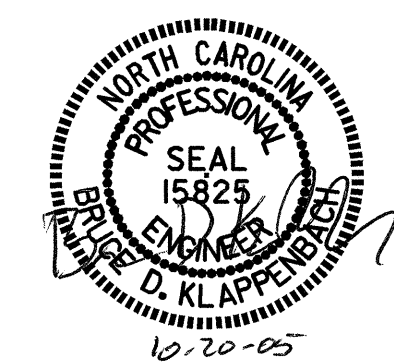
DEAD LOAD DEFLECTION AND CAMBER	
	3'-0" x 2'-3"
	0.6" Ø L.R. STRAND
	SPAN "A"
CAMBER (BEAM ALONE IN PLACE)	↑ 3 5/8"
DEFLECTION DUE TO SUPERIMPOSED DEAD LOADS **	↓ 1 3/16"
FINAL CAMBER	↑ 2 13/16"

** INCLUDES FUTURE WEARING SURFACE

PROJECT NO. B-4180
MACON COUNTY
 STATION: 17+06.00 -L-

SHEET 4 OF 5

STATE OF NORTH CAROLINA
 DEPARTMENT OF TRANSPORTATION
 RALEIGH
 3'-0" X 2'-3"
 PRESTRESSED CONCRETE
 BOX BEAM UNIT



REVISIONS						SHEET NO.
NO.	BY:	DATE:	NO.	BY:	DATE:	S-7
1			3			TOTAL SHEETS
2			4			18

ASSEMBLED BY : J.B. WILSON	DATE : 1/18/05
CHECKED BY : D.A. GLADDEN	DATE : 2/9/05
DRAWN BY : TLA 5/05	ADDED 7/11/05
CHECKED BY : GM 6/05	