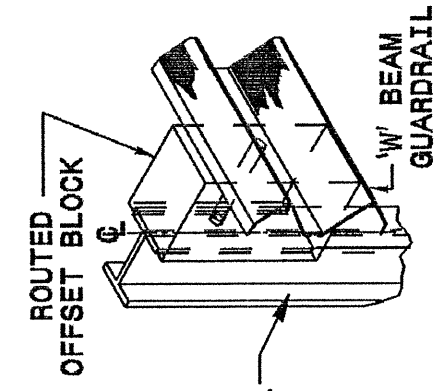
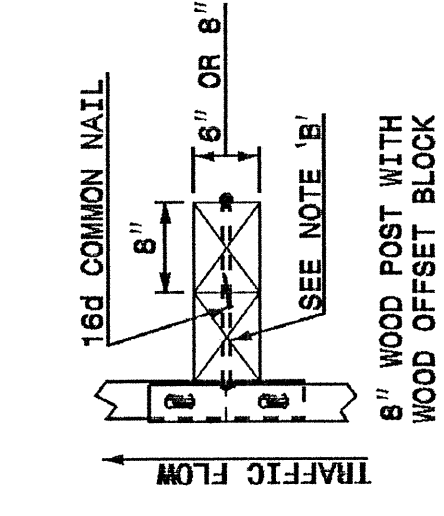
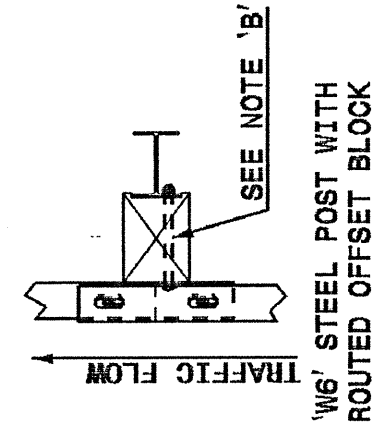
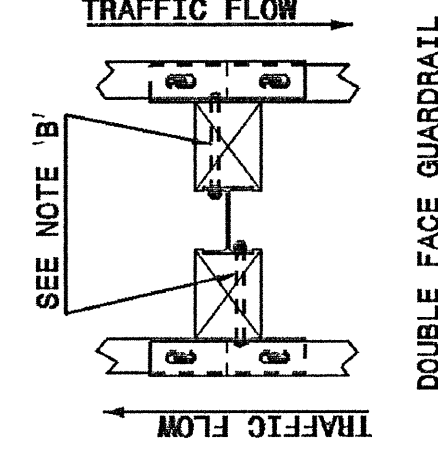
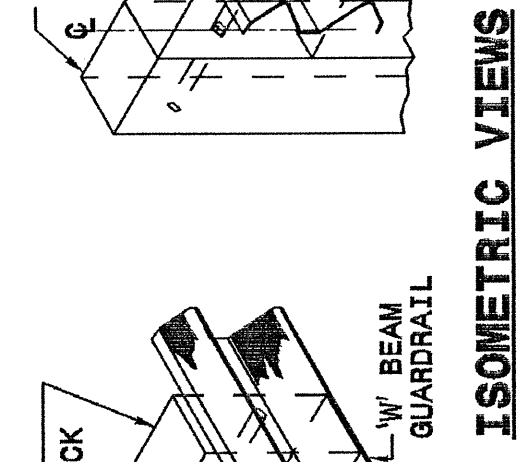
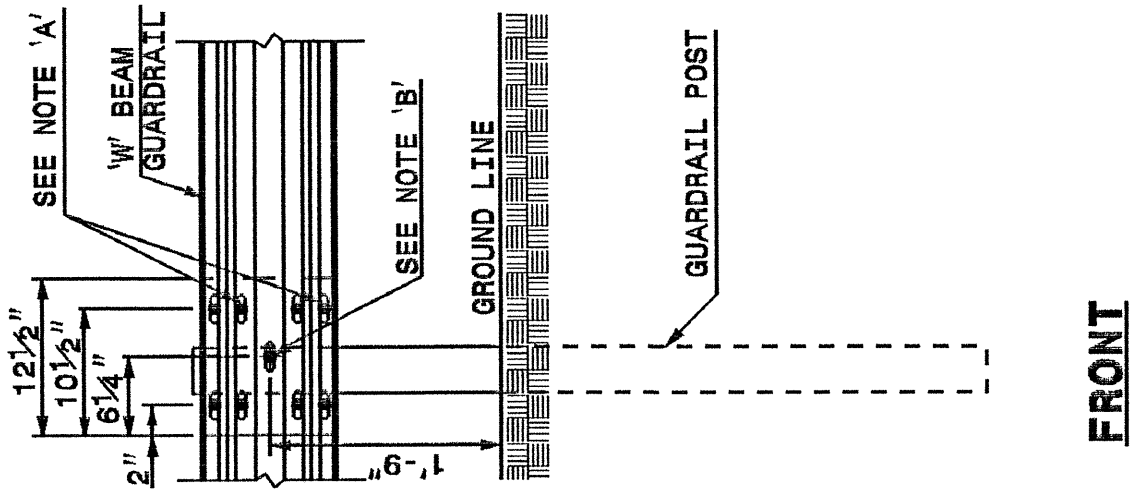
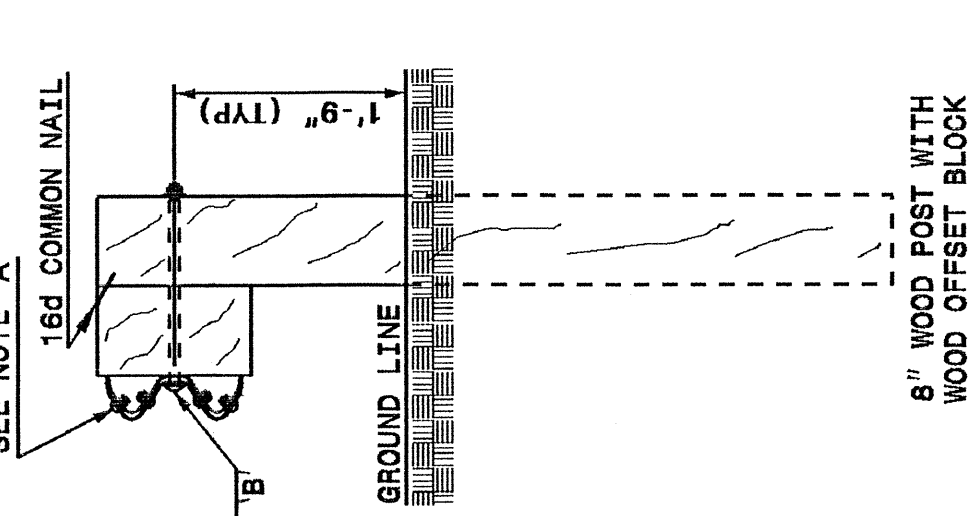
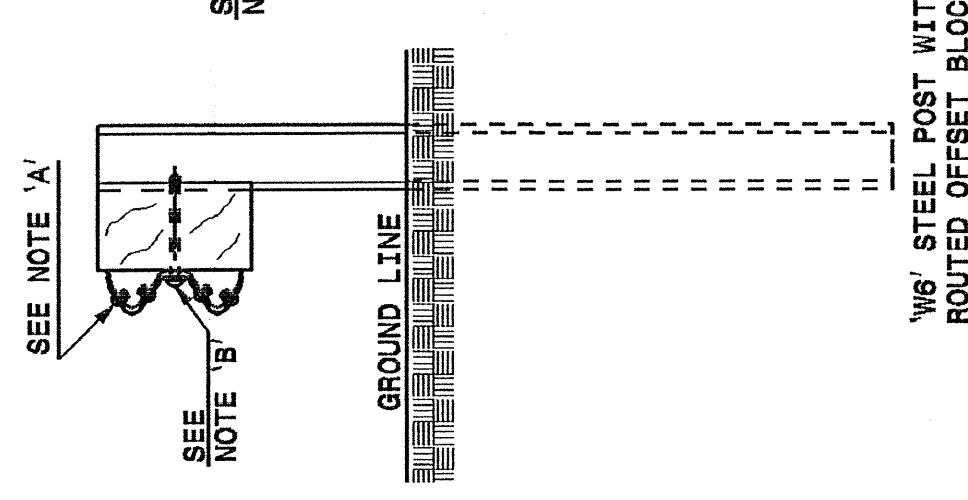
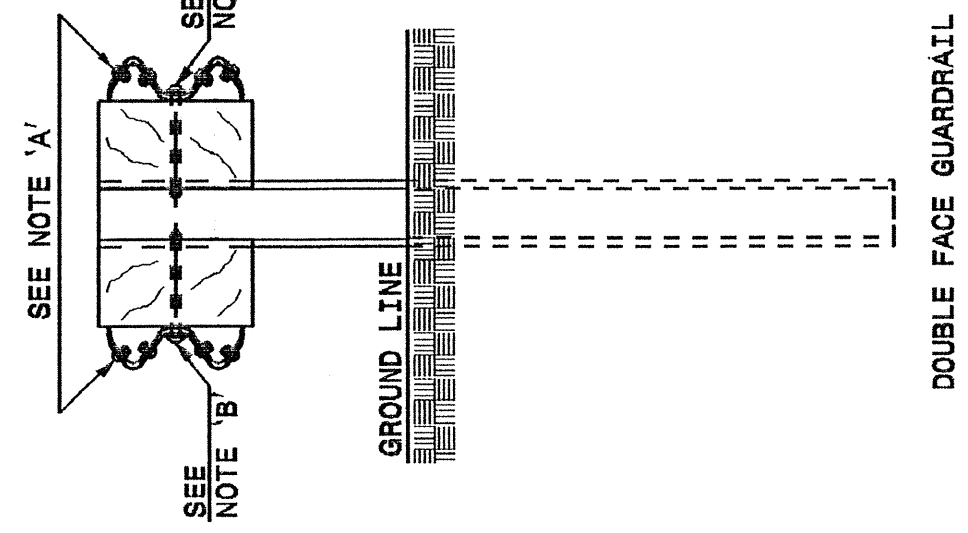


STATE OF
 NORTH CAROLINA
 DEPT. OF TRANSPORTATION
 DIVISION OF HIGHWAYS
 RALEIGH, N.C.



STATE OF
 NORTH CAROLINA
 DEPT. OF TRANSPORTATION
 DIVISION OF HIGHWAYS
 RALEIGH, N.C.

ENGLISH DETAIL DRAWING FOR
 GUARDRAIL INSTALLATION



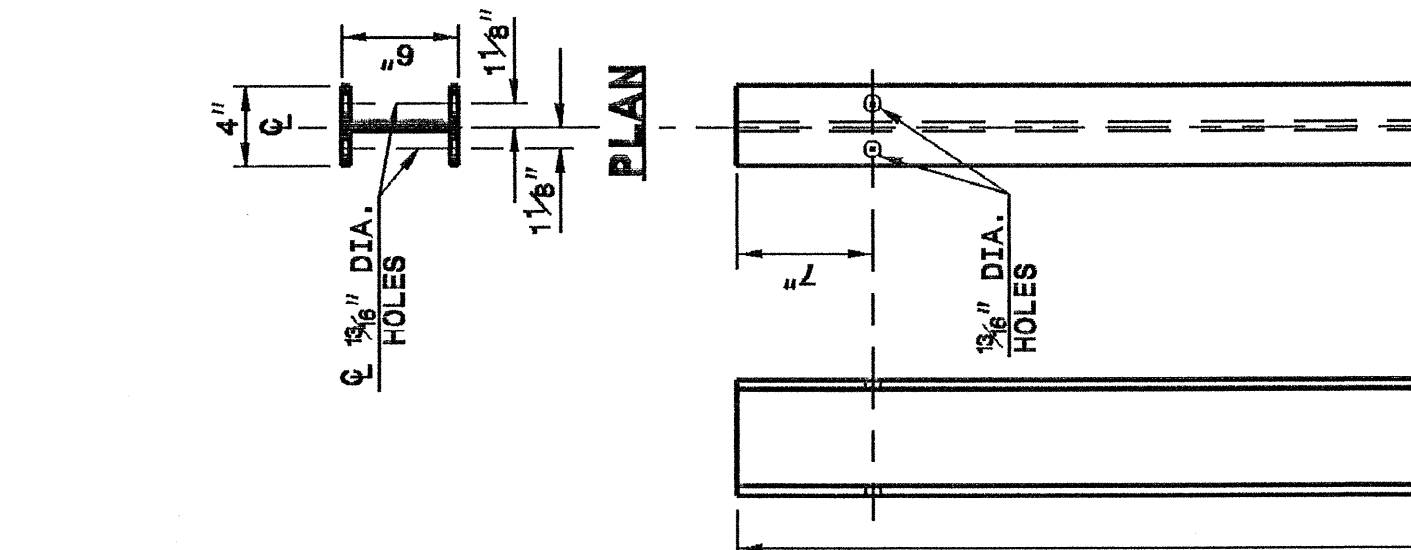
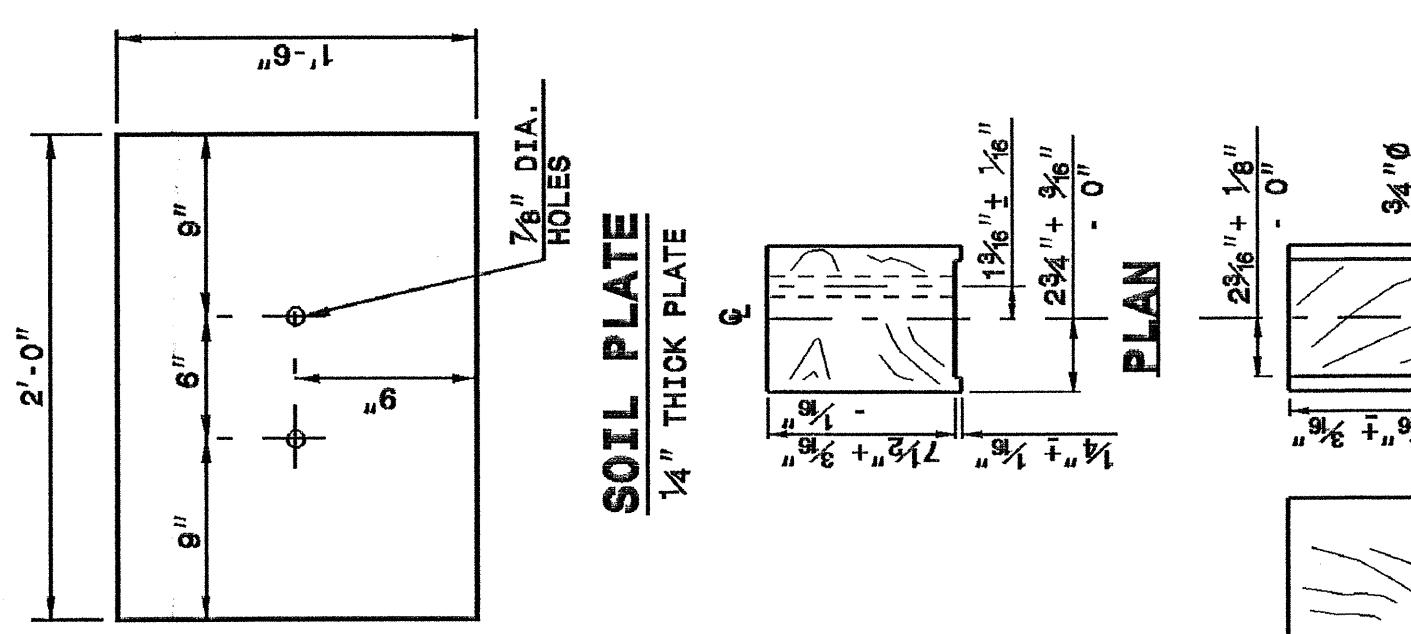
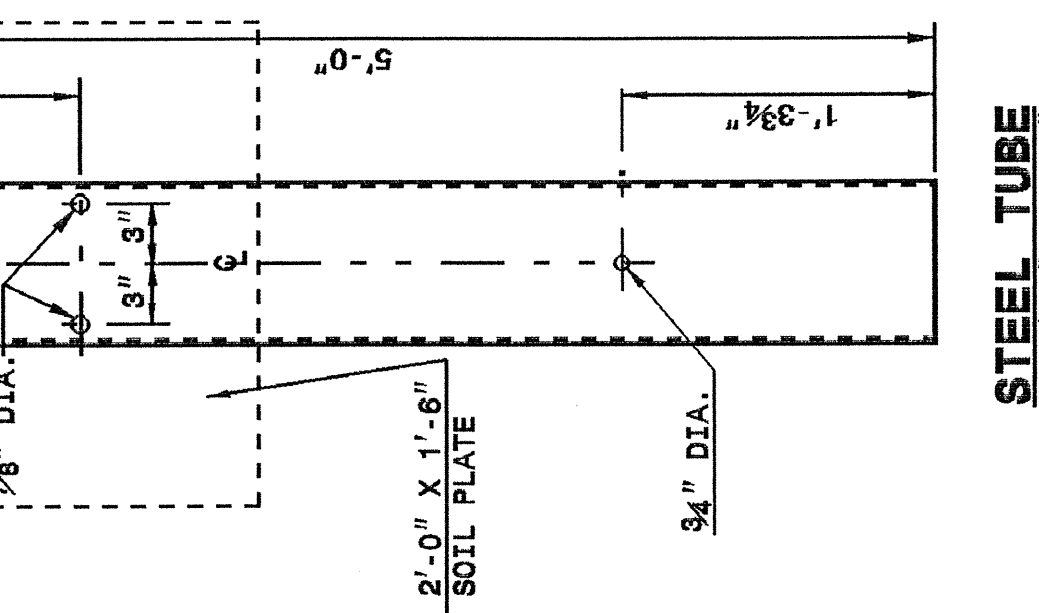
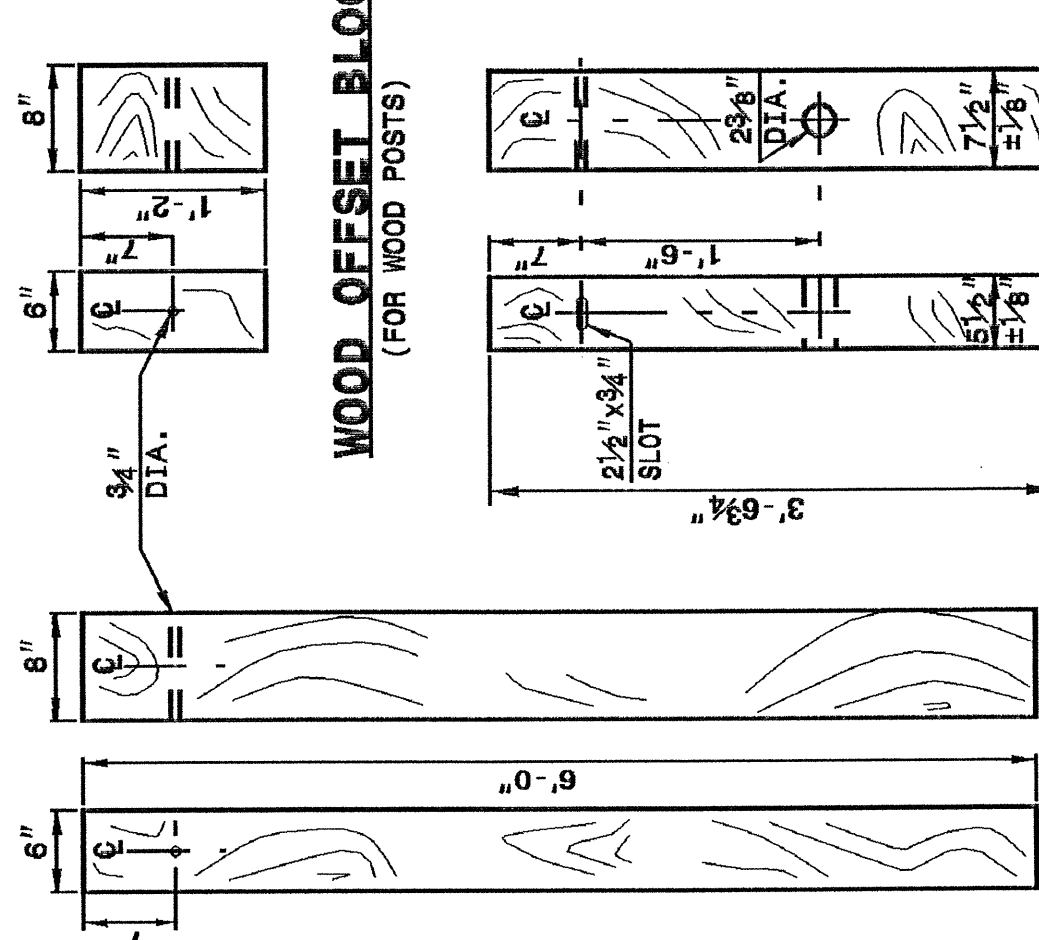
ENGLISH DETAIL DRAWING FOR
 GUARDRAIL INSTALLATION

- NOTES:
 A - 3/8" DIA. BUTTON HEAD SPRIE BOLT 1 1/4" LONG WITH STD. WASHER UNDER NUT (8 REG. PER SPRIE JOINT).
 B - 3/8" DIA. BUTTON HEAD BOLT 7 1/2" / 9" LONG WITH NUT FOR BOLTING 8" / 8" ROUTED OFFSET BLOCK TO STEEL POSTS OR
 8" DIA. BUTTON HEAD BOLT 18" LONG WITH STD. WASHER UNDER NUT FOR BOLTING INTO WOOD POSTS (1 REG. PER LOCATION)
 C - FIELD PUNCHING OF HOLES INTO GUARDRAIL SHALL BE AS DIRECTED BY THE ENGINEER.

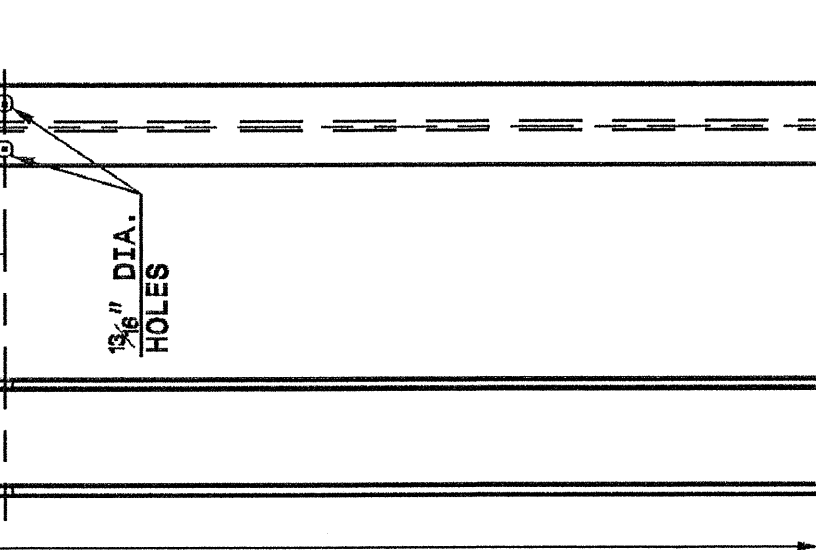
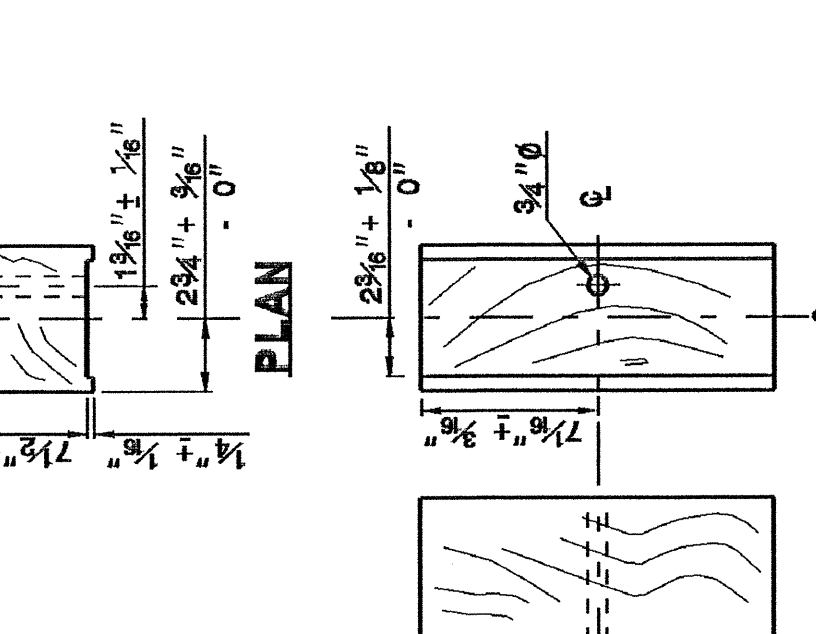
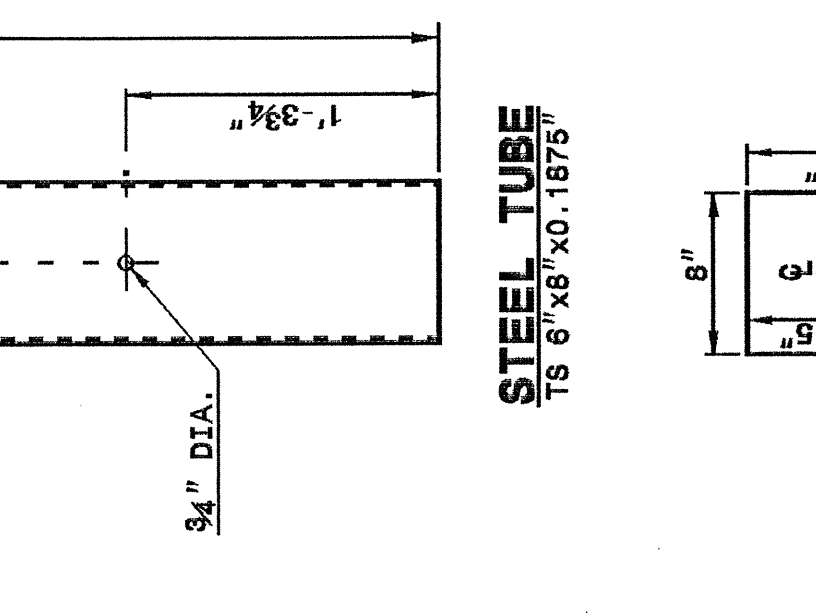
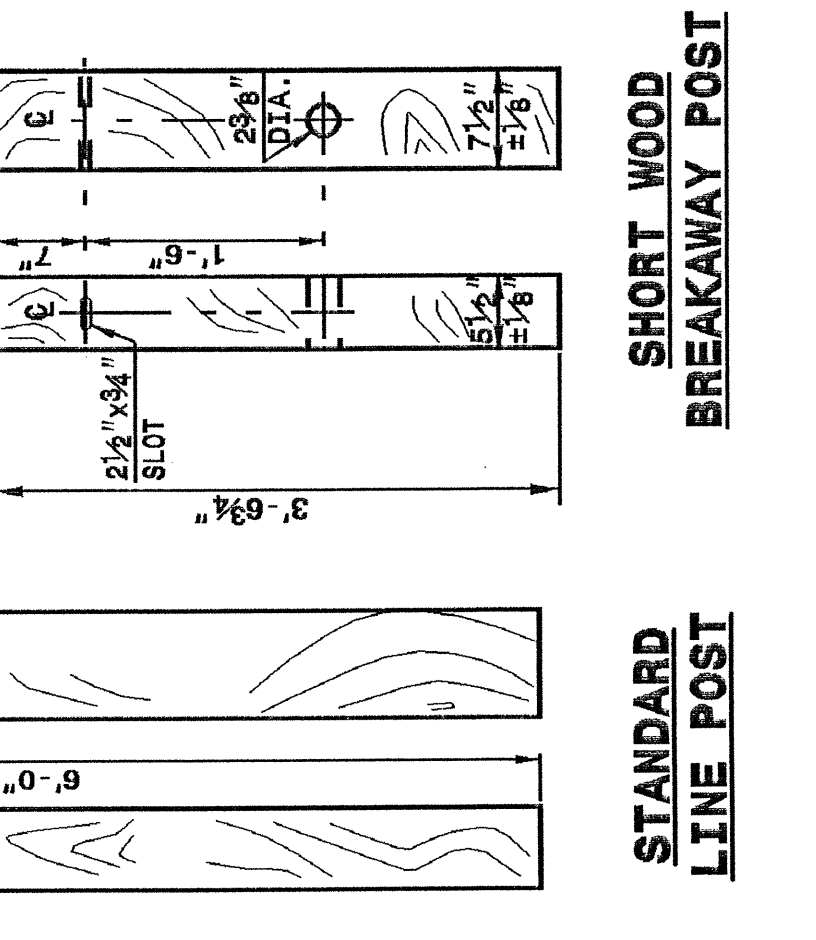
TYPICAL GUARDRAIL AND GUARDRAIL POST ALTERNATIVES

SHEET 3 OF 7
 862D02

STATE OF
 NORTH CAROLINA
 DEPT. OF TRANSPORTATION
 DIVISION OF HIGHWAYS
 RALEIGH, N.C.



ENGLISH DETAIL DRAWING FOR
 GUARDRAIL INSTALLATION

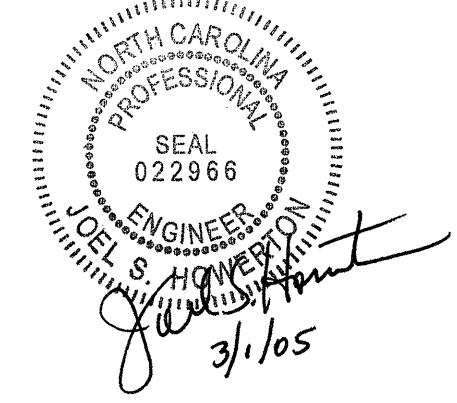


ENGLISH DETAIL DRAWING FOR
 GUARDRAIL INSTALLATION

DESIGN SERVICES UNIT
 STANDARDS AND SPECIAL DESIGN
 Office 919-250-4128 FAX 919-250-4119

SEE PLATE FOR TITLE

ORIGINAL BY: 2002 STD. 862.02 DATE:
 MODIFIED BY: E.E. WARD DATE: 02-09-03
 CHECKED BY: DATE:
 FILE SPEC.: /usr/stds/02todetail/eng/ish/86202/862d02.dgn



SYSTEM PARTS

SHEET 4 OF 7
 862D02