

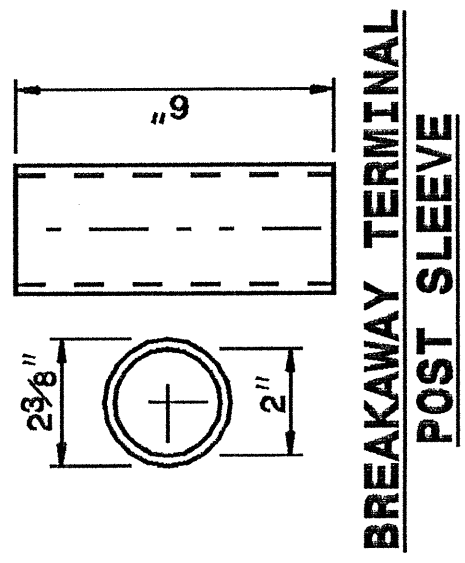
4-MAY-2003 14:32
V:\Special Details\ward\stds\02\stds to Special Details\english\862D02\862D02.dgn
ericward AT DS\86660

5/14/99

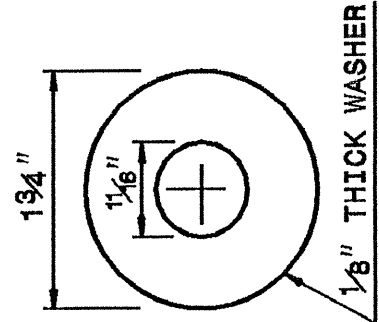
STATE OF NORTH CAROLINA
DEPT. OF TRANSPORTATION
DIVISION OF HIGHWAYS
RALEIGH, N.C.

ENGLISH DETAIL DRAWING FOR
GUARDRAIL INSTALLATION

SHEET 5 OF 7
862D02

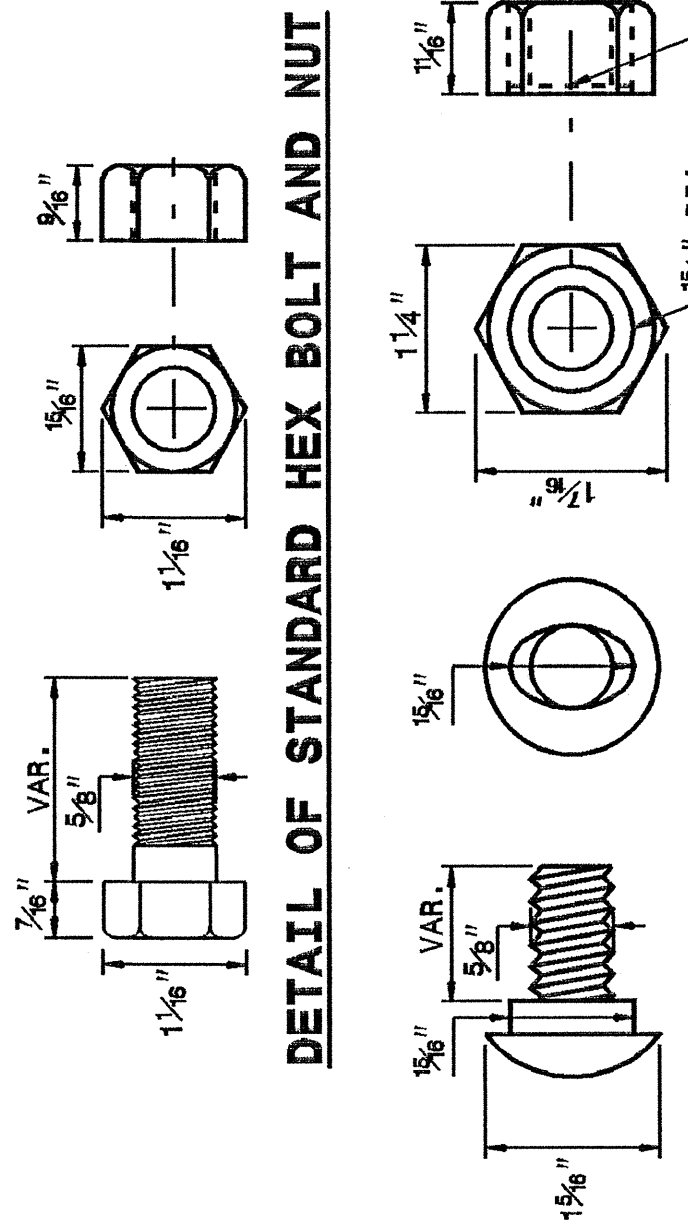


BREAKAWAY TERMINAL
POST SLEEVE



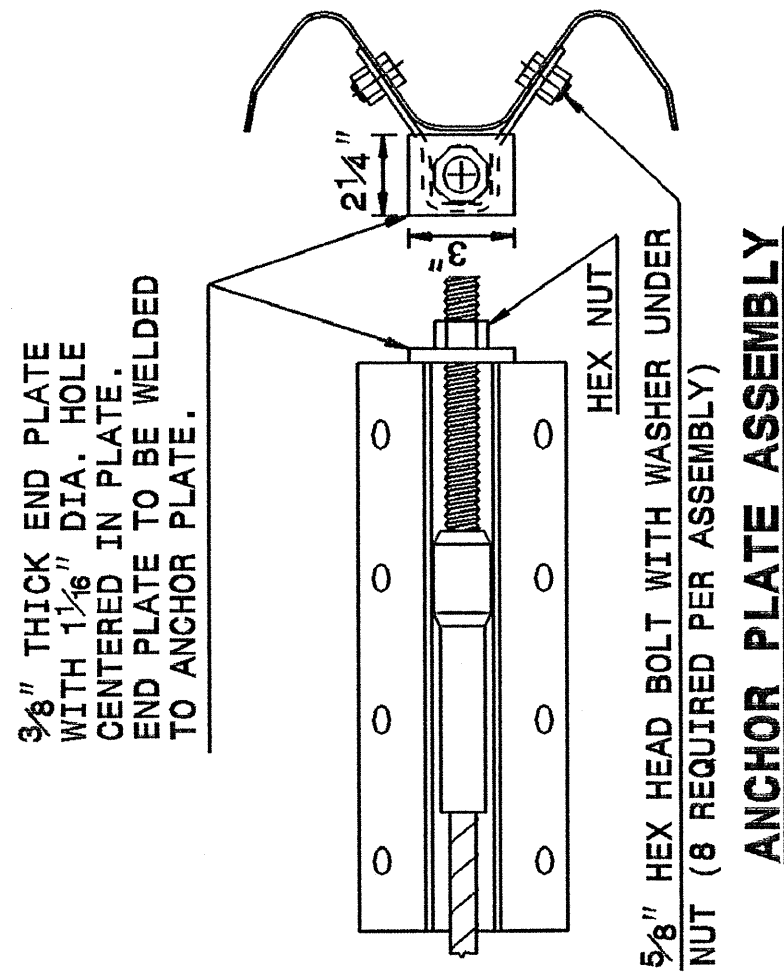
1/8" THICK WASHER

DETAIL OF STANDARD WASHER
STANDARD WASHER: TYPICAL USE UNDER NUT WITH WOOD POST



DETAIL OF STANDARD HEX BOLT AND NUT

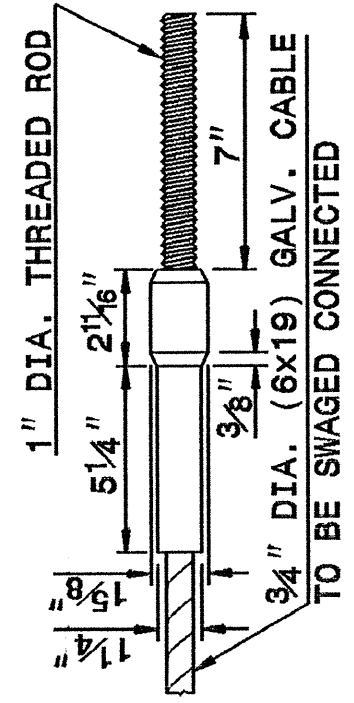
DETAIL OF BUTTON HEAD BOLT AND NUT



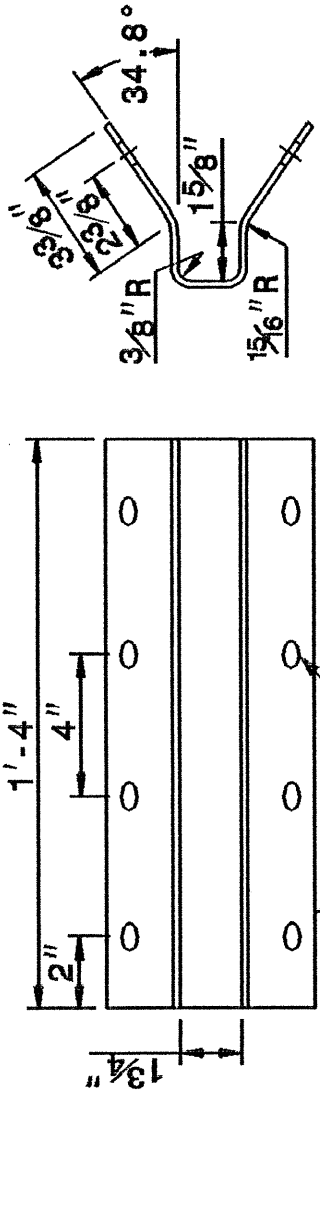
3/8" THICK END PLATE
WITH 1 1/8" DIA. HOLE
CENTERED IN PLATE.
END PLATE TO BE WELDED
TO ANCHOR PLATE.

HEX NUT
5/8" HEX HEAD BOLT WITH WASHER UNDER
NUT (6 REQUIRED PER ASSEMBLY)

ANCHOR PLATE ASSEMBLY



SWAGED CABLE



3/8" THICK GALV.
STEEL PLATE

ANCHOR PLATE

CABLE ASSEMBLY

SYSTEM PARTS

SHEET 5 OF 7
862D02

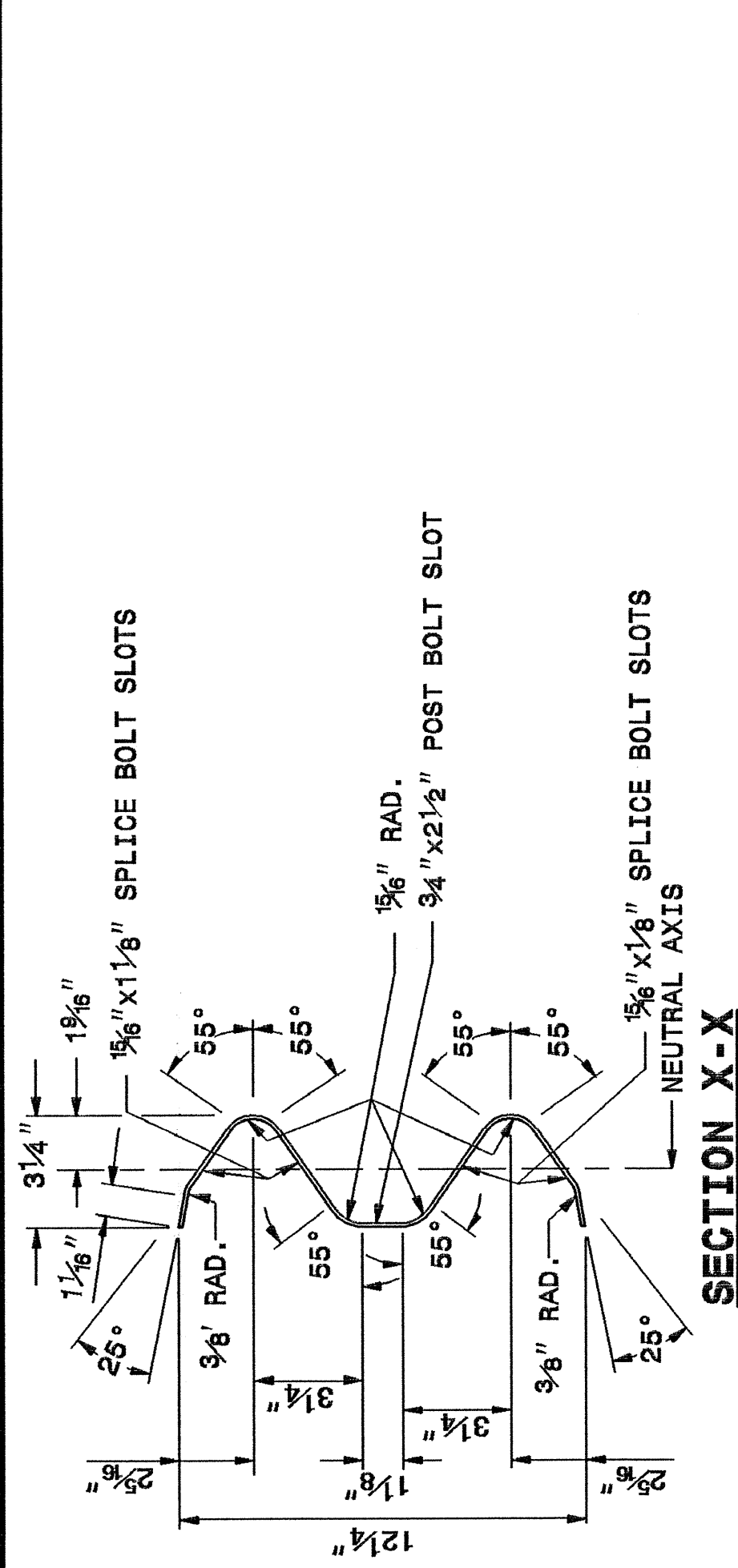
STATE OF NORTH CAROLINA
DEPT. OF TRANSPORTATION
DIVISION OF HIGHWAYS
RALEIGH, N.C.

ENGLISH DETAIL DRAWING FOR
GUARDRAIL INSTALLATION

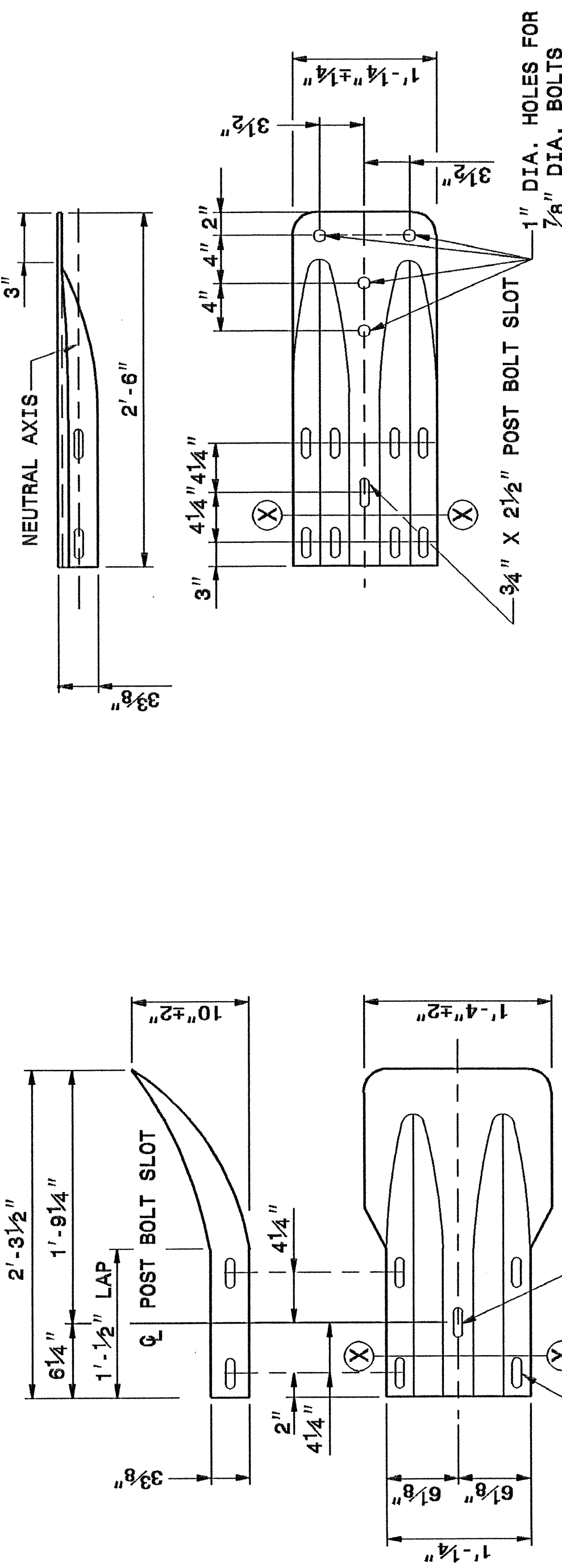
STATE OF NORTH CAROLINA
DEPT. OF TRANSPORTATION
DIVISION OF HIGHWAYS
RALEIGH, N.C.

ENGLISH DETAIL DRAWING FOR
GUARDRAIL INSTALLATION

SHEET 6 OF 7
862D02



SECTION X-X



TERMINAL END SECTION

NEUTRAL AXIS

2'-6"

3"

3 3/8"

4 1/4" x 4 1/4"

3 1/2"

4" x 4" x 2"

1'-1 1/4" ± 1/4"

1" DIA. HOLES FOR
7/8" DIA. BOLTS

3/8"

3/4" x 2 1/2" POST BOLT SLOT

1" DIA. HOLES FOR
7/8" DIA. BOLTS

3/8"

1'-1 1/4"

3/8"

3/4" x 2 1/2" POST BOLT SLOT

1" DIA. HOLES FOR
7/8" DIA. BOLTS

SYSTEM PARTS - GENERAL USE

SHEET 6 OF 7
862D02

STATE OF NORTH CAROLINA
DEPT. OF TRANSPORTATION
DIVISION OF HIGHWAYS
RALEIGH, N.C.

ENGLISH DETAIL DRAWING FOR
GUARDRAIL INSTALLATION

DESIGN SERVICES UNIT
STANDARDS AND SPECIAL DESIGN
Office 919-250-4128 FAX 919-250-4119

SEE PLATE FOR TITLE

ORIGINAL BY: 2002 STD.862.02 DATE: _____
MODIFIED BY: E.E. WARD DATE: 02-09-03
CHECKED BY: _____ DATE: _____
FILE SPEC.: /usr/stds/02todetail/english/86202/862D02.dgn

