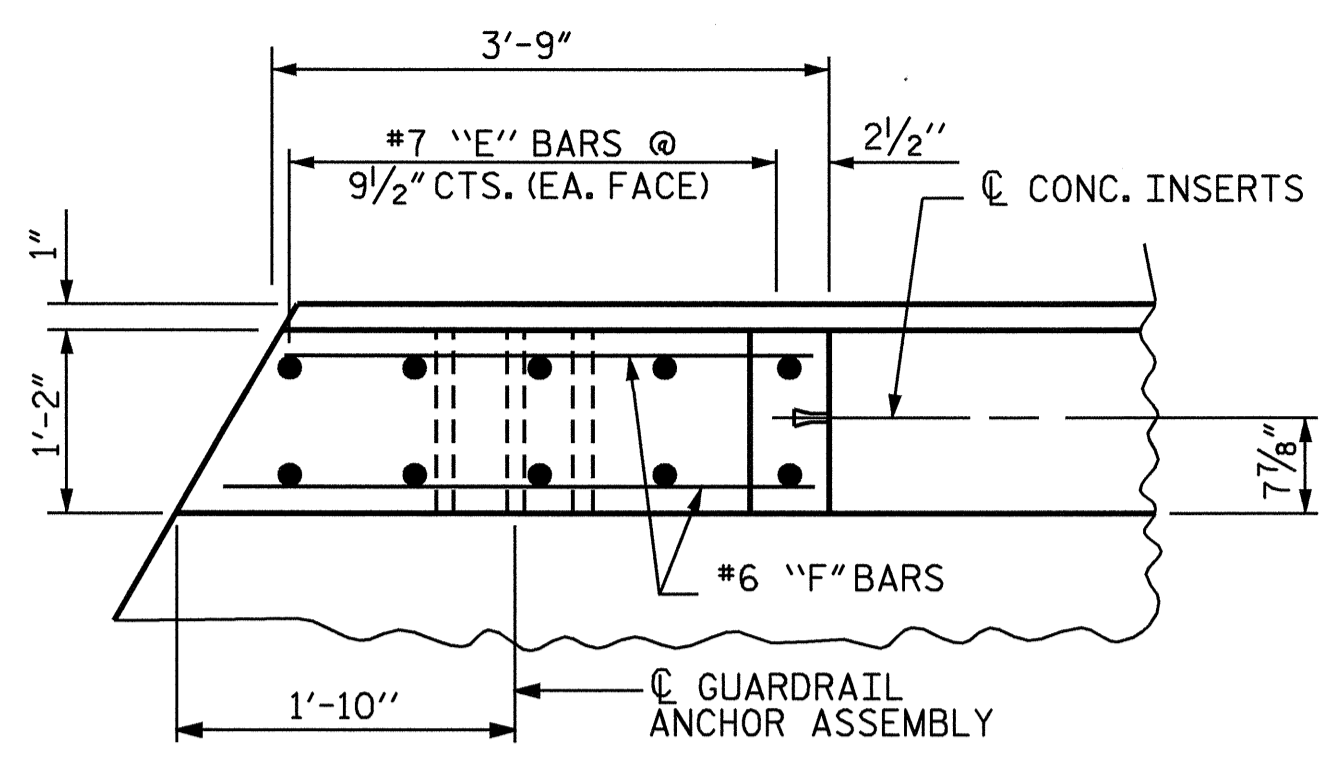
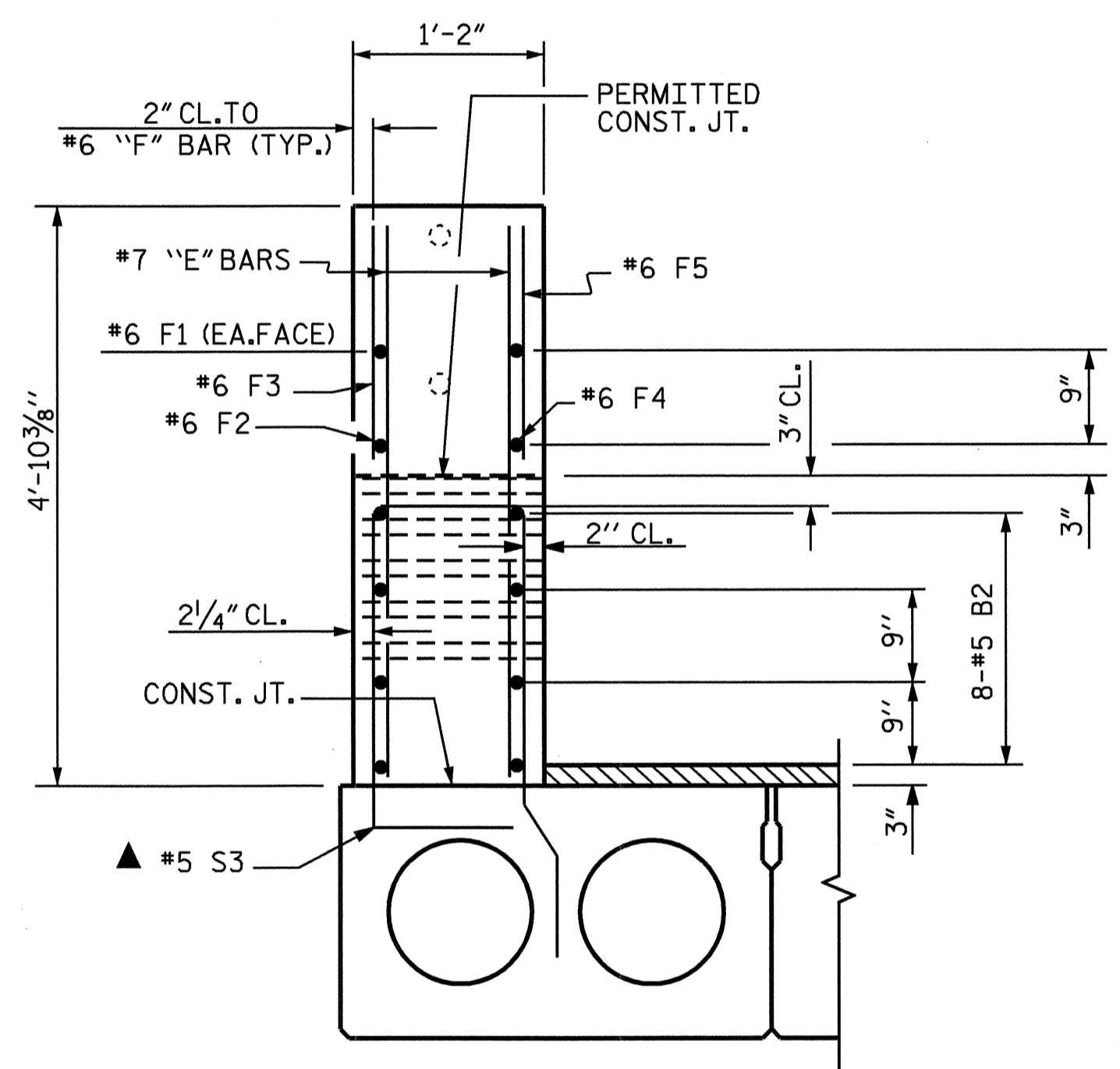


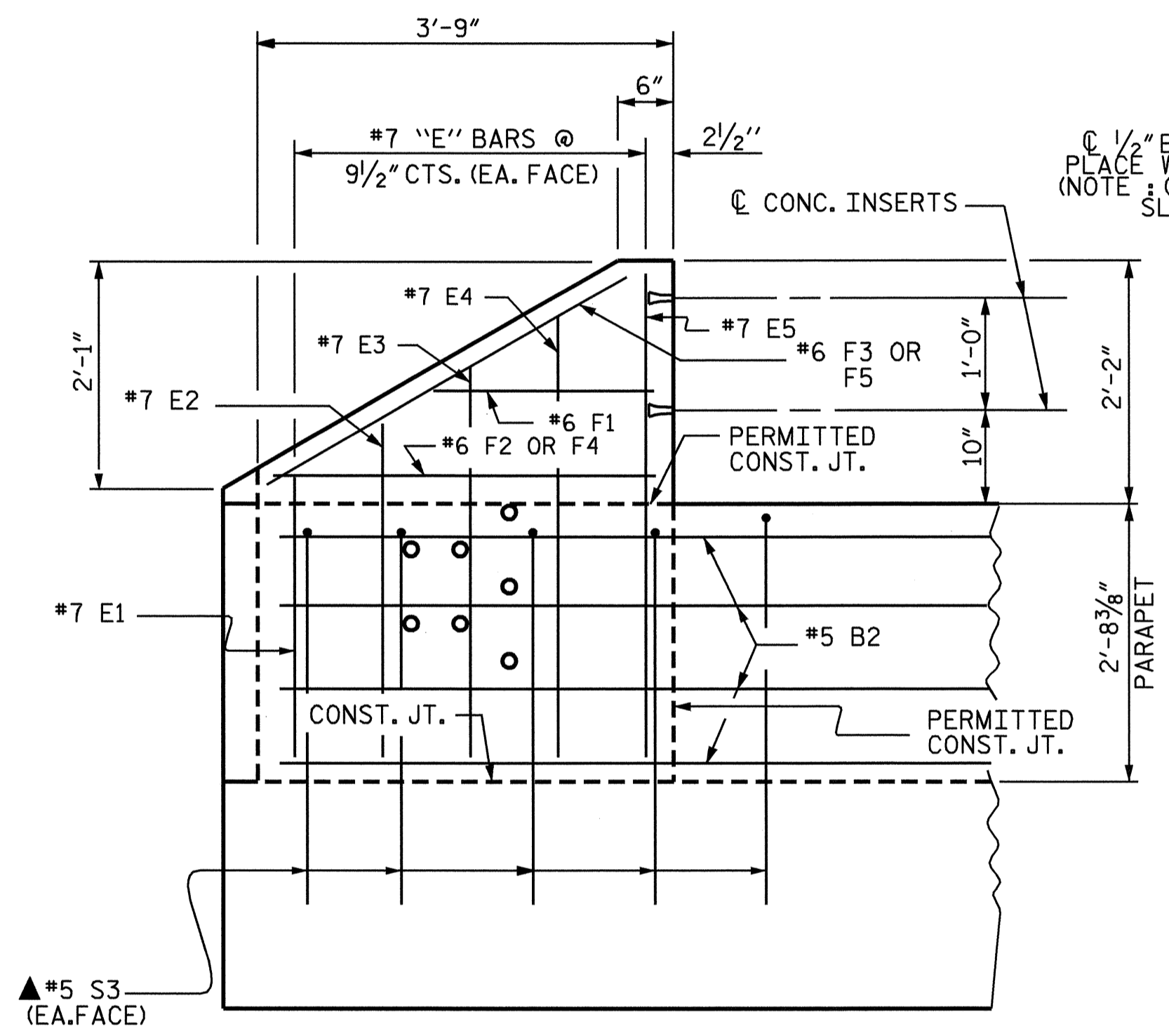
PLAN OF PARAPET



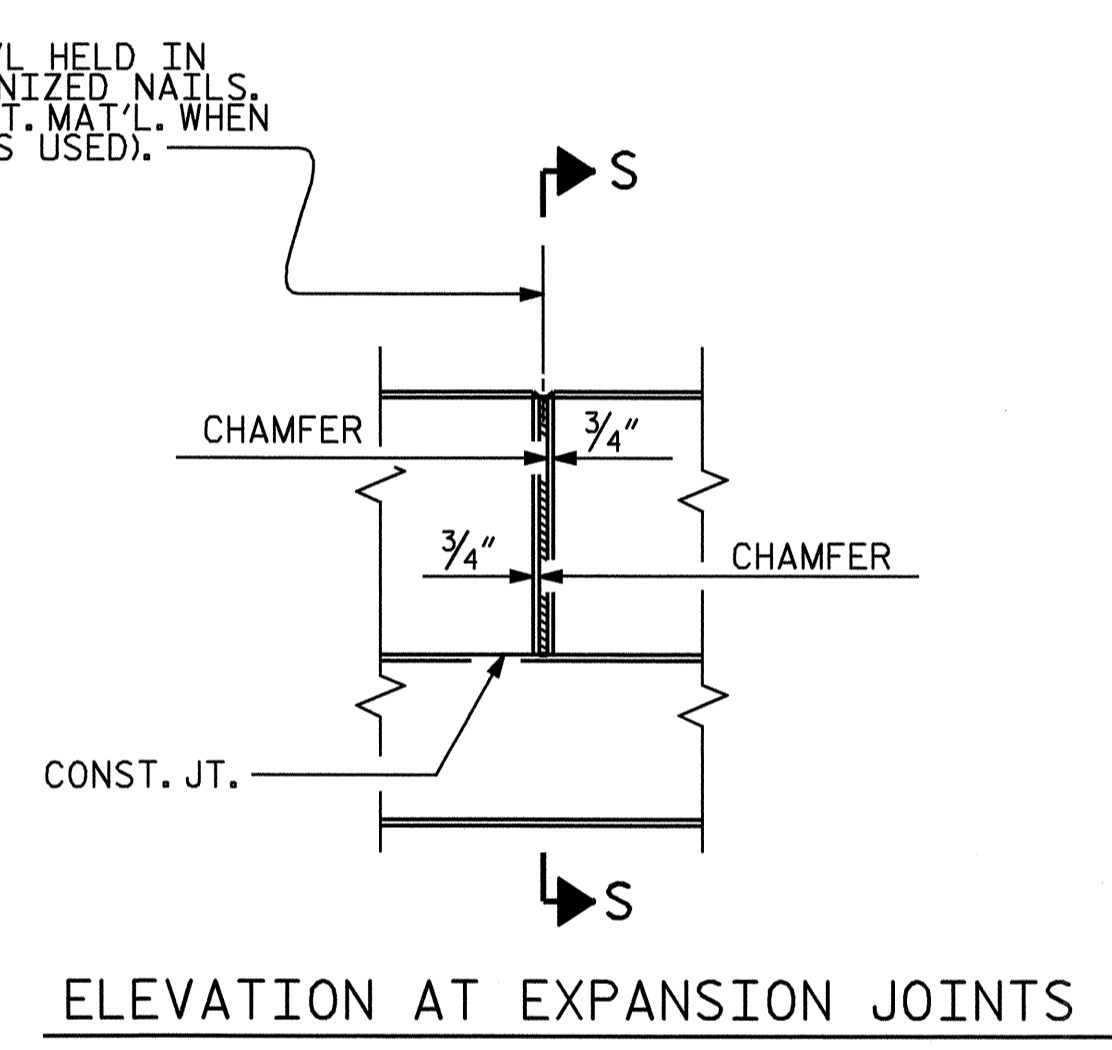
PLAN OF END POST



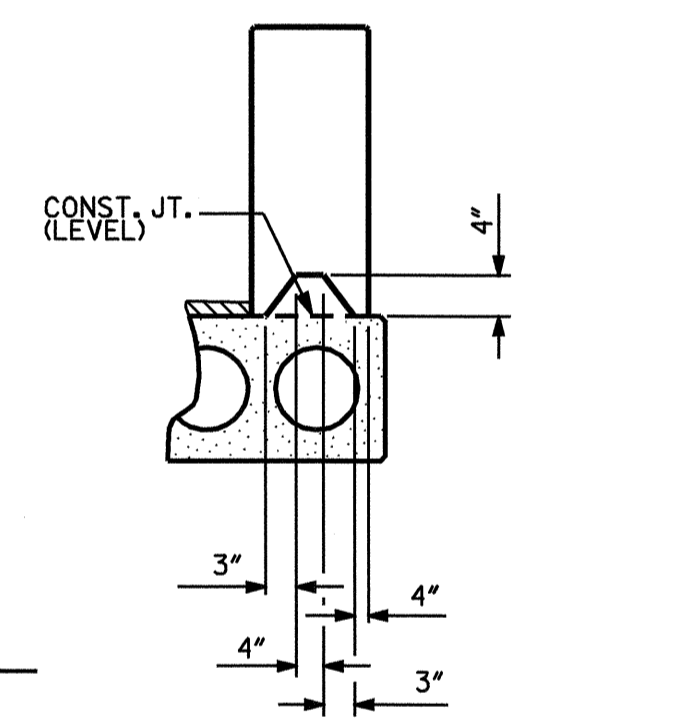
END VIEW



ELEVATION



PARAPET DETAILS



SECTION S-S
 AT DAM IN OPEN JOINT
 (THIS IS TO BE USED ONLY
 WHEN SLIP FORM IS USED)

PARAPET AND END POST FOR TWO BAR RAIL

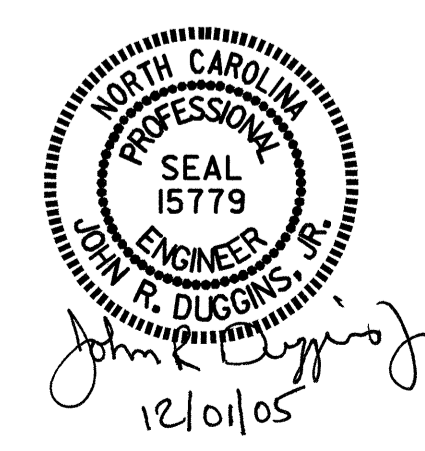
NOTES

FOR DETAILS OF CONCRETE INSERT AND GUARDRAIL ANCHOR ASSEMBLY, SEE "RAIL POST SPACINGS AND END OF RAIL DETAILS" SHEETS.
 ALL DIMENSIONS ARE TAKEN ALONG OUTSIDE EDGE OF PARAPET.
 ALL REINFORCING STEEL IN CONCRETE PARAPET SHALL BE EPOXY COATED.
 THE REINFORCING STEEL & CONCRETE IN THE END POSTS IS INCLUDED IN THE UNIT PRICE BID FOR THE CONCRETE PARAPET.

▲ FOR #5 S3 BAR QUANTITIES, SEE "BILL OF MATERIAL FOR ONE CORED SLAB SECTION".

BILL OF MATERIAL					
CONCRETE PARAPETS & END POSTS					
BAR	NO.	SIZE	TYPE	LENGTH	WEIGHT
* B2	64	5	STR	11'-9"	784
* E1	8	7	STR	2'-9"	45
* E2	8	7	STR	3'-3"	53
* E3	8	7	STR	3'-8"	60
* E4	8	7	STR	4'-2"	68
* E5	8	7	STR	4'-6"	74
* F1	8	6	STR	1'-10"	22
* F2	4	6	STR	2'-10"	17
* F3	4	6	STR	3'-0"	18
* F4	4	6	STR	3'-3"	20
* F5	4	6	STR	3'-5"	21
* EPOXY COATED REINFORCING STEEL					1182 LBS.
CLASS AA CONCRETE					10.7 C.Y.
1'-2" X 2'-8 3/8" CONCRETE PARAPET					84.80 LIN. FEET

DRAWN BY : M. POOLE DATE : 02/05
 CHECKED BY : J. R. DUGGINS DATE : 02/05



PROJECT NO. B-3663
 HENDERSON COUNTY
 STATION: 12+96.30 -L-

STATE OF NORTH CAROLINA DEPARTMENT OF TRANSPORTATION RALEIGH					
CONCRETE PARAPET FOR 2 BAR METAL RAIL					
REVISIONS					SHEET NO.
NO.	BY:	DATE:	NO.	BY:	DATE:
1			3		
2			4		
					TOTAL SHEETS 22