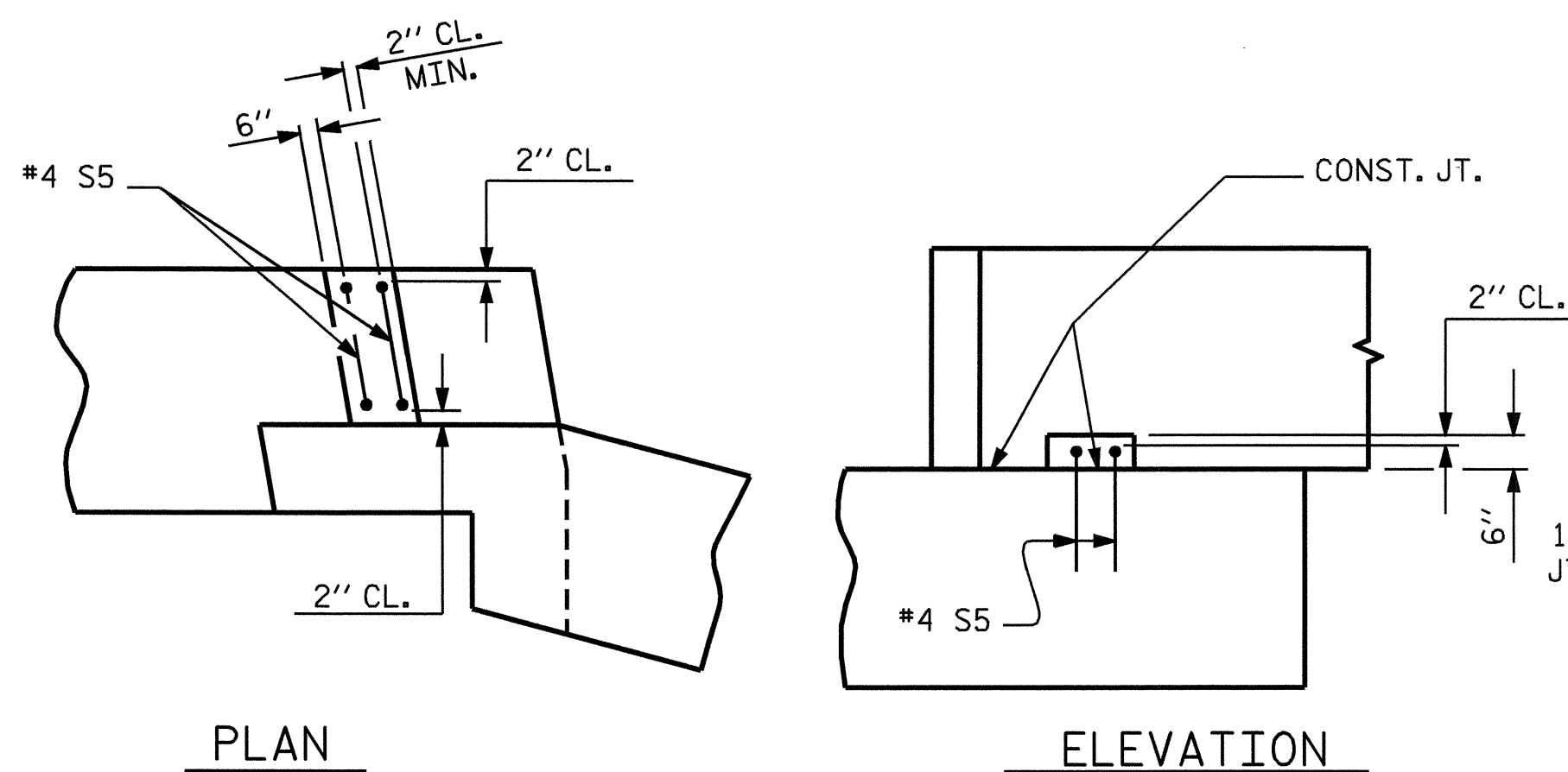


PLAN OF LEFT END

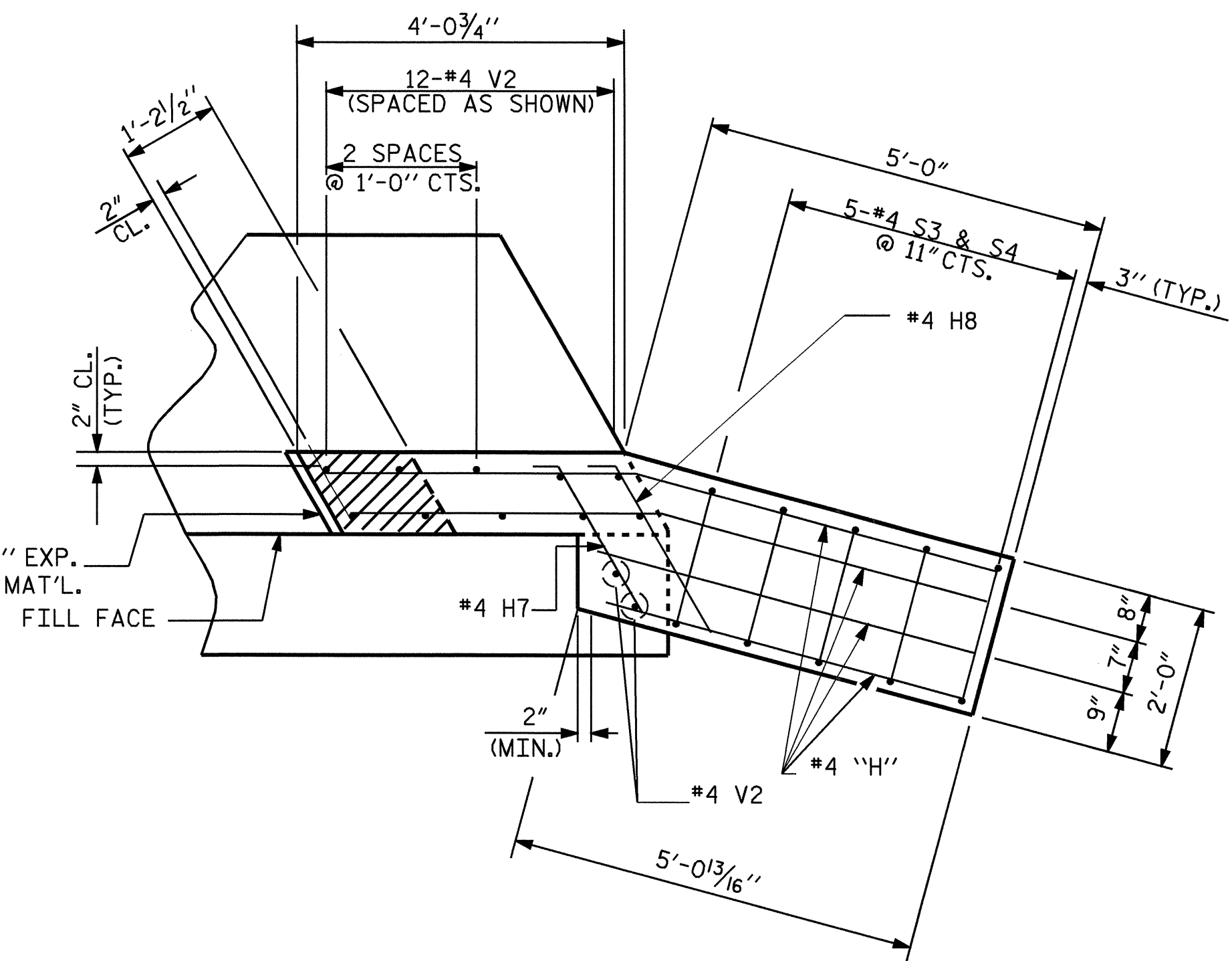


PLAN

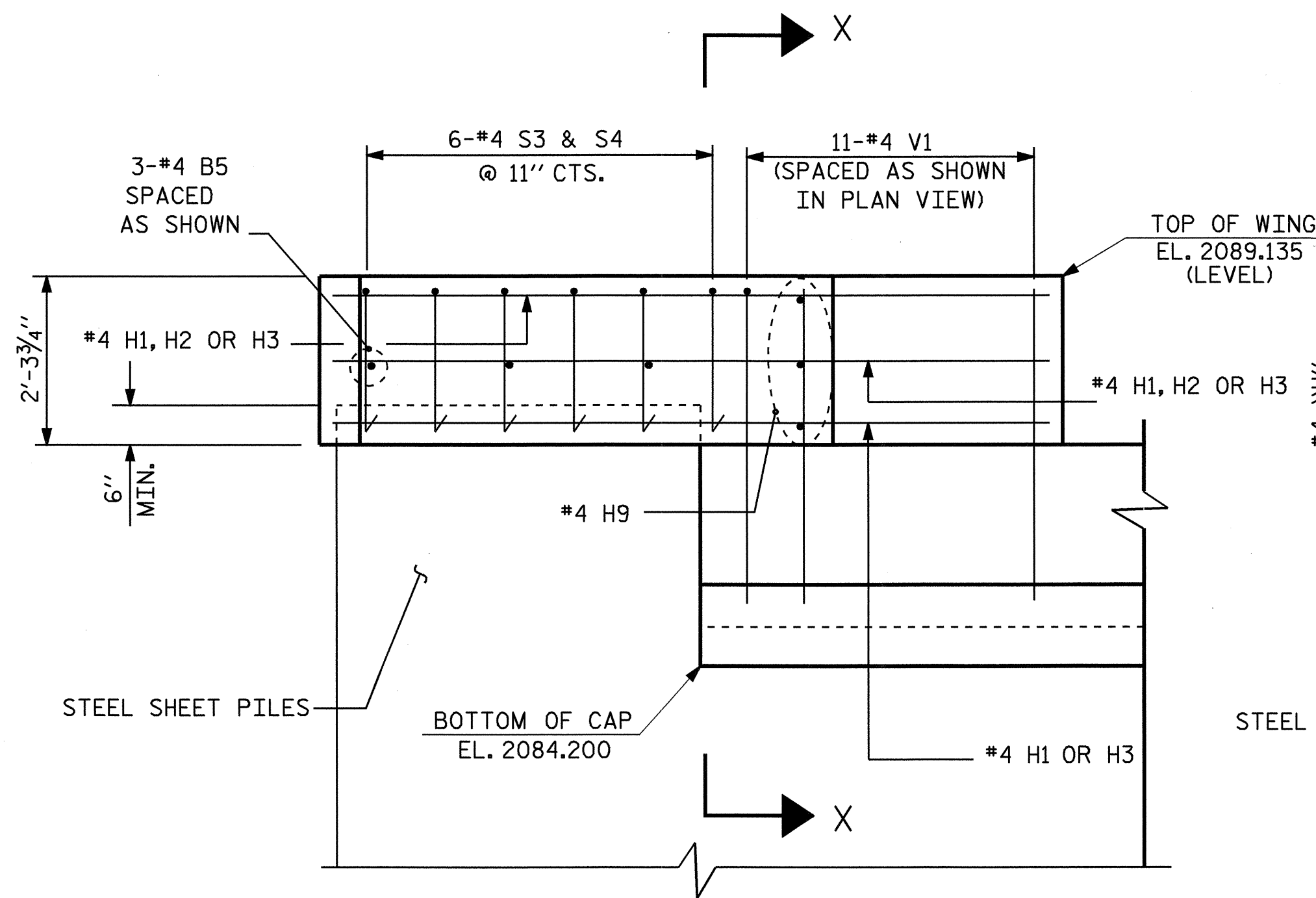
ELEVATION

LATERAL GUIDE DETAILS

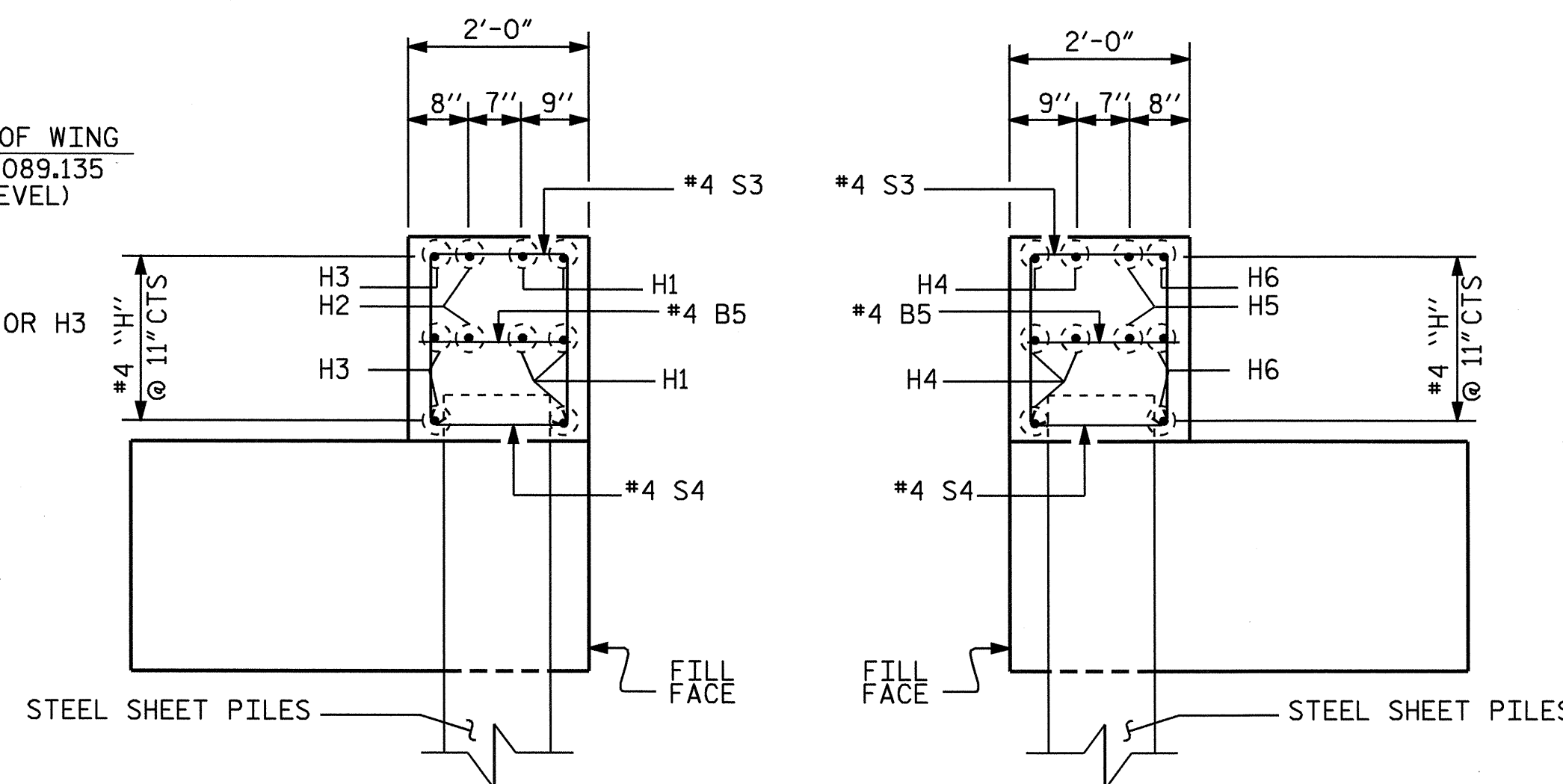
(EACH END SIMILAR)



PLAN OF RIGHT END

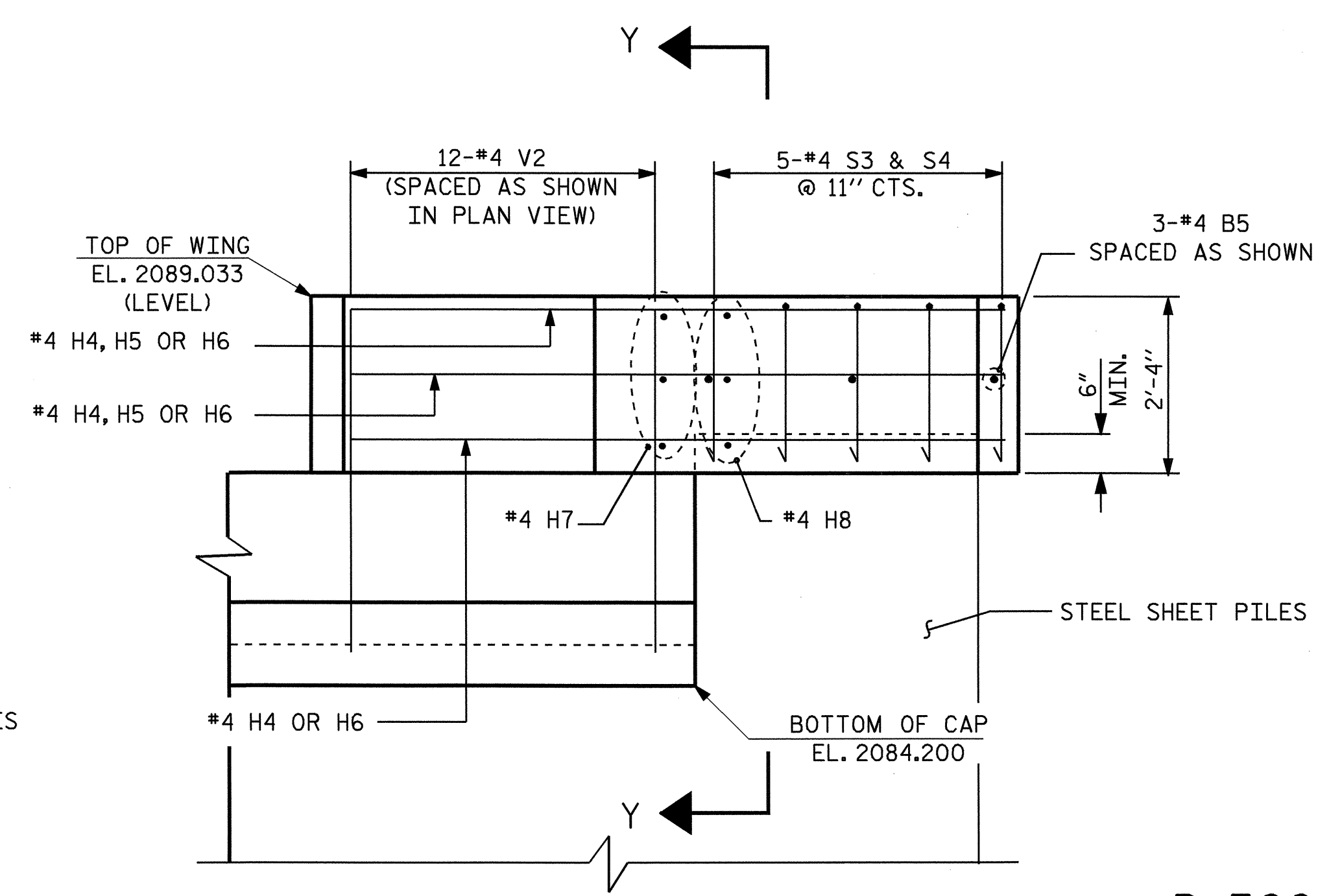


ELEVATION OF LEFT END



SECTION X-X

SECTION Y-Y



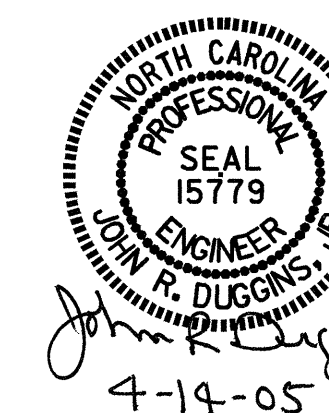
ELEVATION OF RIGHT END

PROJECT NO. B-3663
 HENDERSON COUNTY
 STATION: 12+96.30 -L-

SHEET 2 OF 4

STATE OF NORTH CAROLINA
 DEPARTMENT OF TRANSPORTATION
 RALEIGH

SUBSTRUCTURE
 END BENT No. 1



DRAWN BY: M. POOLE DATE: 02/05
 CHECKED BY: J. R. DUGGINS DATE: 03/05

13-APR-2005 12:33
 R:\STRUCT\B3663\m\poole\MICROS\B3663.sd_E1.01.dgn
 mpoole

REVISIONS						SHEET NO.
NO.	BY:	DATE:	NO.	BY:	DATE:	S-13
1			3			TOTAL SHEETS
2			4			22