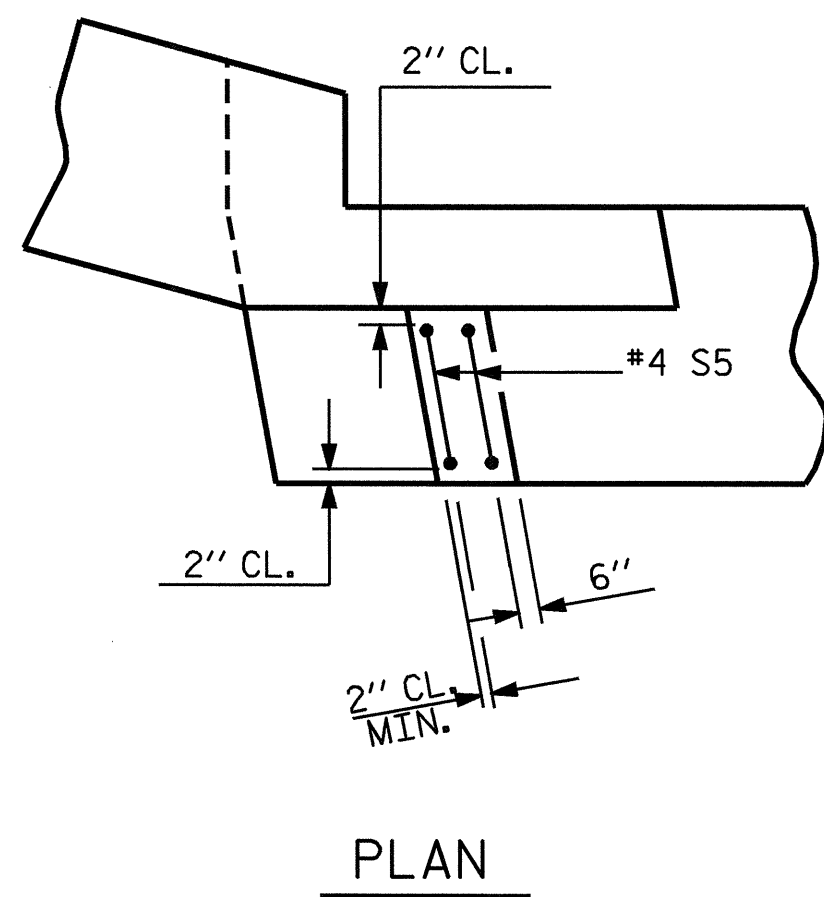
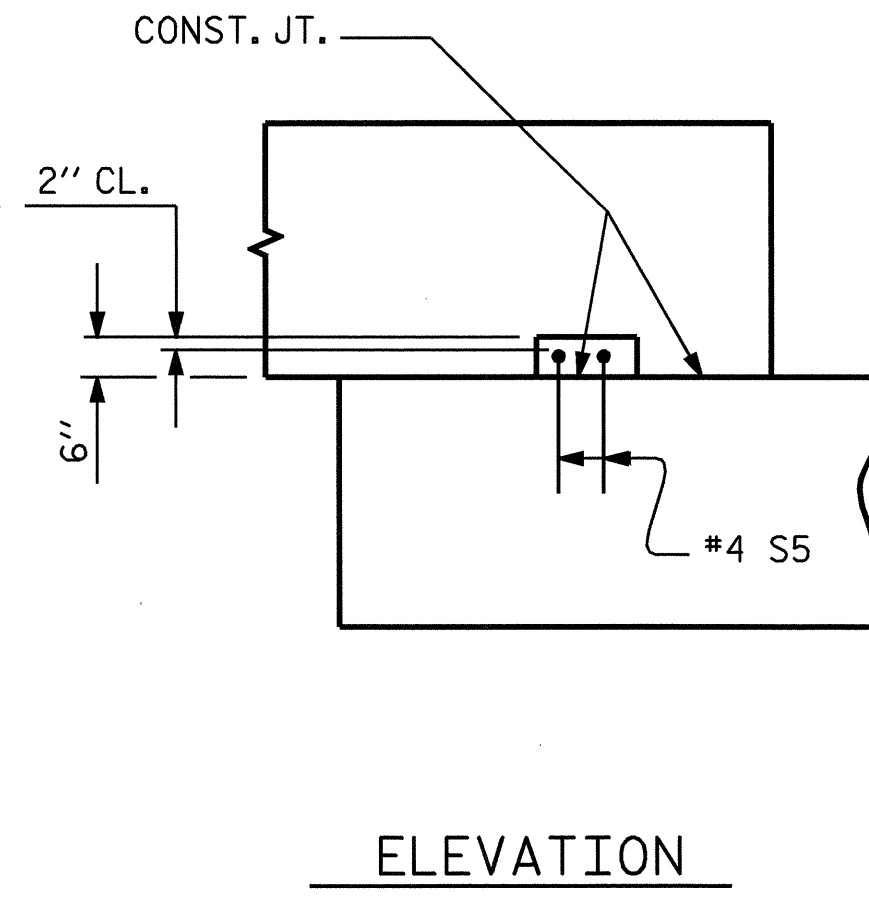


PLAN OF LEFT END



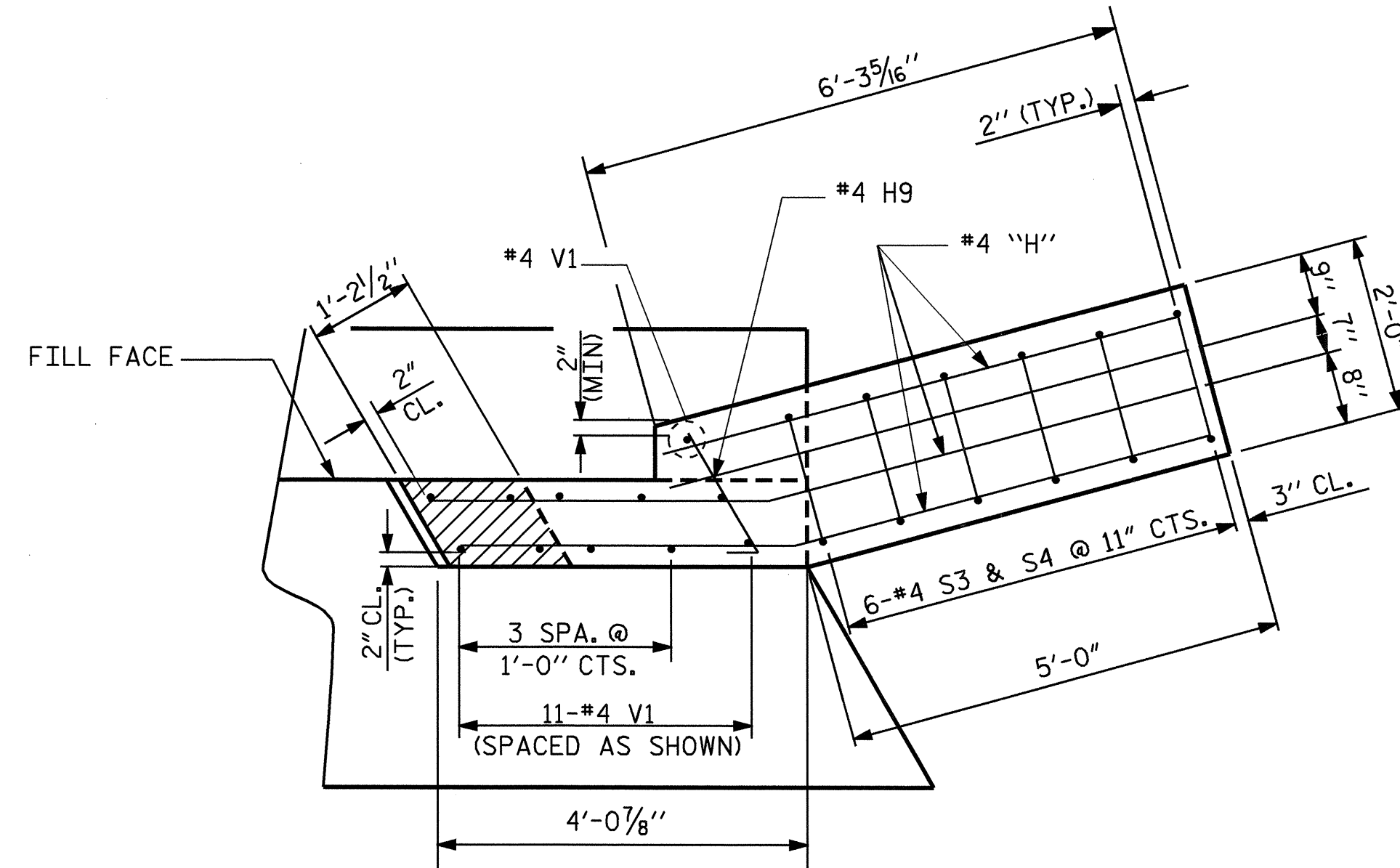
PLAN



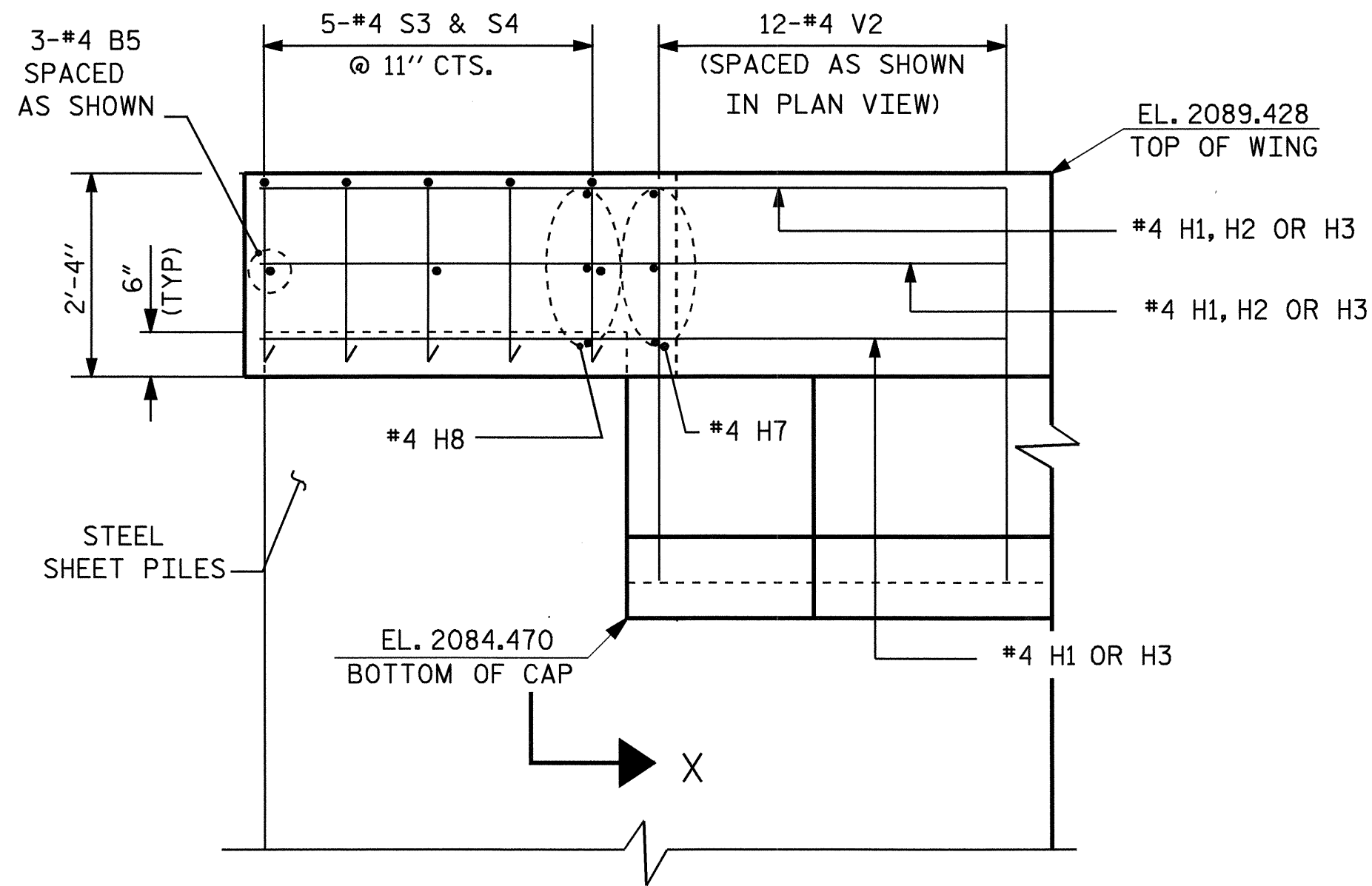
ELEVATION

LATERAL GUIDE DETAILS

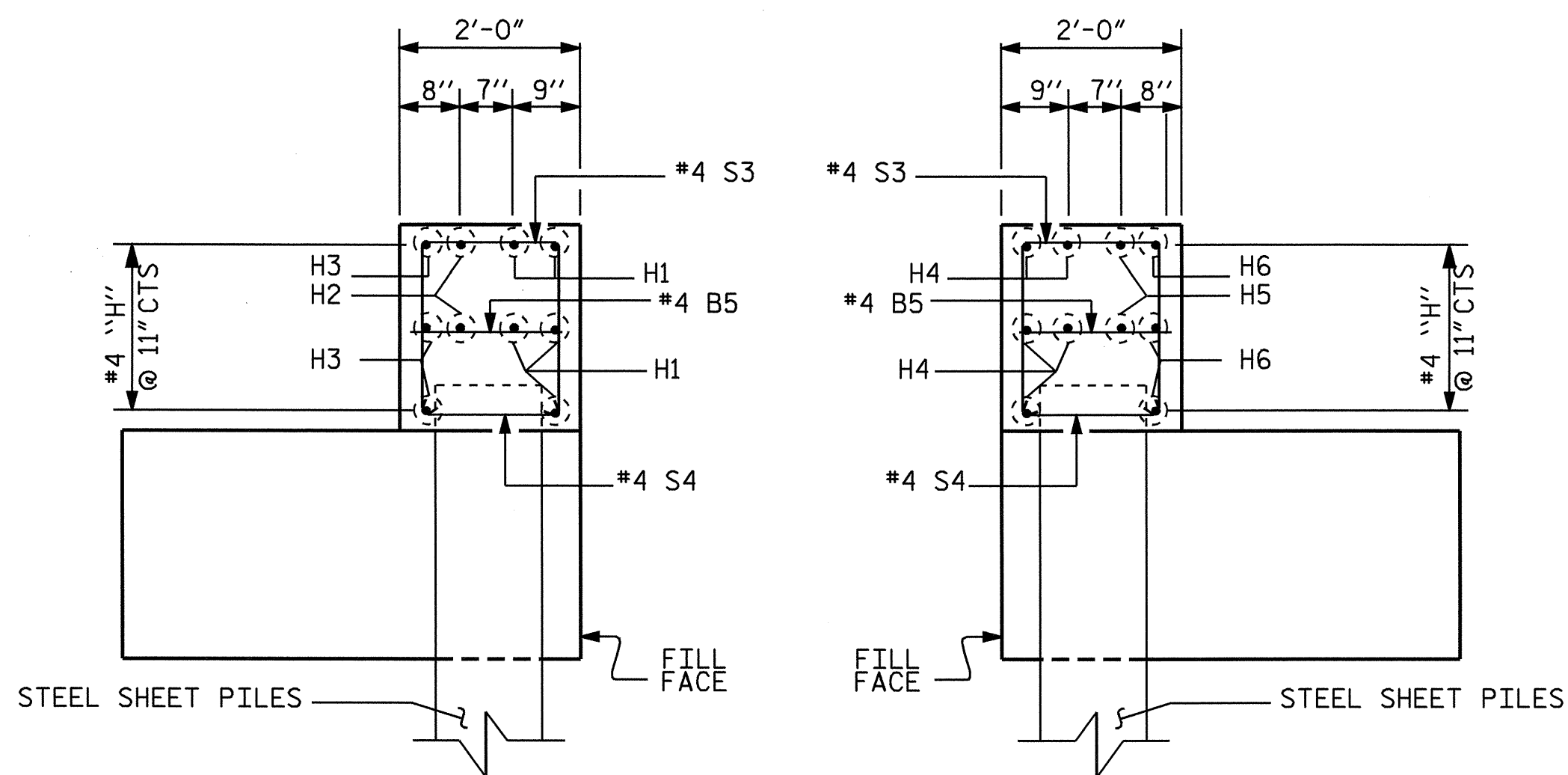
(EACH END SIMILAR)



PLAN OF RIGHT END

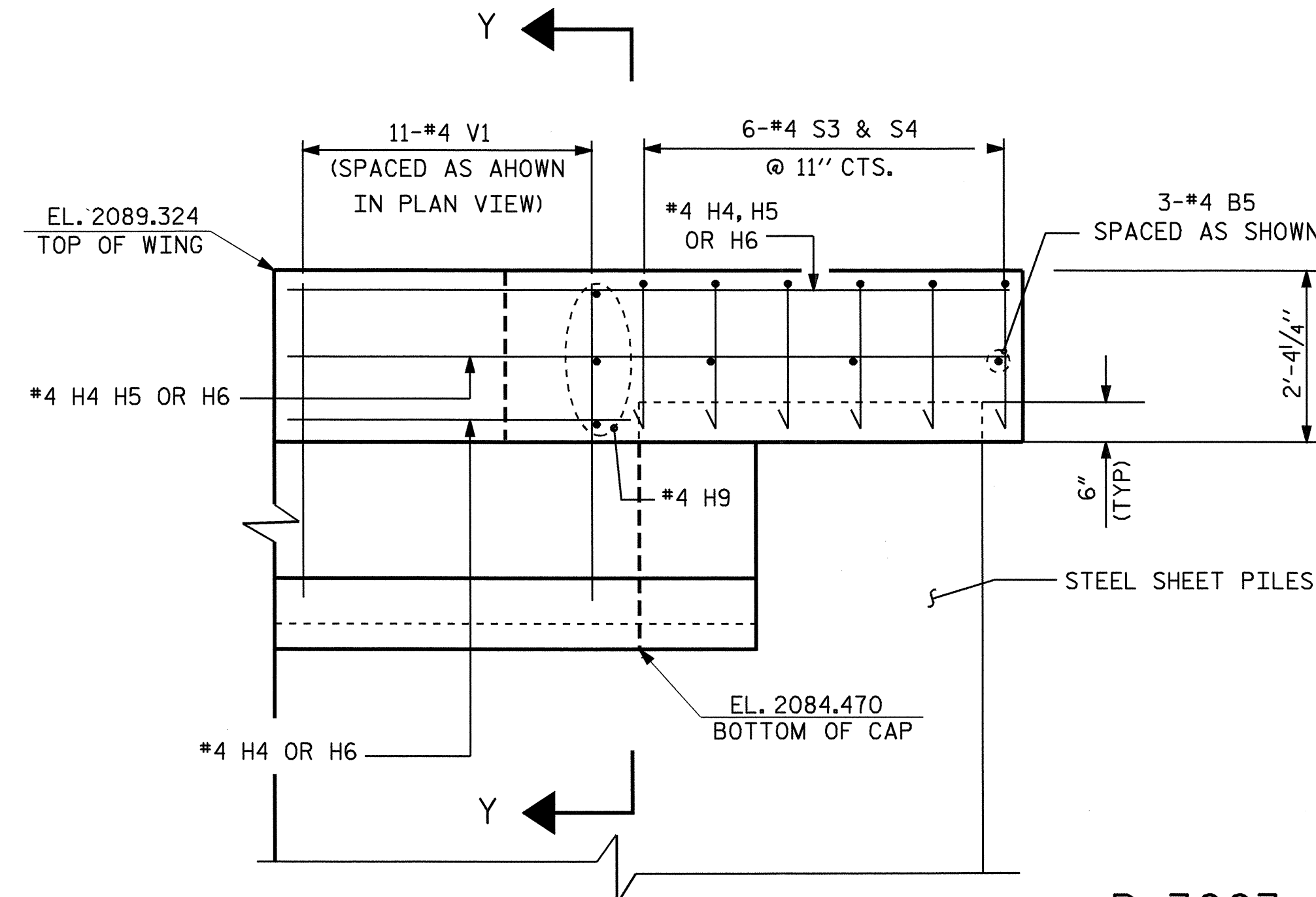


ELEVATION OF LEFT END



SECTION X-X

SECTION Y-Y



ELEVATION OF RIGHT END

PROJECT NO. B-3663  
 HENDERSON COUNTY  
 STATION: 12+96.30 -L-

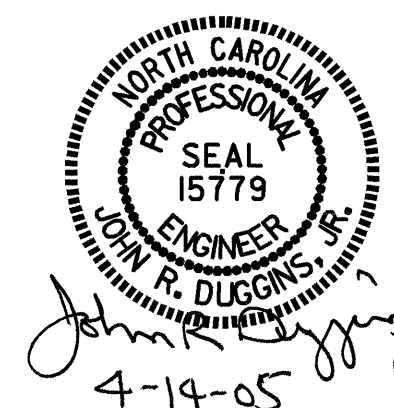
SHEET 2 OF 4

STATE OF NORTH CAROLINA  
 DEPARTMENT OF TRANSPORTATION  
 RALEIGH

SUBSTRUCTURE  
 END BENT No. 2

DRAWN BY: M. POOLE DATE: 02/05  
 CHECKED BY: J. R. DUGGINS DATE: 02/05

13-APR-2005 12:33  
 R:\STRUCT\B3663\m\poole\MICROS\B3663.sd.E2.01.dgn  
 mpoole



REVISIONS						SHEET NO.
NO.	BY:	DATE:	NO.	BY:	DATE:	S-17
1			3			TOTAL SHEETS 22
2			4			