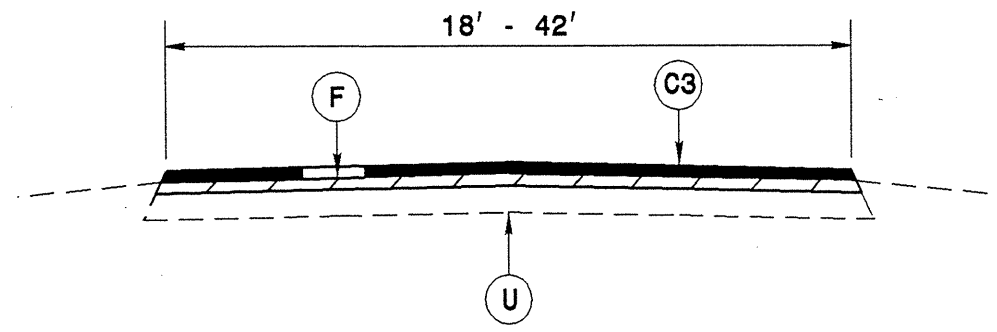
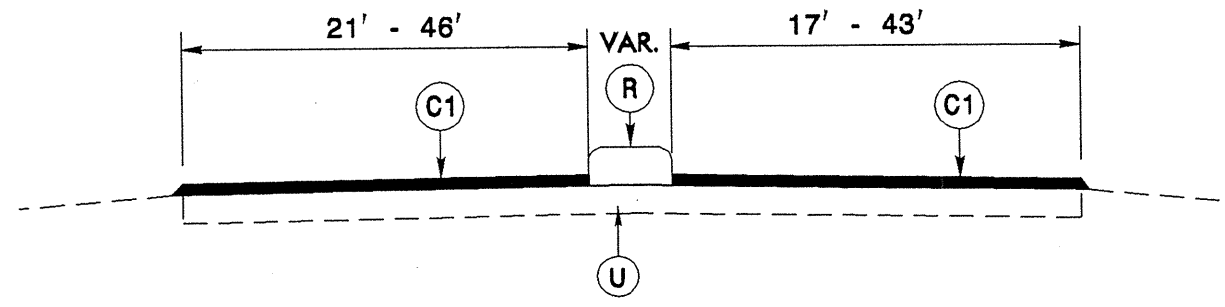


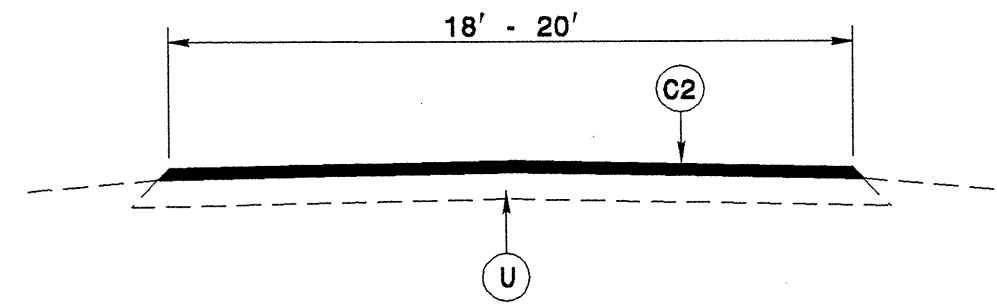
TYPICAL SECTION NO. 1



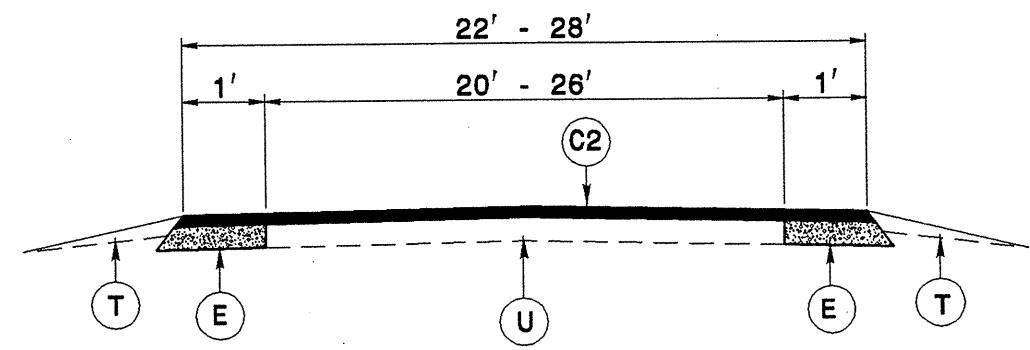
TYPICAL SECTION NO. 5



TYPICAL SECTION NO. 2

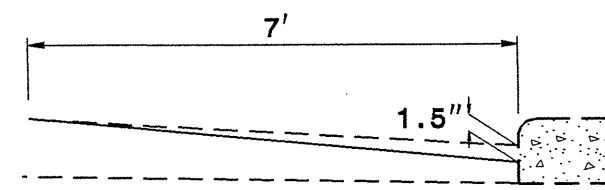


TYPICAL SECTION NO. 6



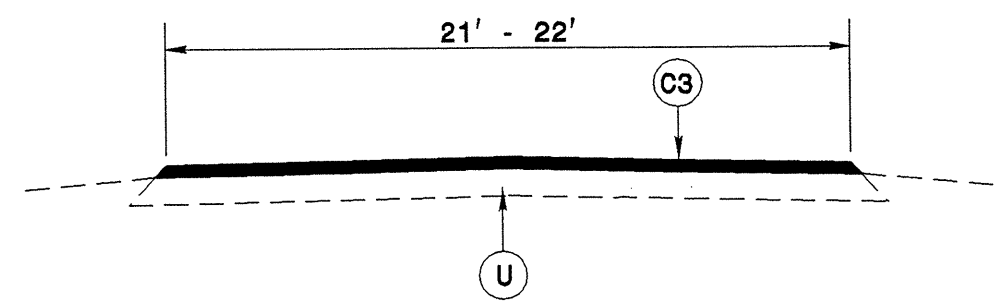
TYPICAL SECTION NO. 3

MILLING DETAIL 1



MILL EXISTING ASPHALT PAVEMENT 0-1.5" AT LOCATIONS AS DIRECTED BY THE ENGINEER

NOTE:
TO BE USED IN CONJUNCTION WITH
TS. NO. 2 ON MAP 2



TYPICAL SECTION NO. 4

PAVEMENT SCHEDULE

C1	PROP. APPROX. 1 1/2" ASPHALT CONCRETE SURFACE COURSE, TYPE S9.5B, AT AN AVERAGE RATE OF 168 LBS. PER SQ. YD.	E	PROP. APPROX. 8" ASPHALT CONCRETE BASE COURSE, TYPE B25.0B, AT AN AVERAGE RATE OF 912 LBS. PER SQ. YD.
C2	PROP. APPROX. 1" ASPHALT CONCRETE SURFACE COURSE, TYPE SF 9.5A, AT AN AVERAGE RATE OF 110 LBS. PER SQ. YD.	F	ASPHALT SURFACE TREATMENT, NO. 78M STONE
C3	PROP. APPROX. 1 1/4" ASPHALT CONCRETE SURFACE COURSE, TYPE S9.5B, AT AN AVERAGE RATE OF 140 LBS. PER SQ. YD.	R	EXISTING CONCRETE ISLAND.
		U	EXISTING PAVEMENT.
		T	SHOULDER RECONSTRUCTION