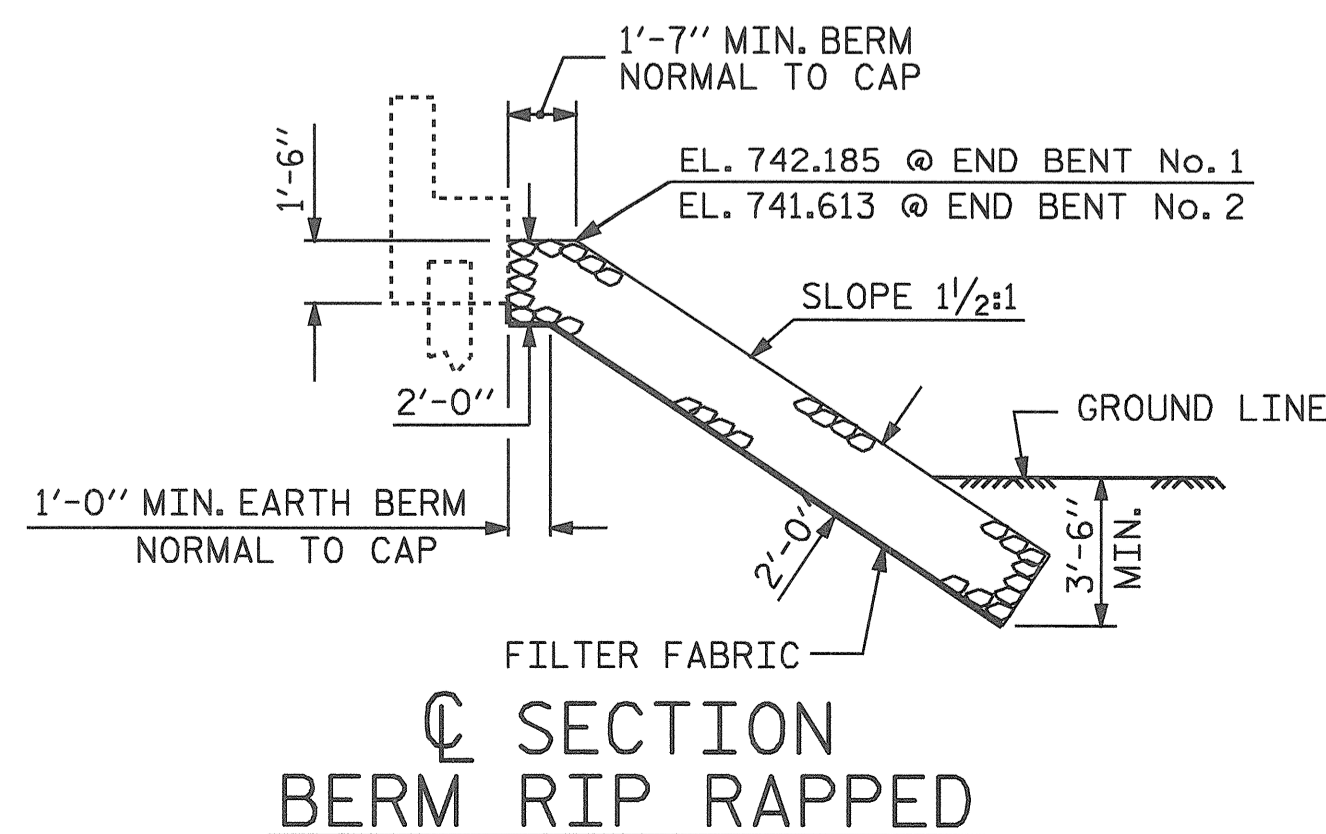


PLAN @ END BENT No. 1

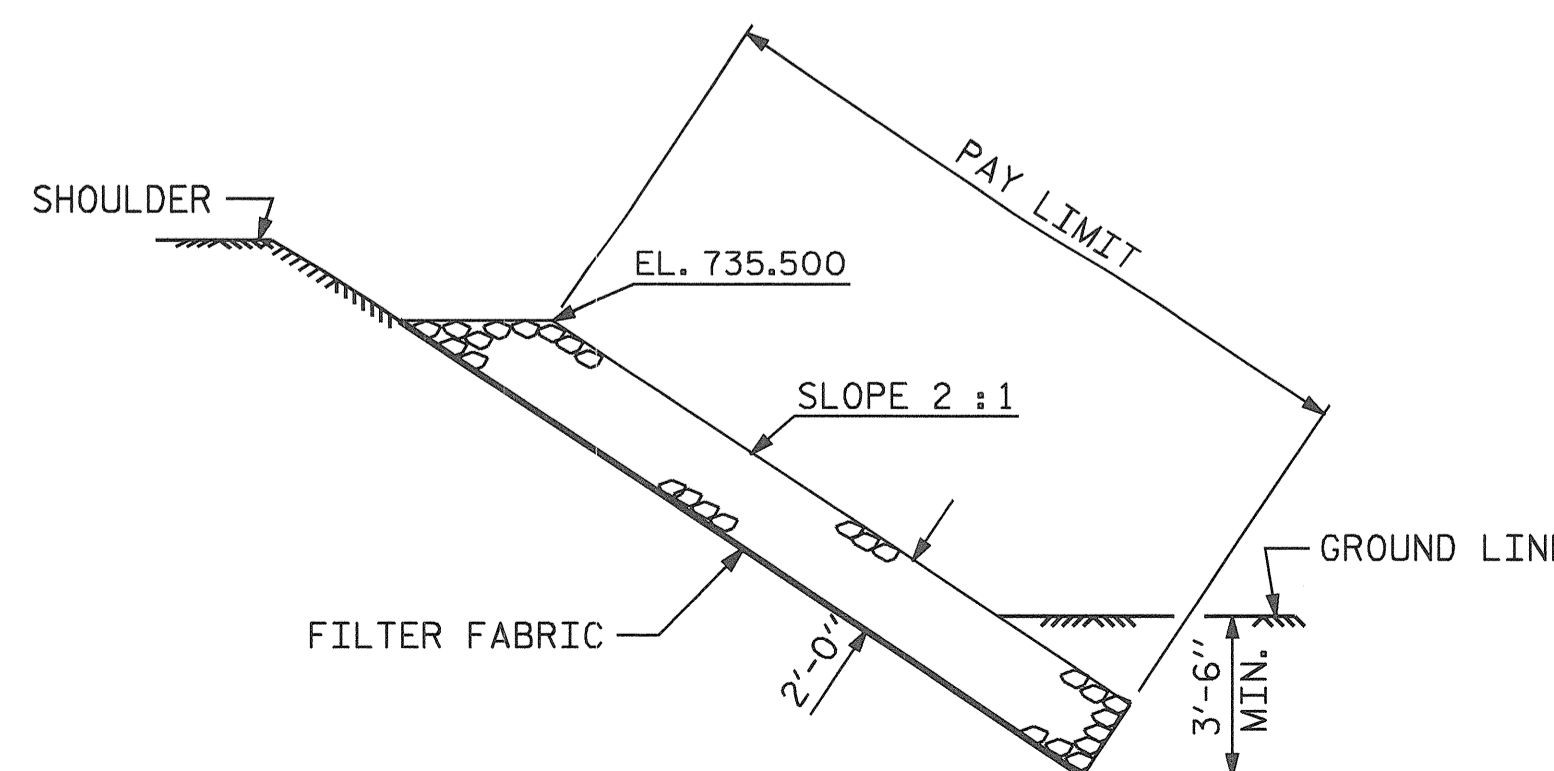
PLAN @ END BENT No. 2

ESTIMATED QUANTITIES		
BRIDGE @ STA. 21+87.50 -L-	PLAIN RIP RAP CLASS II	FILTER FABRIC FOR DRAINAGE
	TONS	SQUARE YARDS
END BENT No. 1	250	278
END BENT No. 2	500	556

PROJECT NO. B-3652
GUILFORD COUNTY
 STATION: 21+87.50 -L-

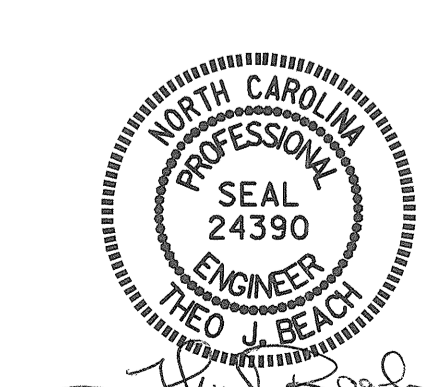


SECTION
BERM RIP RAPPED



SECTION C-C

STATE OF NORTH CAROLINA
 DEPARTMENT OF TRANSPORTATION
 RALEIGH
 STANDARD
 RIP RAP DETAILS



REVISIONS						SHEET NO. S-34 TOTAL SHEETS 42
NO.	BY:	DATE:	NO.	BY:	DATE:	
1			3			
2			4			

DRAWN BY: P.C. BREWER DATE: 3/10/04
 CHECKED BY: C.H. SIMPSON DATE: 5/10/04