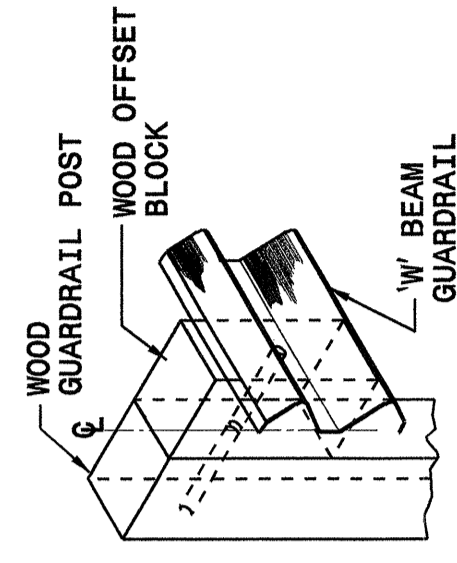


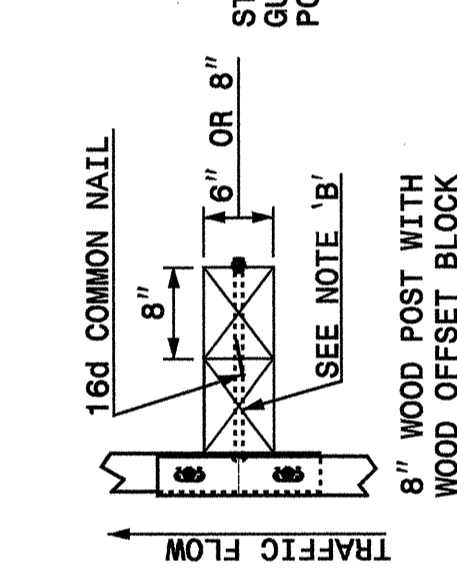
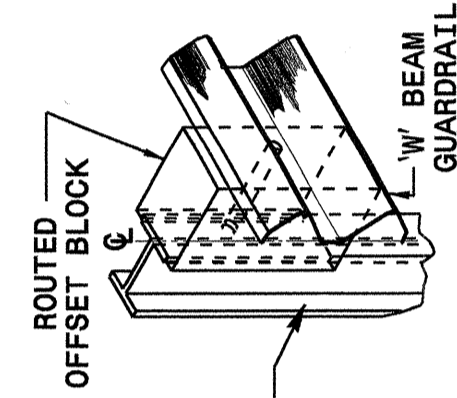
STATE OF NORTH CAROLINA  
 DEPT. OF TRANSPORTATION  
 DIVISION OF HIGHWAYS  
 RALEIGH, N.C.

ENGLISH DETAIL DRAWING FOR  
 GUARDRAIL INSTALLATION

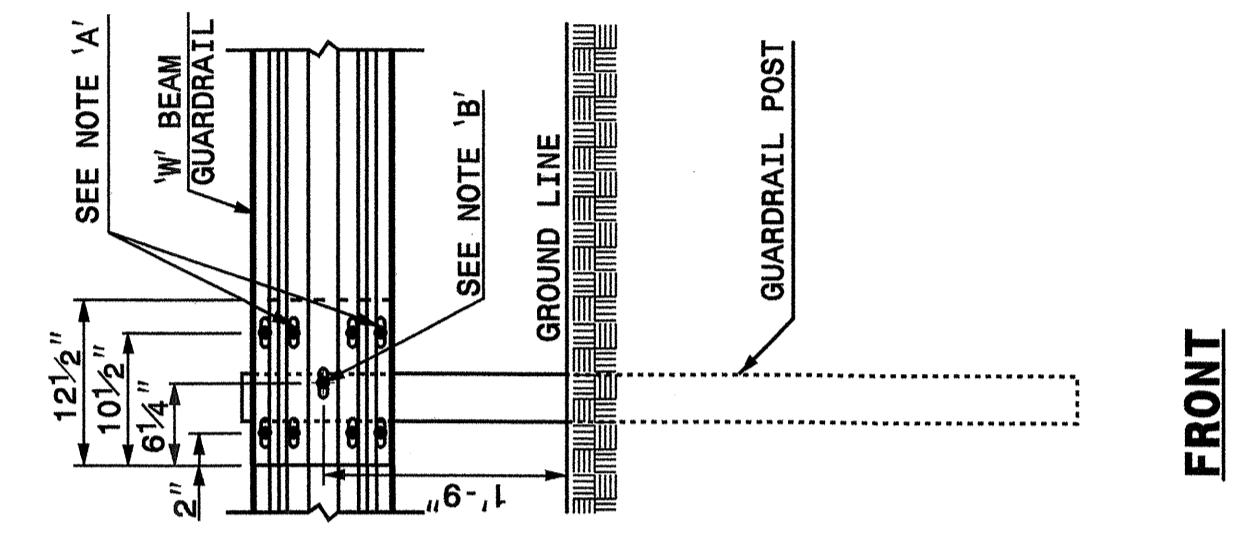
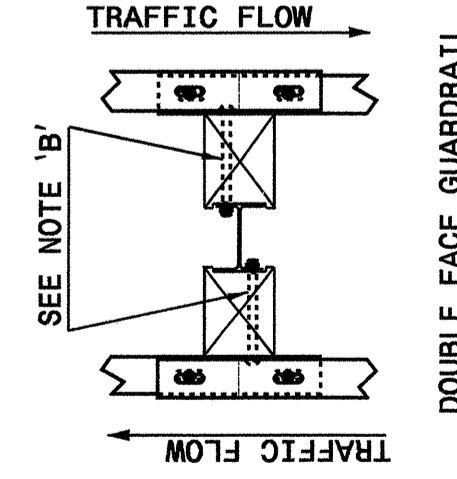
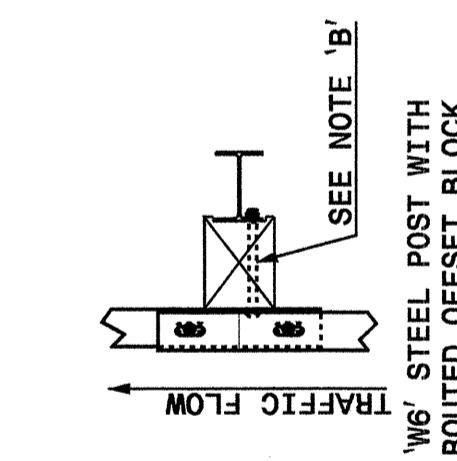
SHEET 3 OF 7  
 862D02



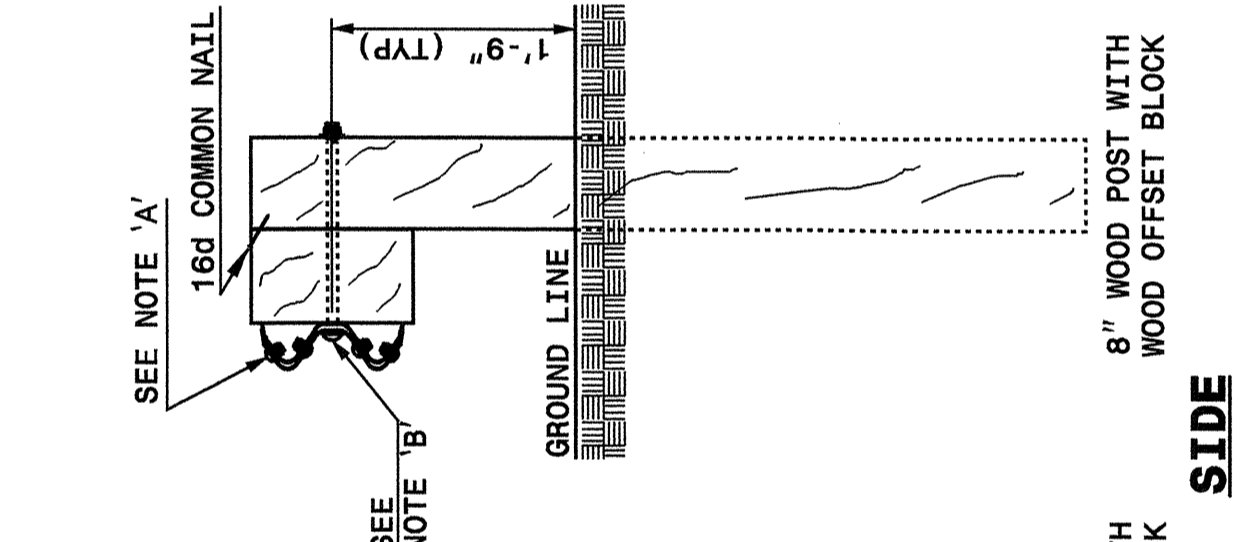
ISOMETRIC VIEWS



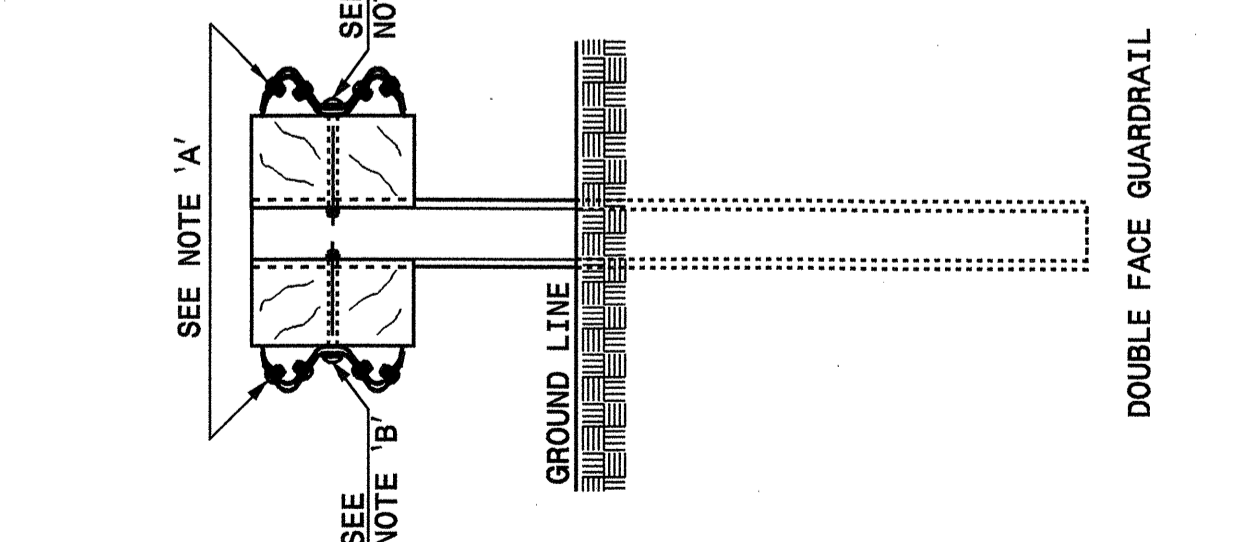
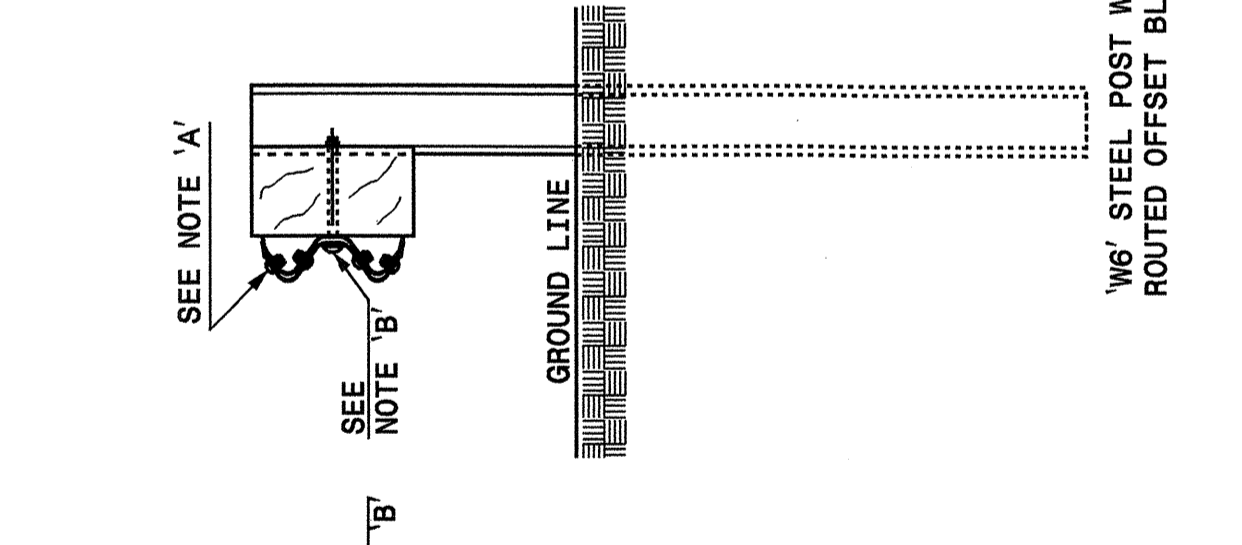
PLAN



FRONT



SIDE



STATE OF NORTH CAROLINA  
 DEPT. OF TRANSPORTATION  
 DIVISION OF HIGHWAYS  
 RALEIGH, N.C.

ENGLISH DETAIL DRAWING FOR  
 GUARDRAIL INSTALLATION

SHEET 3 OF 7  
 862D02

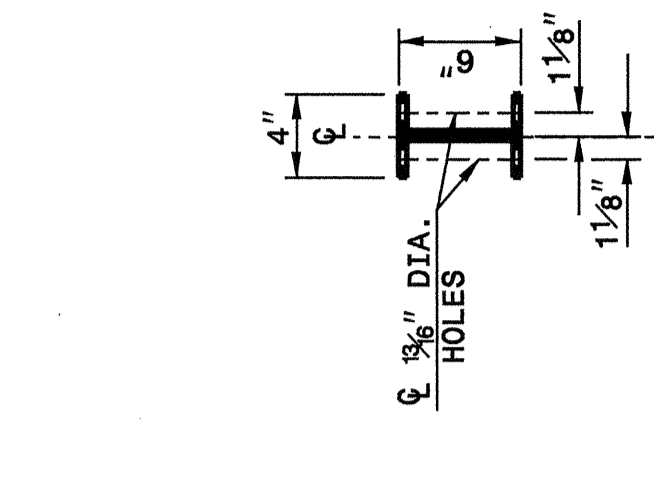
- NOTES:  
 A - 5/8" DIA. BUTTON HEAD SPICE BOLT 1 1/4" LONG (8 REQ. PER SPLICE JOINT).  
 B - 5/8" DIA. BUTTON HEAD BOLT 7 1/2" / 9" LONG WITH NUT FOR BOLTING 6" / 8" ROUTED OFFSET BLOCK TO STEEL POSTS OR 5/8" DIA. BUTTON HEAD BOLT 18" LONG WITH STD. WASHER UNDER NUT FOR BOLTING TO WOOD POSTS (1 REQ. PER LOCATION)  
 C - FIELD PUNCHING OF HOLES INTO GUARDRAIL SHALL BE AS DIRECTED BY THE ENGINEER.

TYPICAL GUARDRAIL AND GUARDRAIL POST ALTERNATIVES

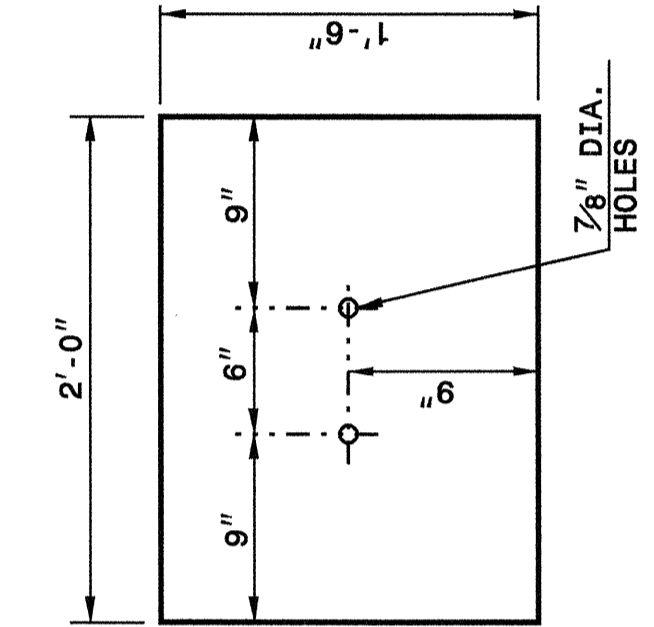
STATE OF NORTH CAROLINA  
 DEPT. OF TRANSPORTATION  
 DIVISION OF HIGHWAYS  
 RALEIGH, N.C.

ENGLISH DETAIL DRAWING FOR  
 GUARDRAIL INSTALLATION

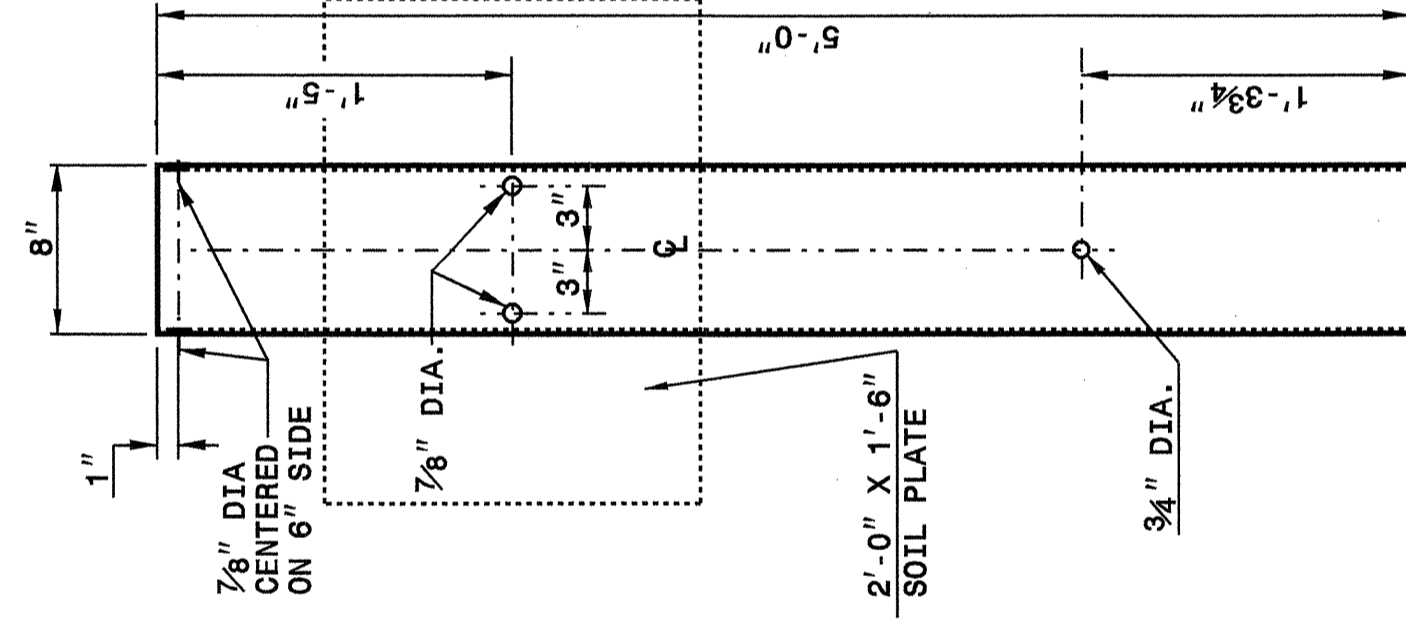
SHEET 4 OF 7  
 862D02



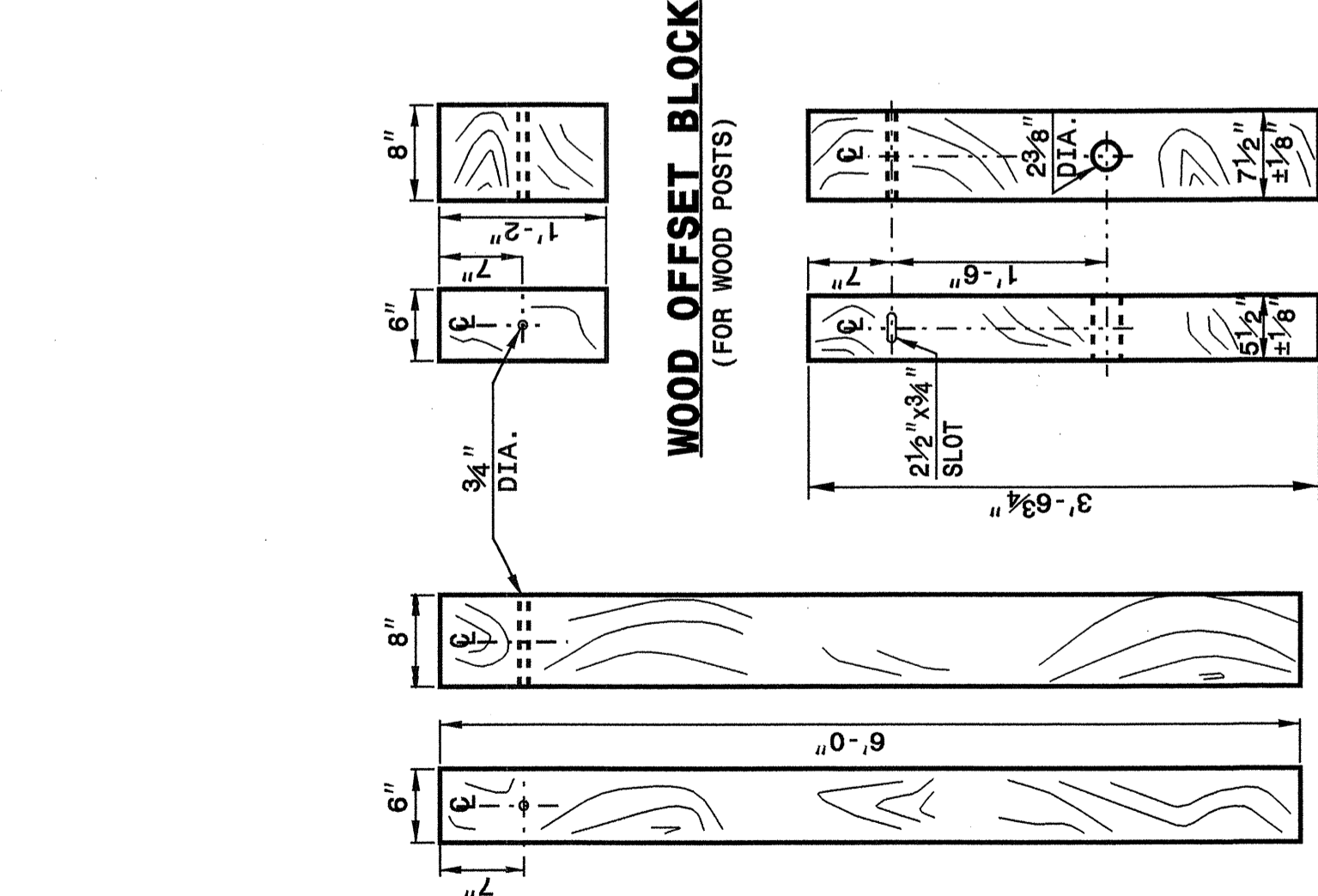
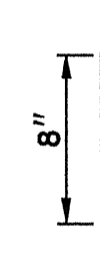
SOIL PLATE  
 1/4" THICK PLATE



STEEL TUBE  
 TS 6 X 8 X 0.1875



BEARING PLATE  
 5/8" THICK PLATE



WOOD OFFSET BLOCK  
 (FOR WOOD POSTS)

SHORT WOOD  
 BREAKAWAY POST

STATE OF NORTH CAROLINA  
 DEPT. OF TRANSPORTATION  
 DIVISION OF HIGHWAYS  
 RALEIGH, N.C.

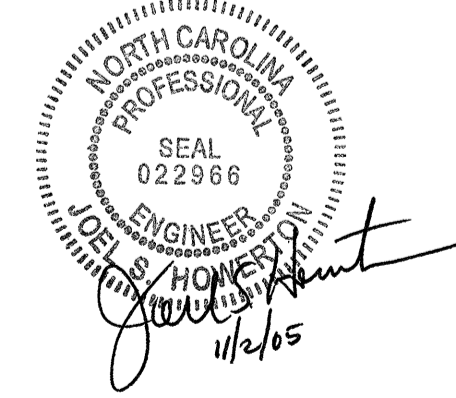
ENGLISH DETAIL DRAWING FOR  
 GUARDRAIL INSTALLATION

SHEET 4 OF 7  
 862D02

PROJECT SERVICES UNIT  
 STANDARDS AND SPECIAL DESIGN  
 Office 919-250-4128 FAX 919-250-4119

SEE PLATE FOR TITLE

ORIGINAL BY: 2002 STD.862.02 DATE: 02-09-03  
 MODIFIED BY: E.E. WARD DATE: 10/21/04  
 CHECKED BY: DATE: 10/21/04  
 FILE SPEC.: /usr/stds/02todetail/engLish/862D02/862D02.dgn



I9-QCT-2004, 11:39  
 W:\Special Details\enr\enr\stds\02\Stds to Special Details\english\862D02\0862d02.dgn  
 Eric Ward R1 05/21/05