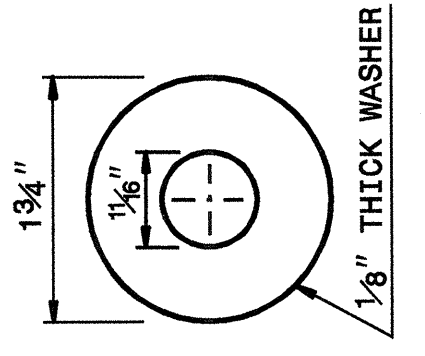
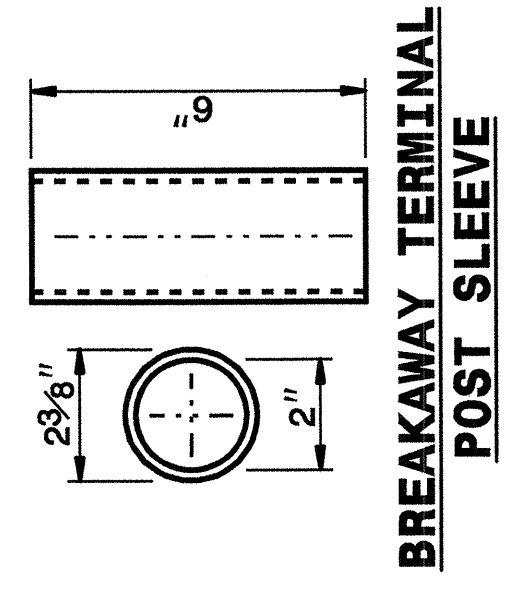
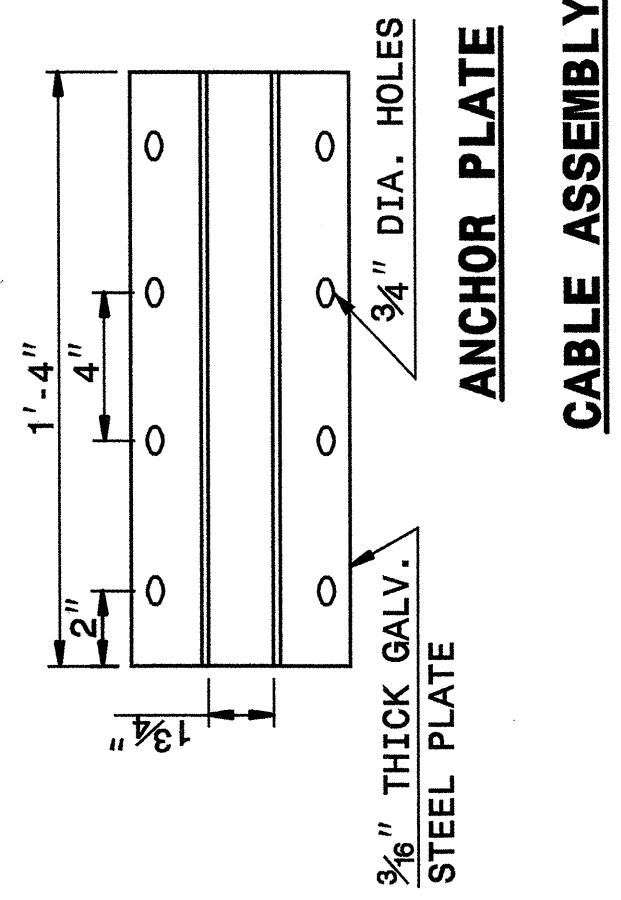
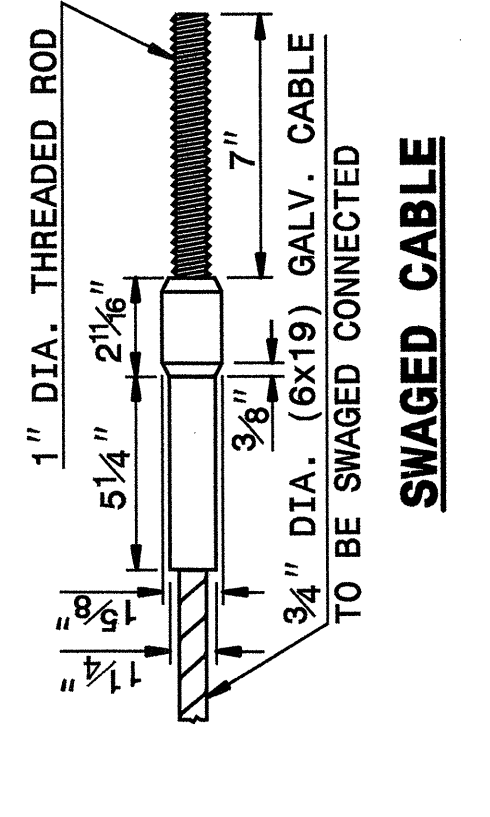
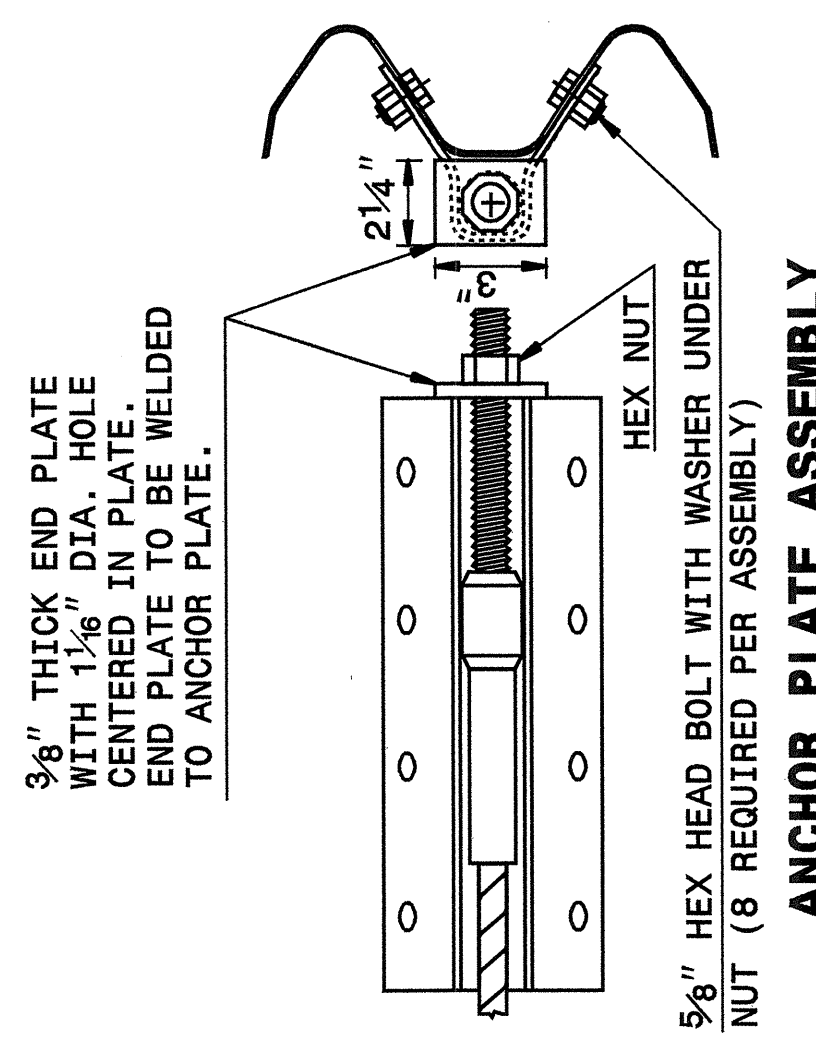


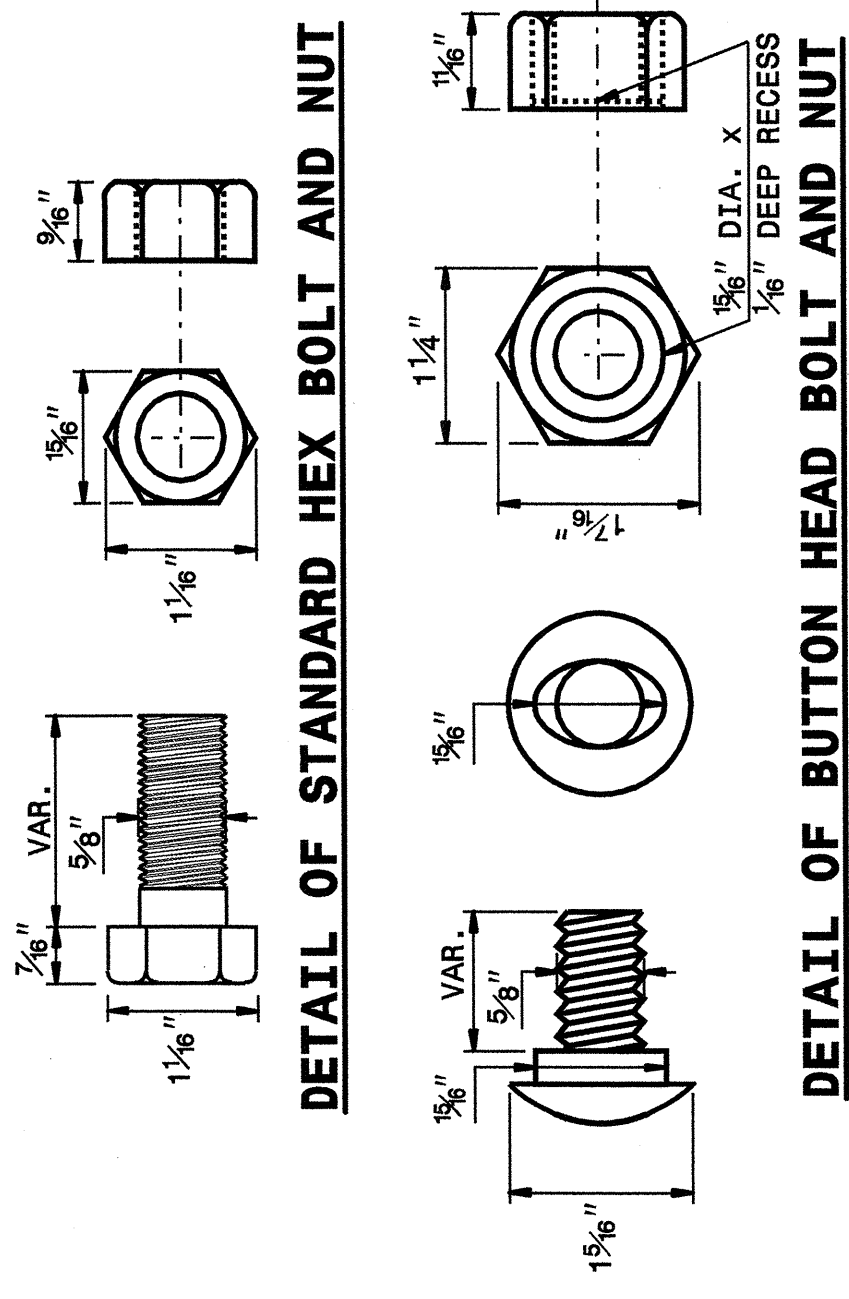
STATE OF NORTH CAROLINA DEPT. OF TRANSPORTATION DIVISION OF HIGHWAYS RALEIGH, N.C.

ENGLISH DETAIL DRAWING FOR GUARDRAIL INSTALLATION

SHEET 5 OF 7
862D02



STANDARD WASHER: TYPICAL USE UNDER NUT WITH WOOD POST



SYSTEM PARTS

STATE OF NORTH CAROLINA DEPT. OF TRANSPORTATION DIVISION OF HIGHWAYS RALEIGH, N.C.

ENGLISH DETAIL DRAWING FOR GUARDRAIL INSTALLATION

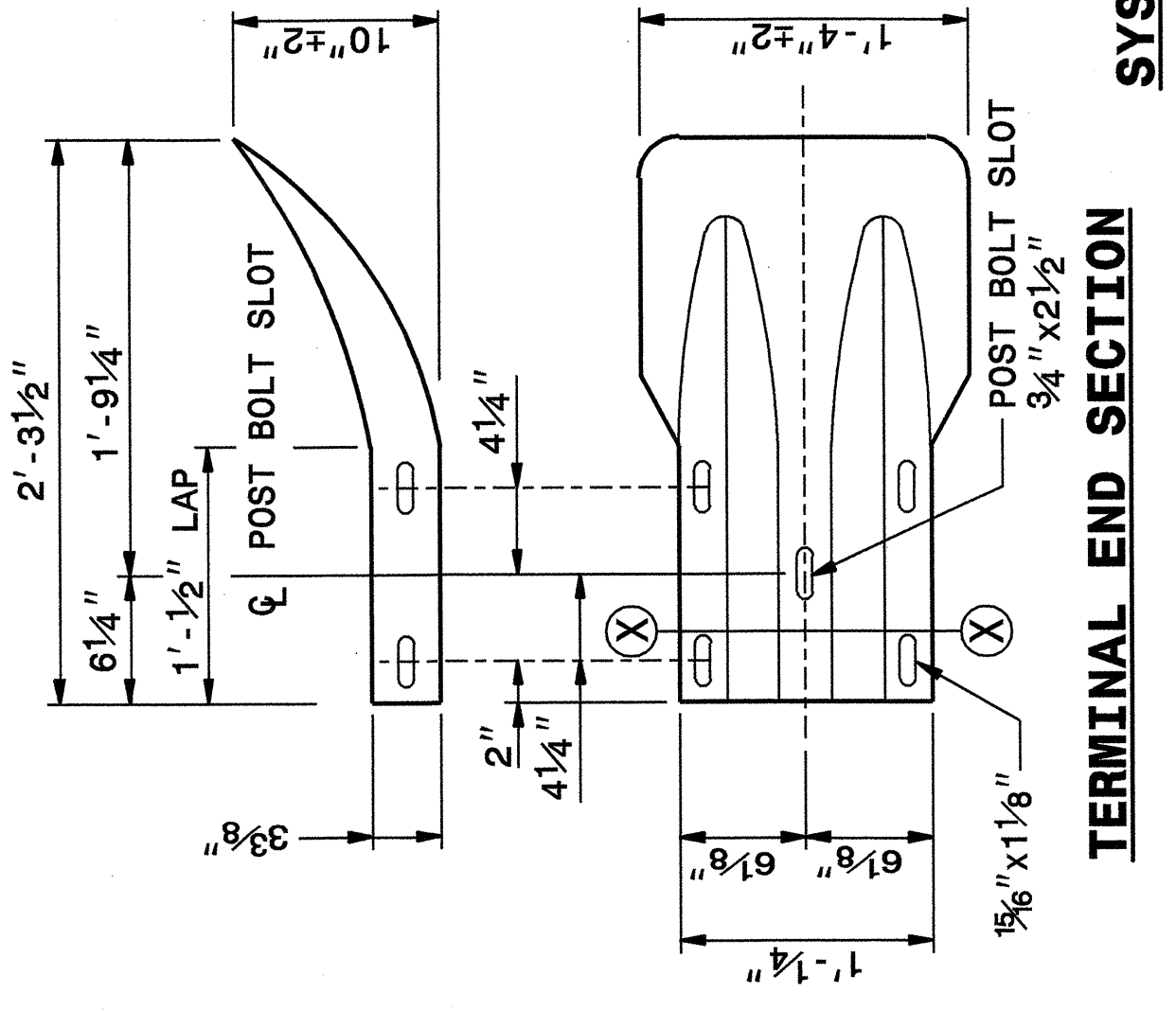
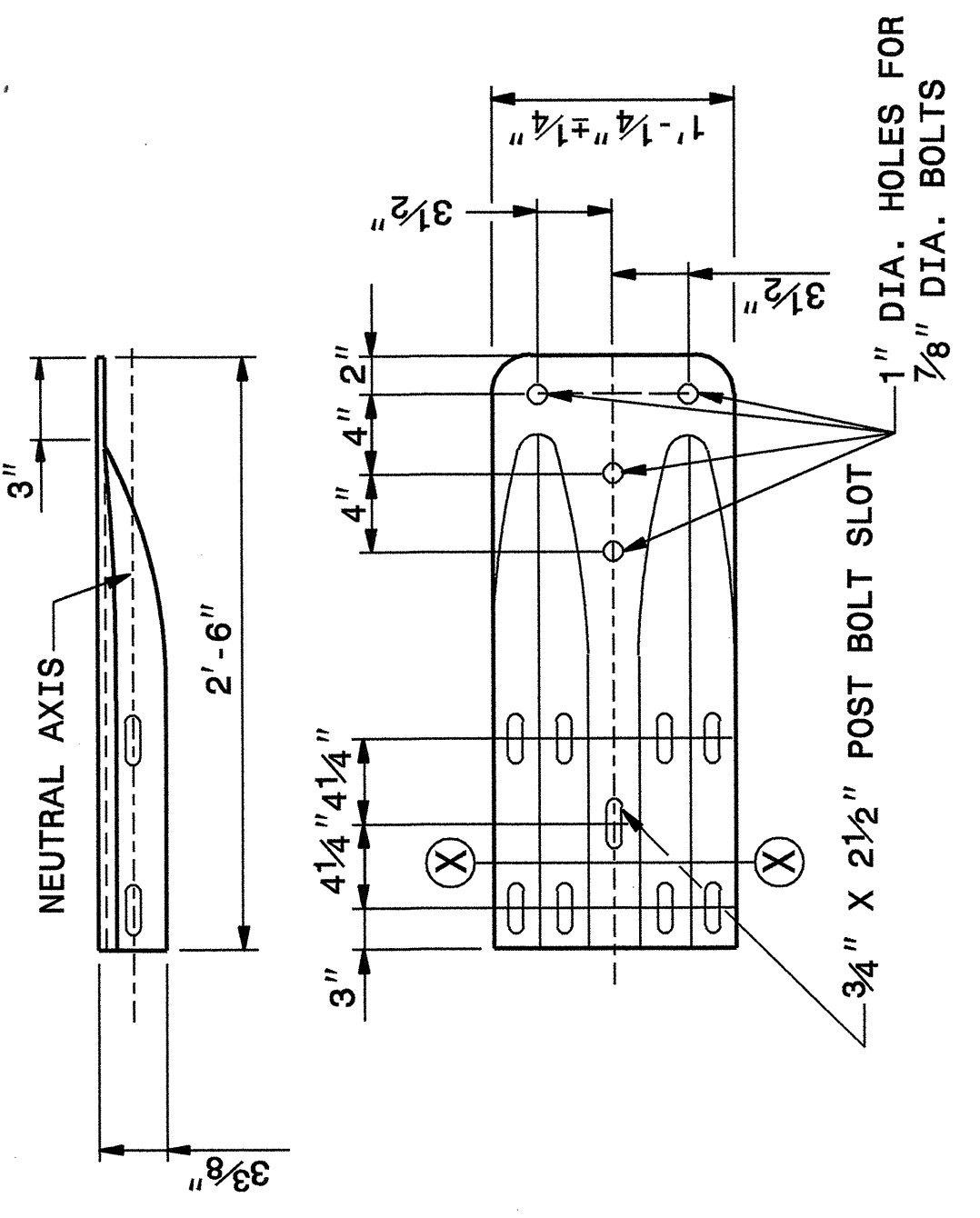
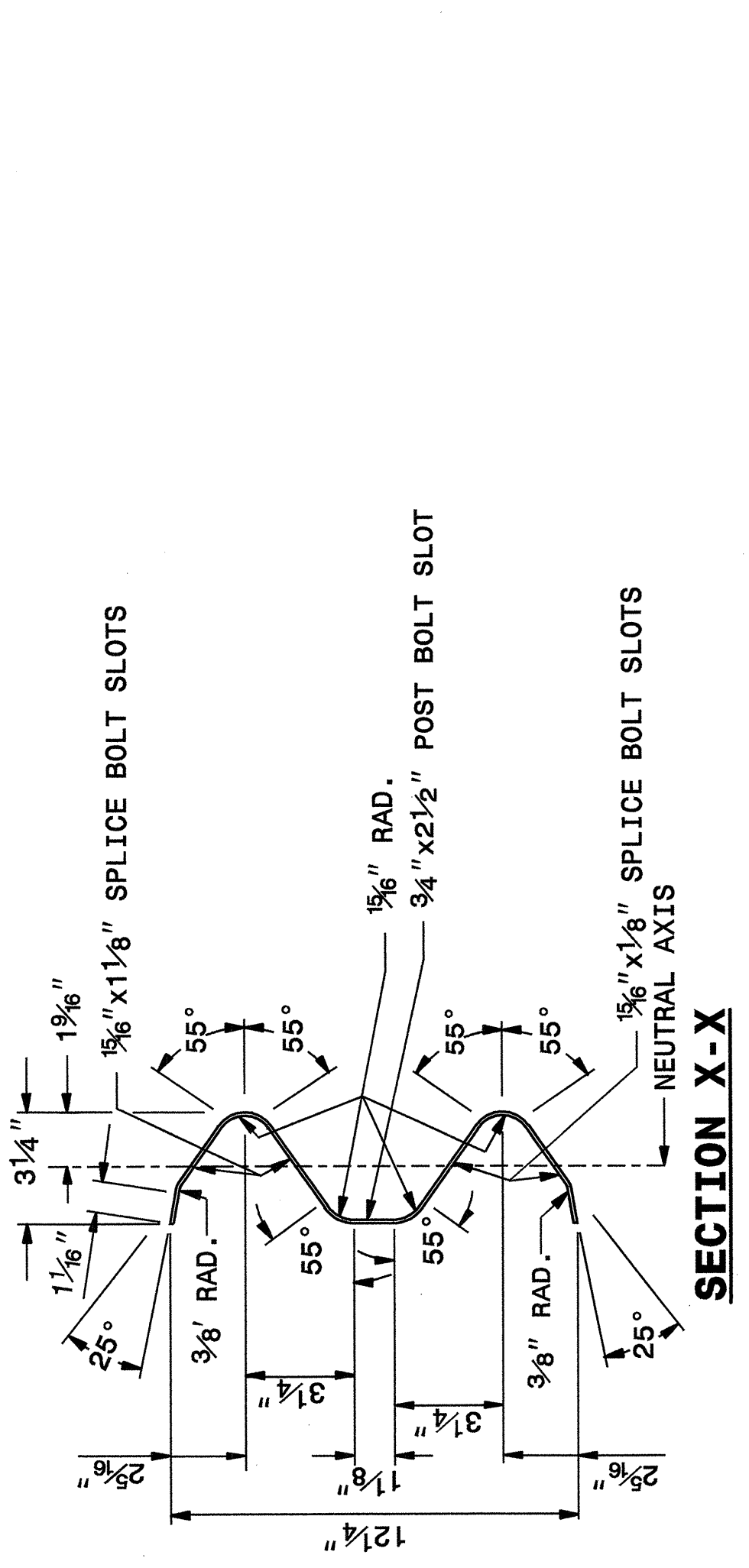
SHEET 5 OF 7
862D02

19-OCT-2004 11:39 W:\Special\Detail\862d02\stds\02\stds\english\862d02\0862d02.dgn

STATE OF NORTH CAROLINA DEPT. OF TRANSPORTATION DIVISION OF HIGHWAYS RALEIGH, N.C.

ENGLISH DETAIL DRAWING FOR GUARDRAIL INSTALLATION

SHEET 6 OF 7
862D02



SYSTEM PARTS - GENERAL USE

PROJECT SERVICES UNIT STANDARDS AND SPECIAL DESIGN Office 919-250-4128 FAX 919-250-4119

SEE PLATE FOR TITLE

ORIGINAL BY: 2002 STD.862.02 DATE: MODIFIED BY: E.E. WARD DATE: 02-09-03 CHECKED BY: *E.E. Ward* DATE: 10/21/04 FILE SPEC.: /usr/stds/02stdetail/english/86202/862d02.dgn

