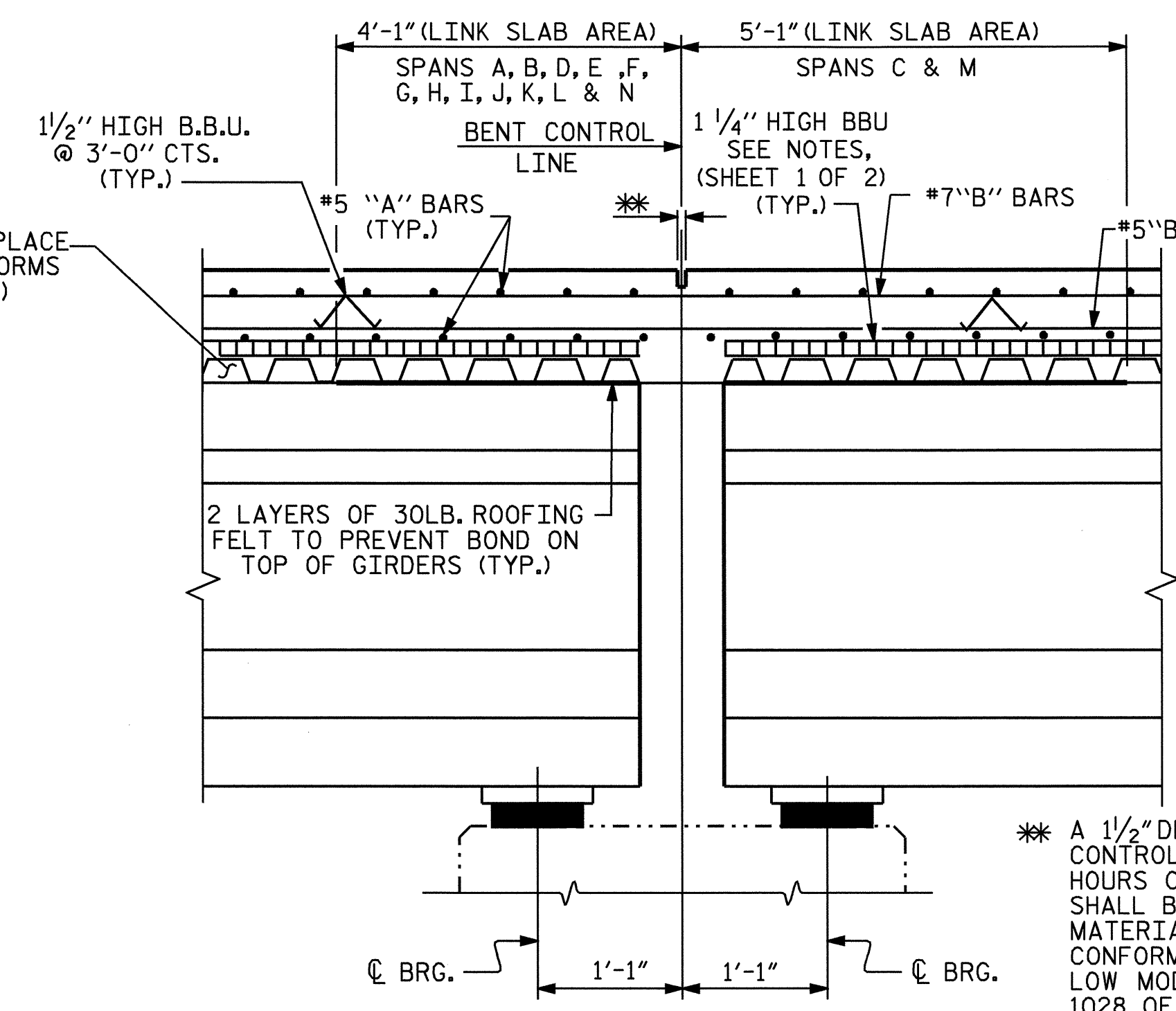
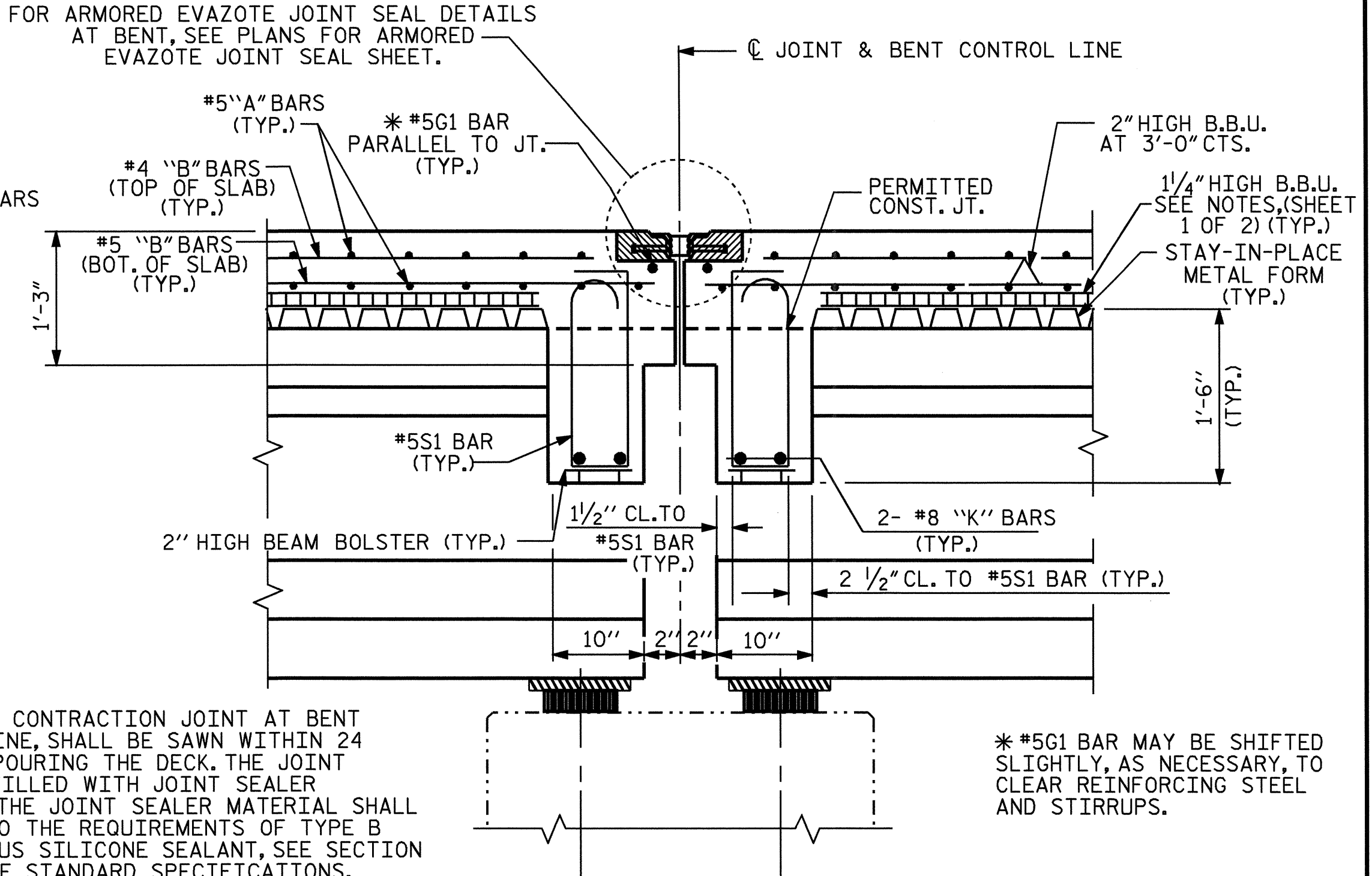


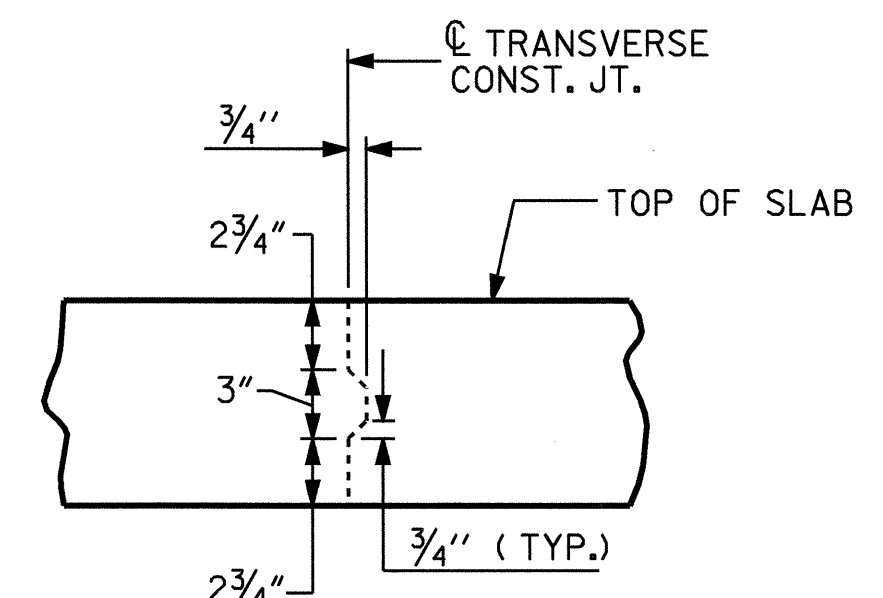
SECTION @ END BENT DIAPHRAGM



SECTION @ LINK SLAB
(BENT #1-#4, BENT #6-#8 & BENT #10-#13)

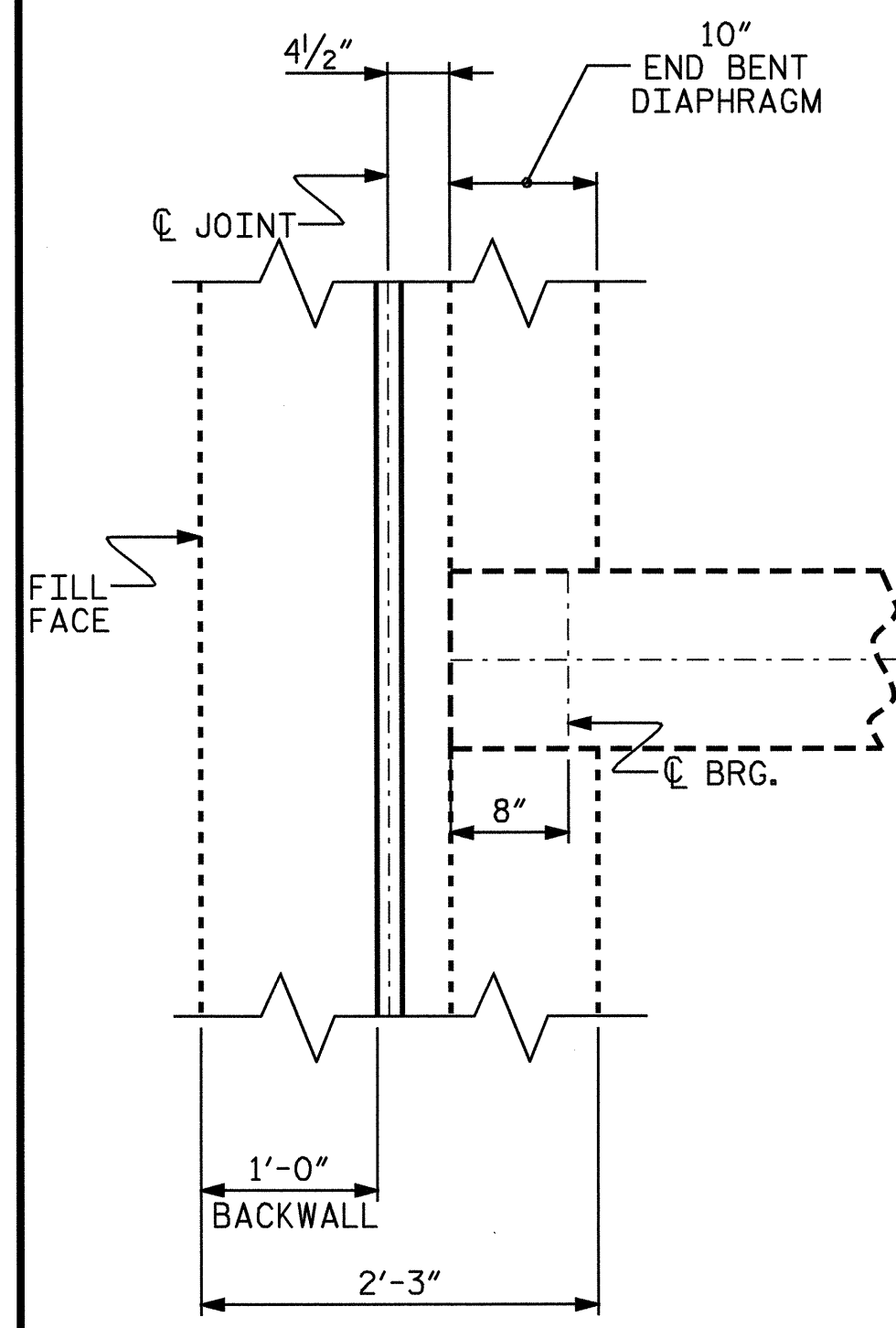


SECTION @ BENT DIAPHRAGM
(BENT #5 & BENT #9)

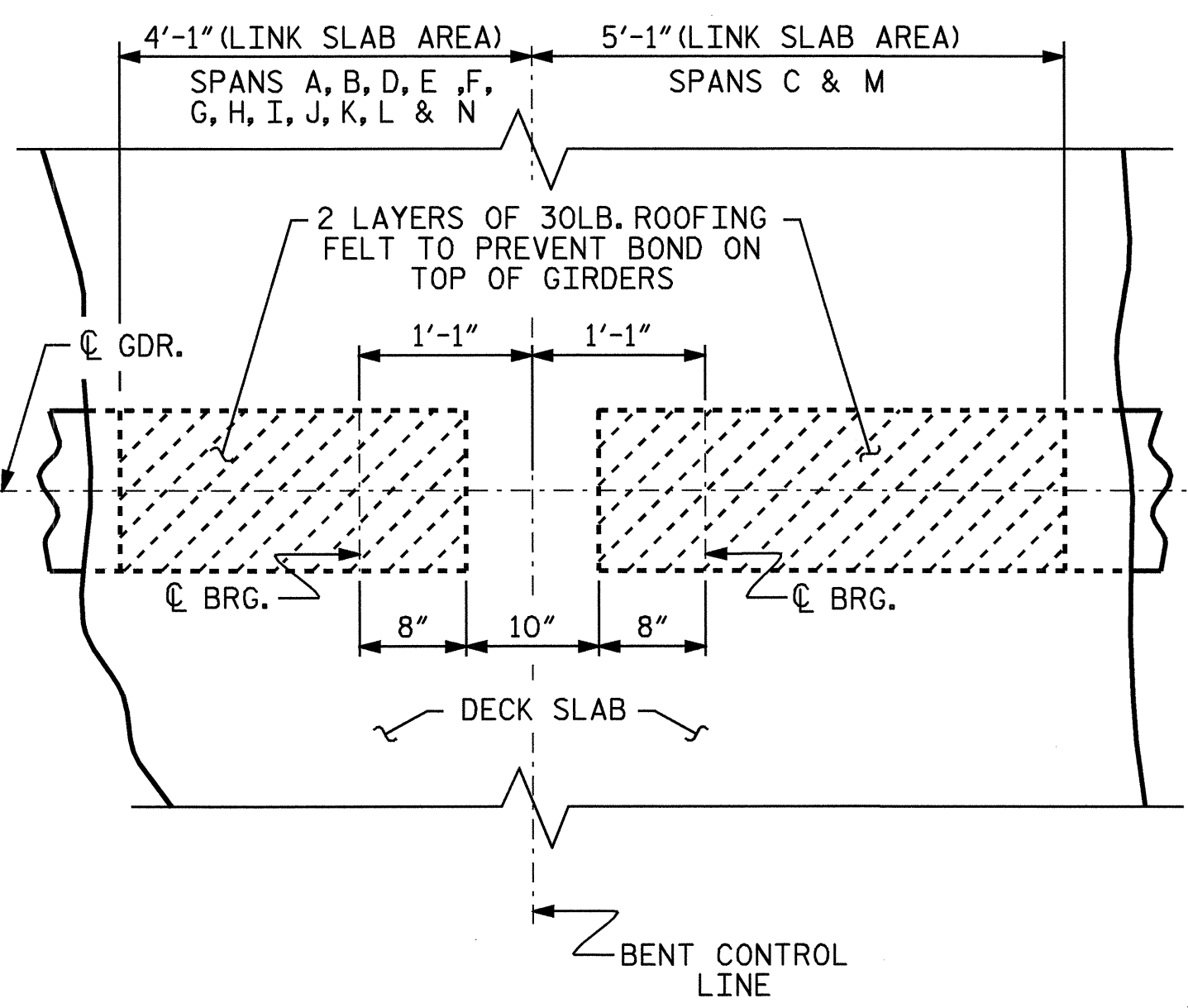


PERMITTED TRANSVERSE CONSTRUCTION JOINT DETAIL

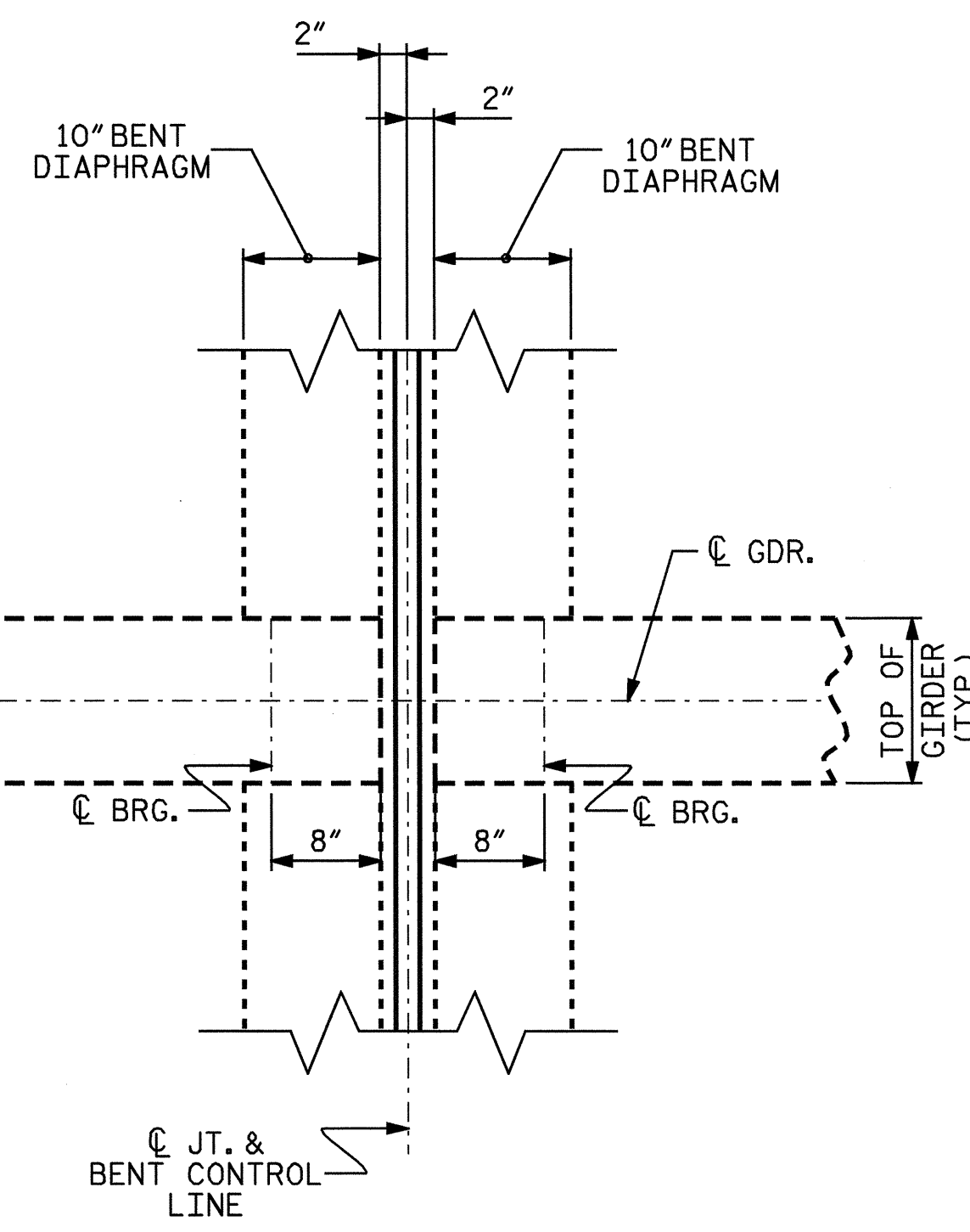
NOTE: REINFORCING STEEL IN SLAB NOT SHOWN. LONGITUDINAL REINFORCING STEEL SHALL BE CONTINUOUS THRU JOINT



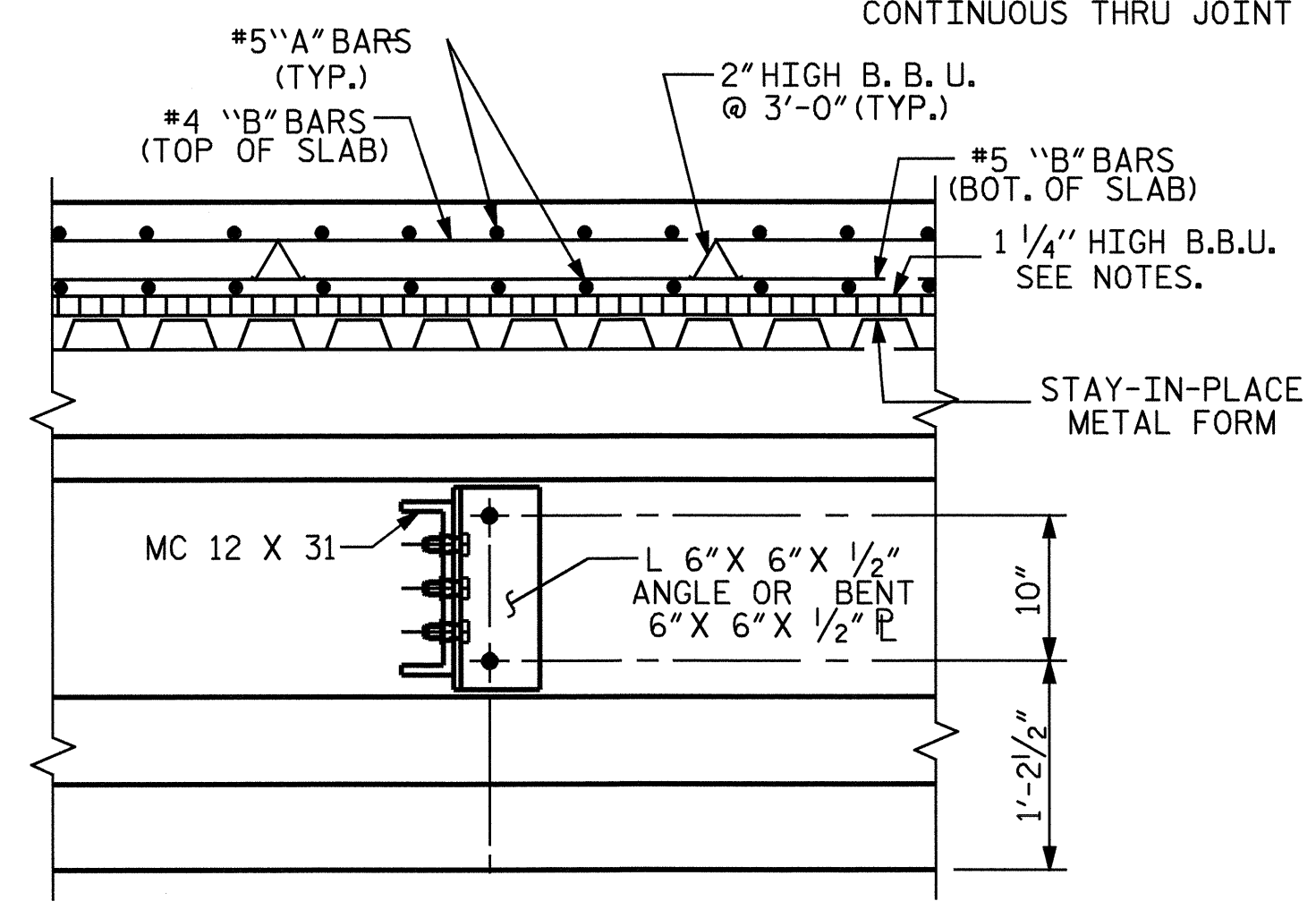
END BENT DIAPHRAGM



PLAN OF LINK SLAB



BENT DIAPHRAGM



INTERMEDIATE STEEL DIAPHRAGM

DRAWN BY : H. T. BARBOUR DATE : 11-19-04
CHECKED BY : A. COLE DATE : 2-05

01-DEC-2005 16:06
R:\Structures\Tbarbour\Microstation\B-4009.ed.TS.01.dgn
tbarbour

PROJECT NO. B-4009
ANSON COUNTY
STATION: 38+66.50-L-

SHEET 2 OF 2

REVISIONS						SHEET NO.
NO.	BY:	DATE:	NO.	BY:	DATE:	5-10
1			3			TOTAL SHEETS
2			4			64

