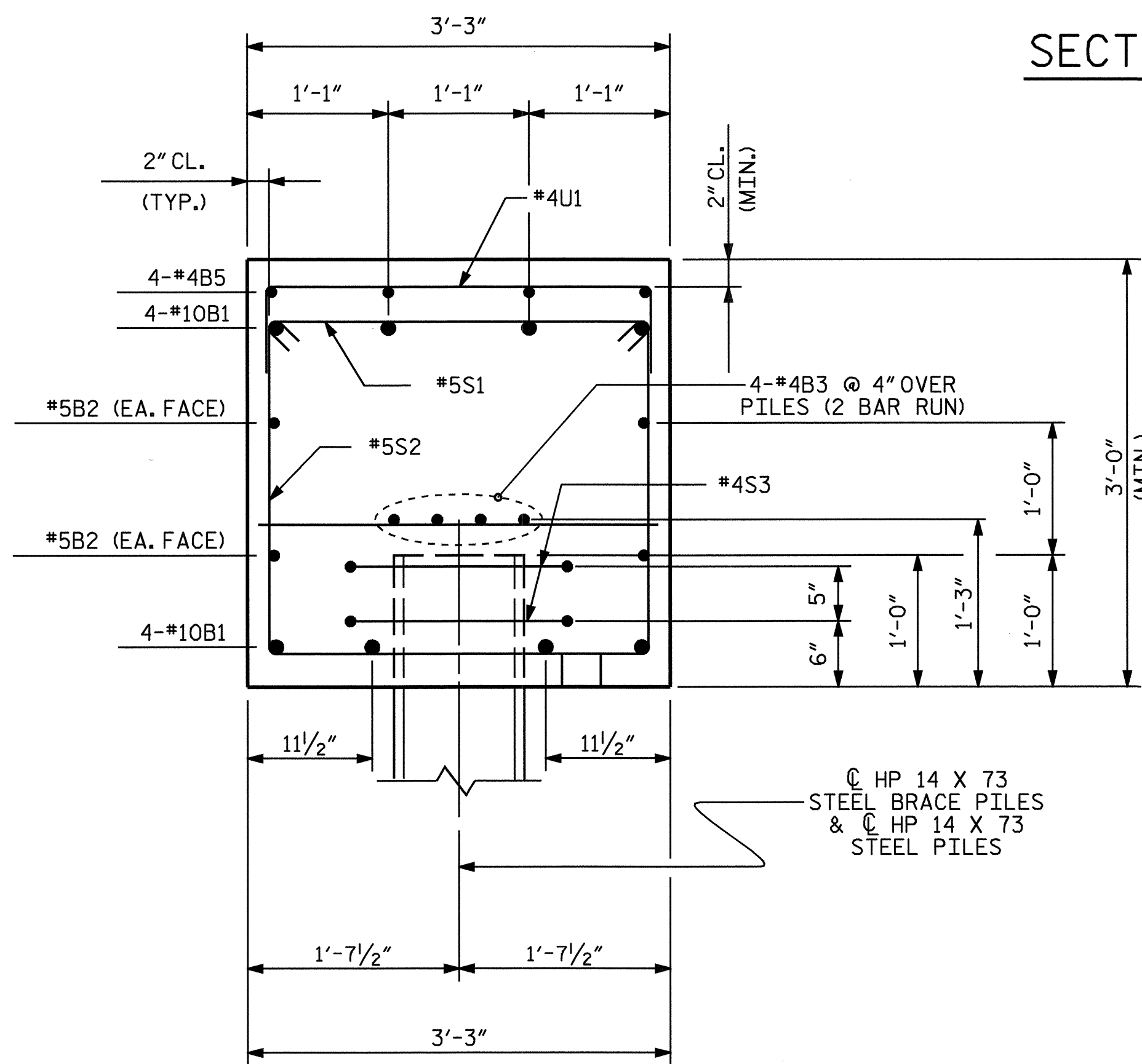
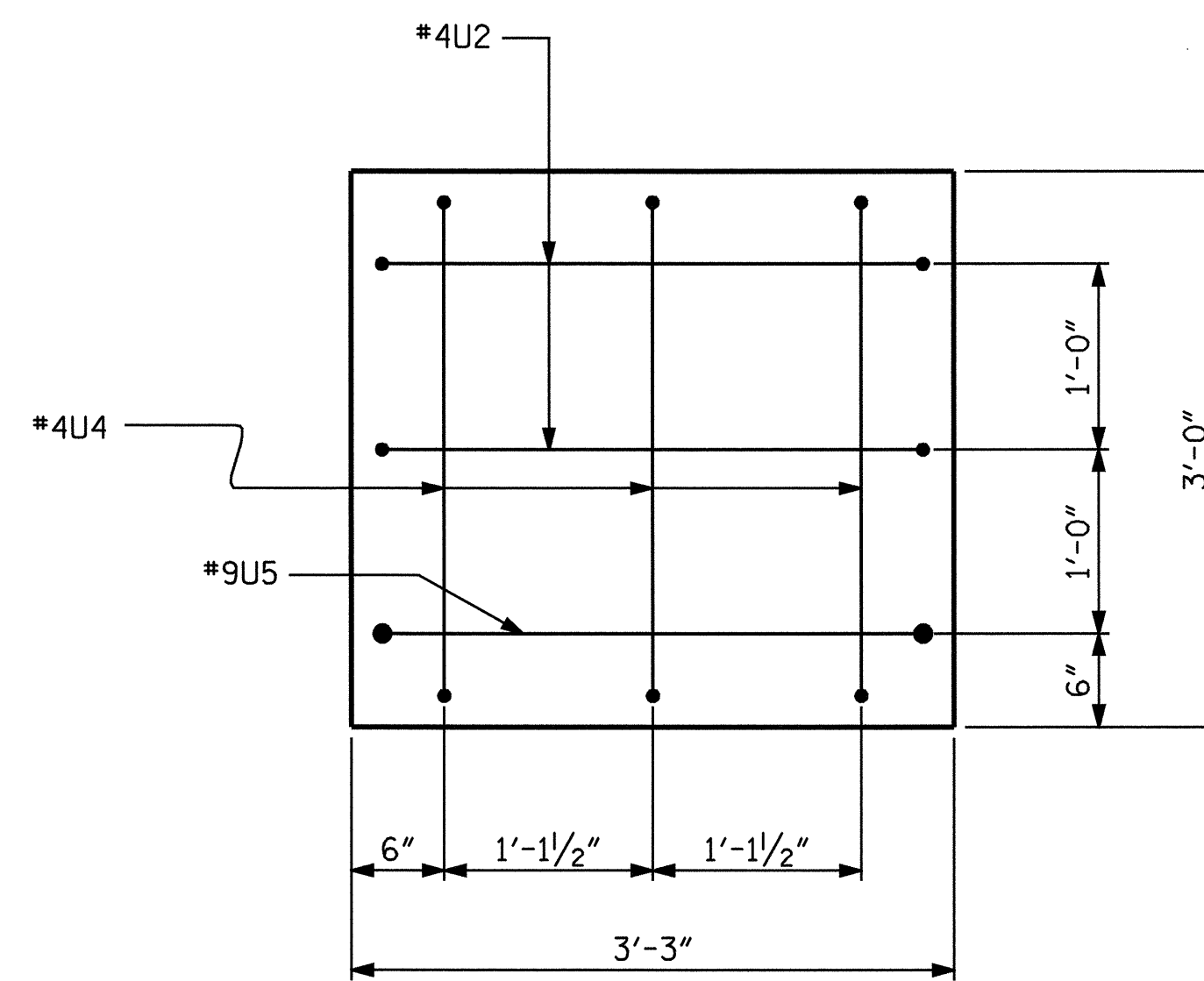


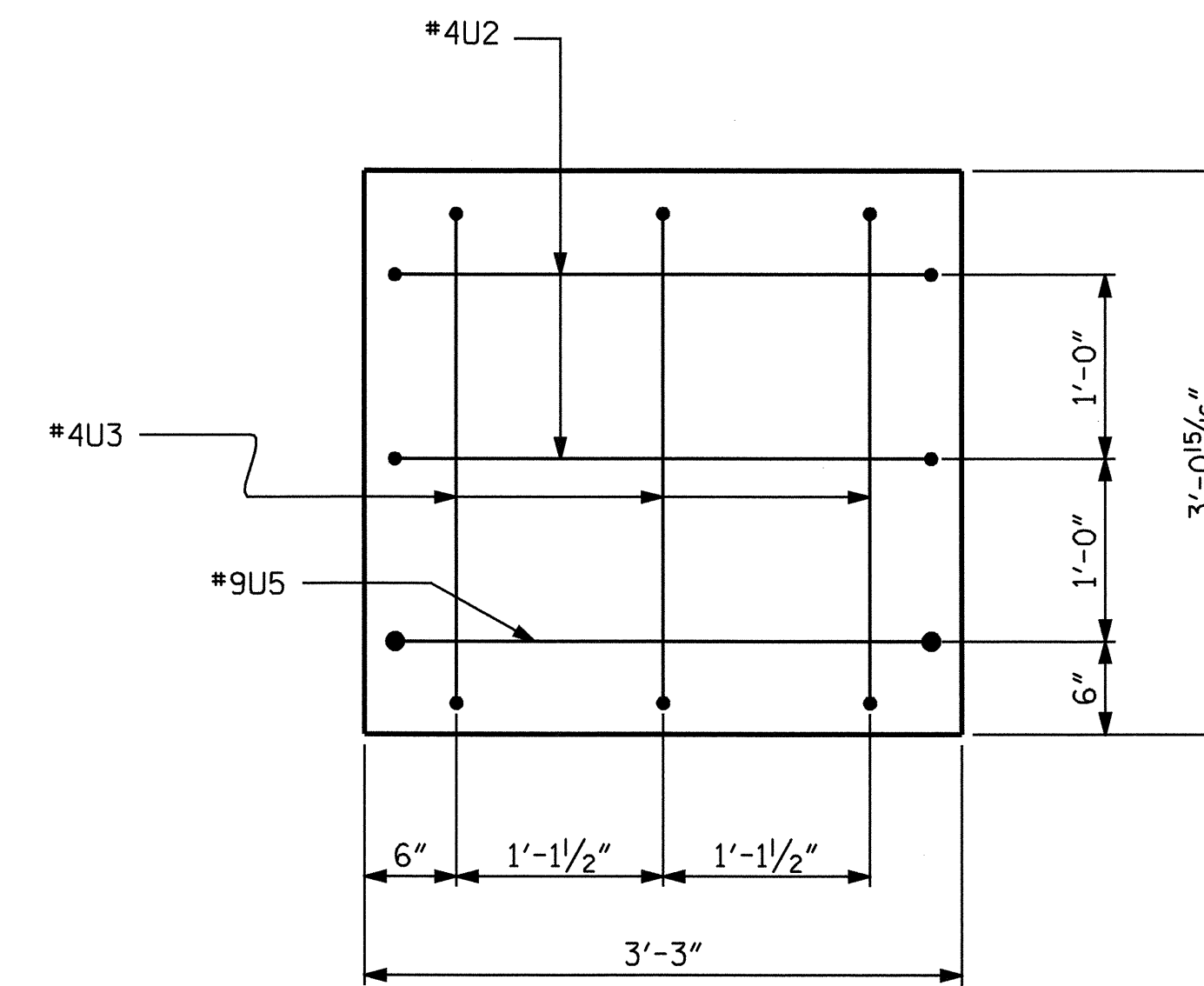
SECTION A-A



SECTION B-B



LEFT
END OF CAP



RIGHT
END OF CAP

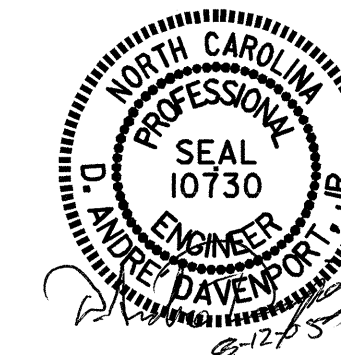
BAR TYPES

ALL BAR DIMENSIONS ARE OUT TO OUT.

BILL OF MATERIAL					
BENT #7					
BAR	NO.	SIZE	TYPE	LENGTH	WEIGHT
B1	8	#10	1	38'-6"	1325
B2	4	#5	STR	35'-10"	149
B3	8	#4	STR	19'-2"	102
B4	9	#4	STR	2'-11"	18
B5	4	#4	STR	10'-9"	29
S1	34	#5	3	3'-10"	136
S2	34	#5	2	9'-1"	322
S3	14	#4	4	7'-7"	71
U1	33	#4	5	5'-11"	130
U2	4	#4	5	5'-9"	15
U3	3	#4	5	5'-7"	11
U4	3	#4	5	5'-6"	11
U5	2	#9	5	10'-1"	69
REINFORCING STEEL					= 2388 LBS
CLASS A CONCRETE					= 13.6 CU. YDS.
HP 14 X 73 STEEL PILE NO.7					LIN.FT. 245 FT.
STEEL PILE POINTS					EA. 7
GALVANIZING STEEL PILES					LUMP SUM

DRAWN BY : A. A. COLE DATE : 6-21-05
 CHECKED BY : H. T. BARBOUR DATE : 7-05

12-AUG-2005 12:19
 R:\STRUCT\acole\MICROS\B4009.dwg
 adavenport



PROJECT NO. B-4009
 ANSON COUNTY
 STATION: 38+66.50 -L-

SHEET 2 OF 2

STATE OF NORTH CAROLINA
 DEPARTMENT OF TRANSPORTATION
 RALEIGH

SUBSTRUCTURE
 BENT #7

REVISIONS						SHEET NO.
NO.	BY:	DATE:	NO.	BY:	DATE:	S-45
1			3			TOTAL SHEETS 64
2			4			