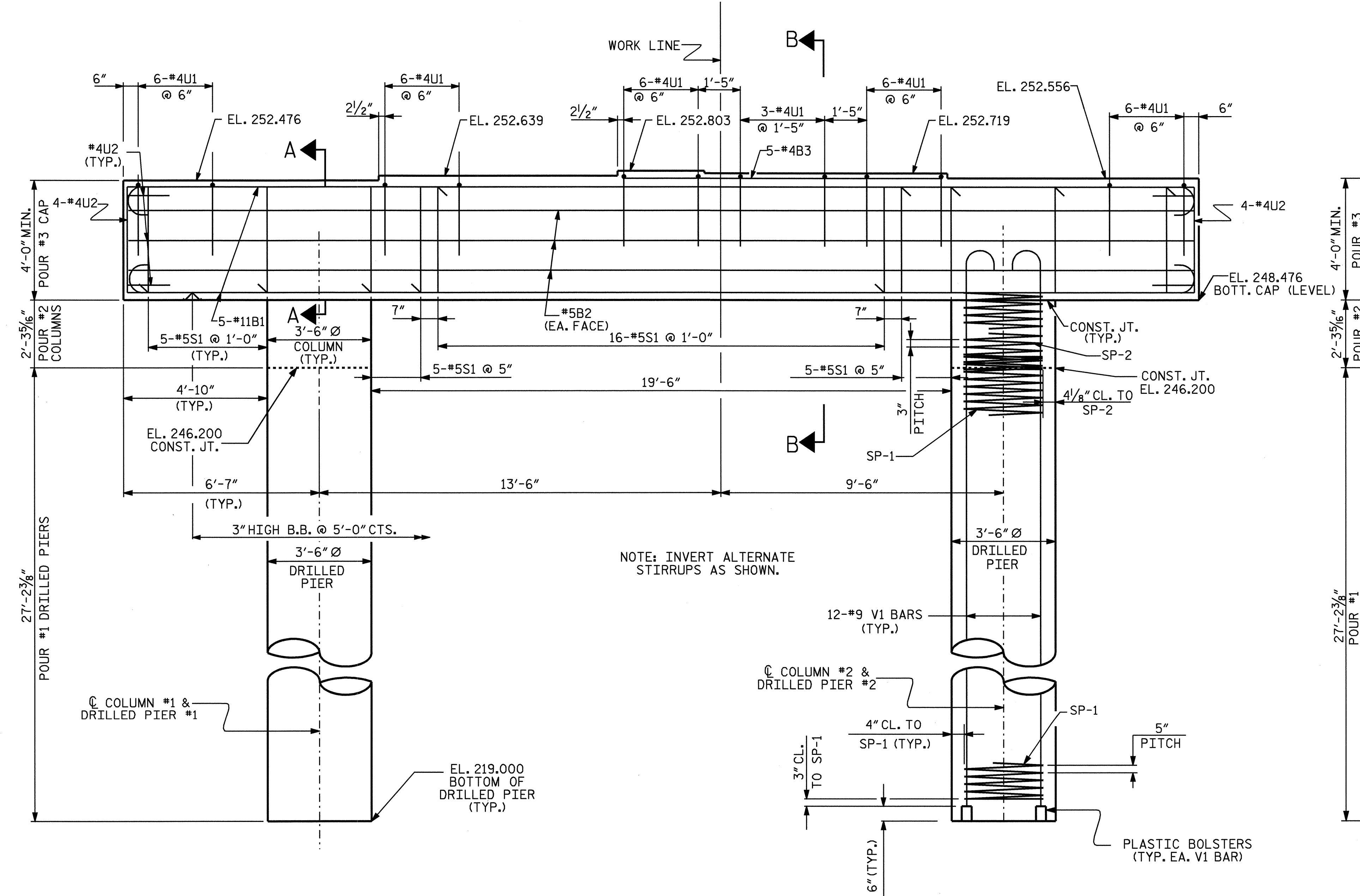


PLAN OF CAP

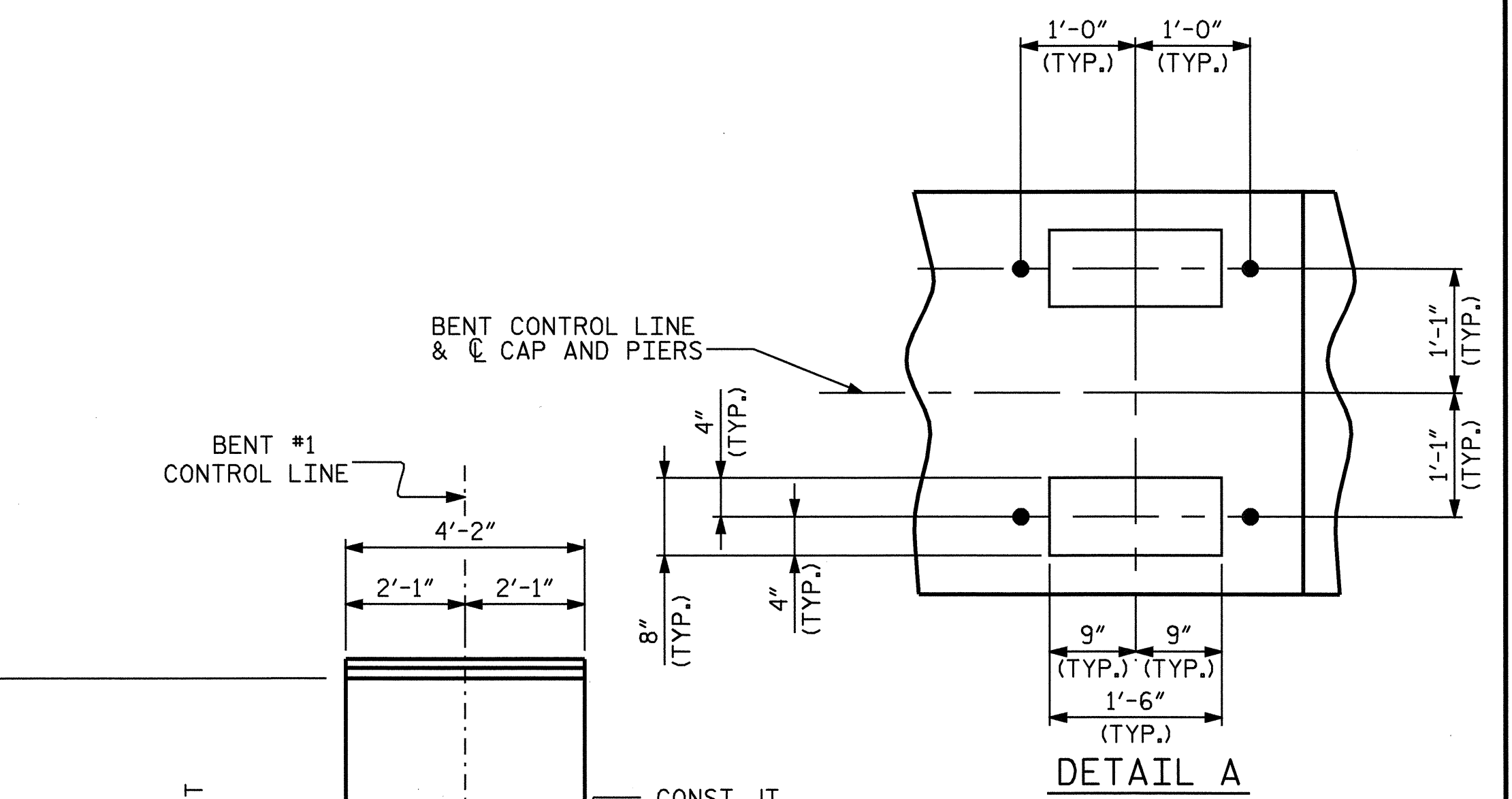


ELEVATION

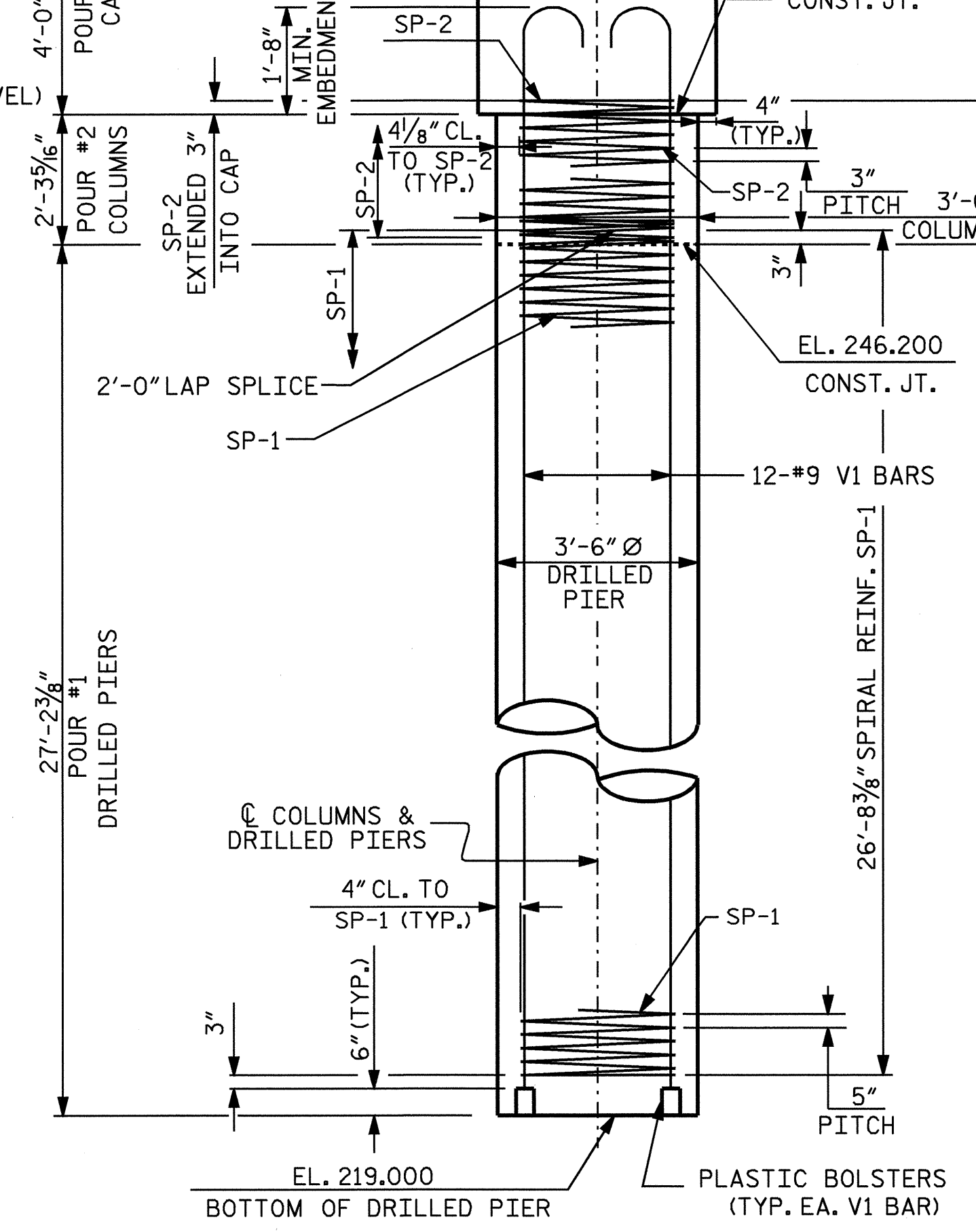
ALL COLUMNS AND DRILLED PIERS ARE IDENTICAL

NOTES

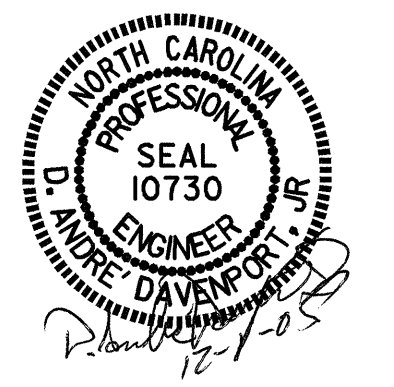
STIRRUPS IN CAP MAY BE SHIFTED AS NECESSARY TO CLEAR ANCHOR BOLTS.
 FOR DRILLED PIERS, SEE SPECIAL PROVISIONS.
 THE CONTRACTOR'S ATTENTION IS CALLED TO THE FACT THAT THE LONGITUDINAL REINFORCEMENT FOR THE DRILLED PIERS IS DETAILED WITH 3 FEET OF EXTRA LENGTH.
 ALL STEEL IN THE DRILLED PIERS IS INCLUDED IN THE PAY ITEMS FOR "REINFORCING STEEL" AND "SPIRAL COLUMN REINFORCING STEEL."
 FOR PERMANENT STEEL CASING, SEE SPECIAL PROVISION FOR DRILLED PIERS.
 HOOKS ON V1 BARS MAY BE TURNED AS NECESSARY FOR PLACING REINFORCING STEEL.



DETAIL A



RIGHT END ELEVATION



PROJECT NO. B-4009
 ANSON COUNTY
 STATION: 38+66.50 -L-

SHEET 1 OF 2
 STATE OF NORTH CAROLINA
 DEPARTMENT OF TRANSPORTATION
 RALEIGH
 SUBSTRUCTURE
 BENT #12

DRAWN BY: A. A. COLE DATE: 7/05
 CHECKED BY: B. GREEN DATE: 8-05

REVISIONS						SHEET NO. S-54
NO.	BY:	DATE:	NO.	BY:	DATE:	
1			3			TOTAL SHEETS 64
2			4			

01-DEC-2005 10:17
 R:\Structures\acole\Microstation\B4009.sd.B*.dgn
 tbarbour