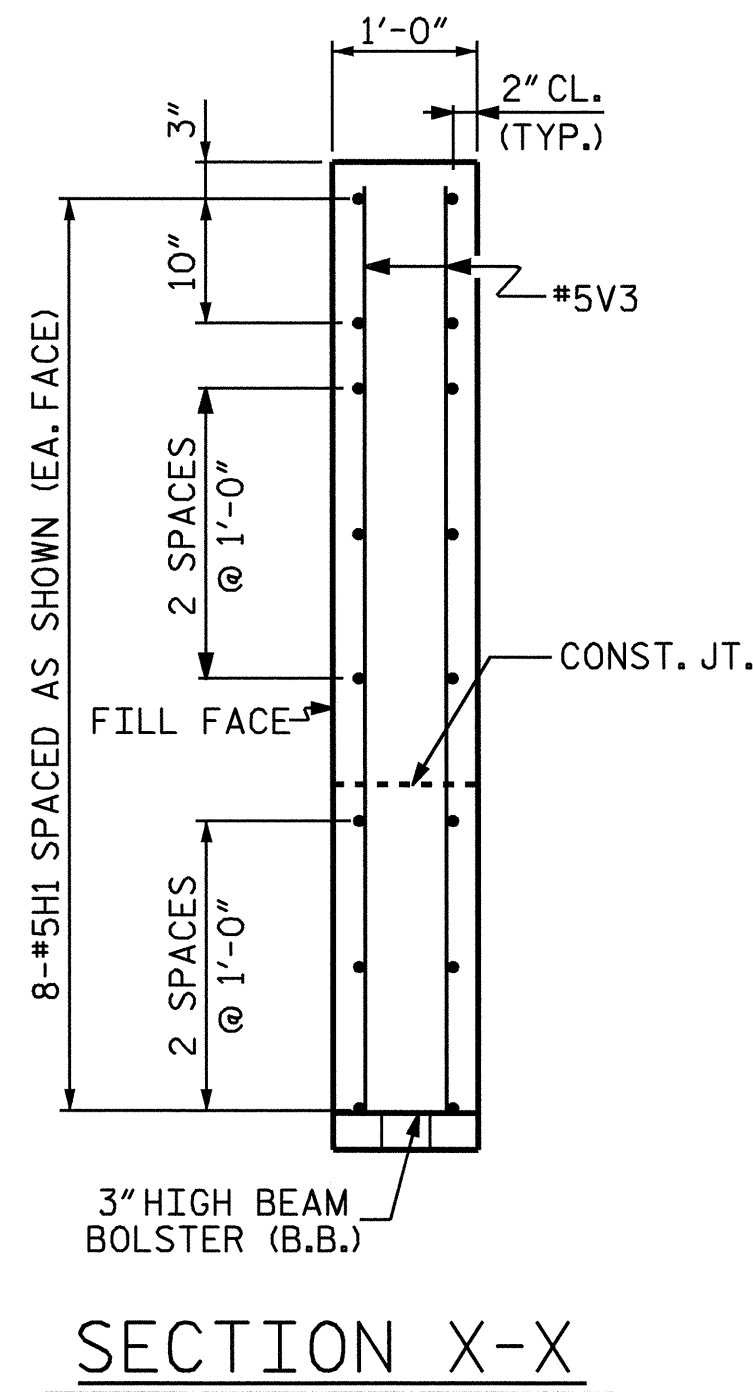
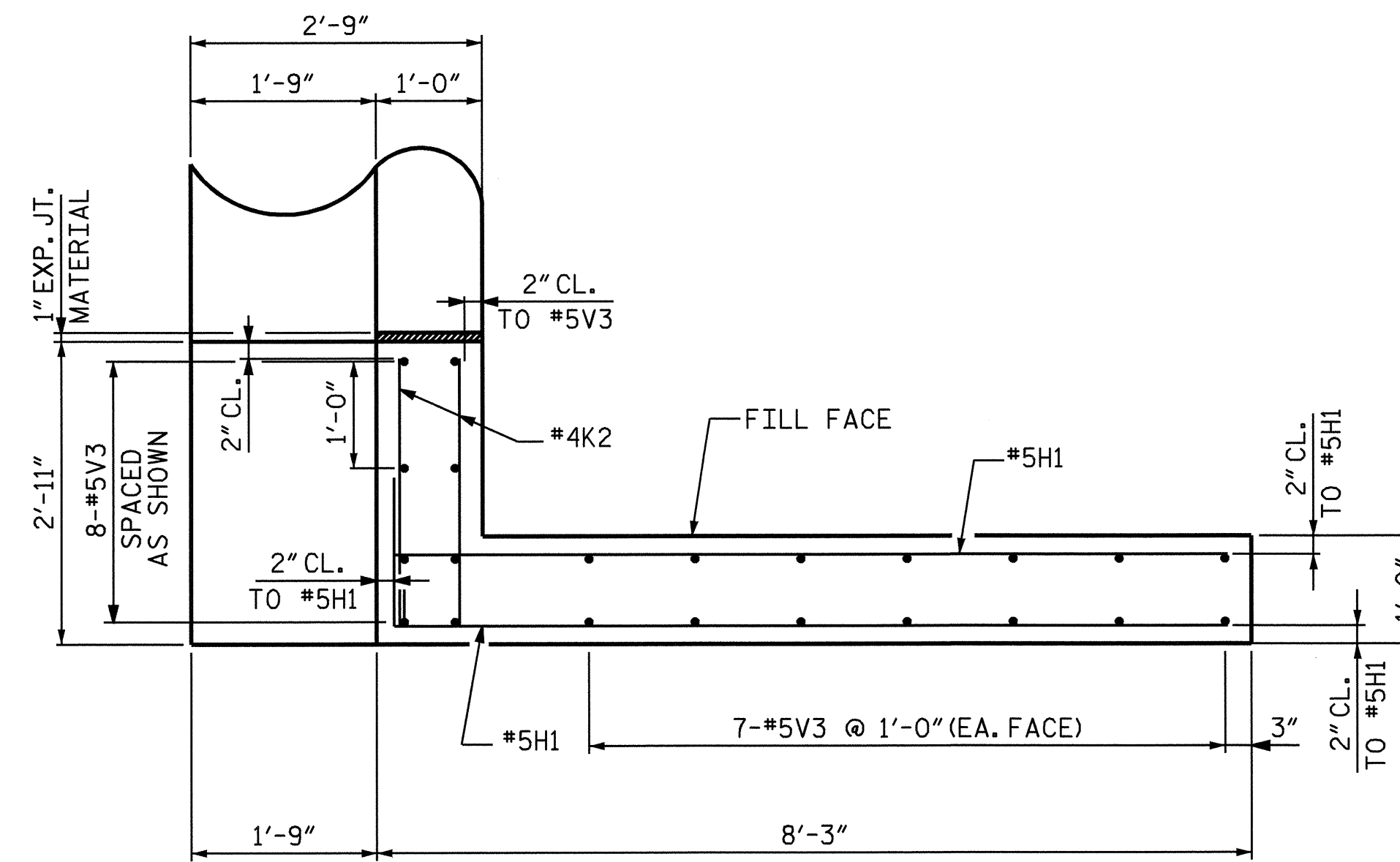


PLAN OF LEFT WING

W1

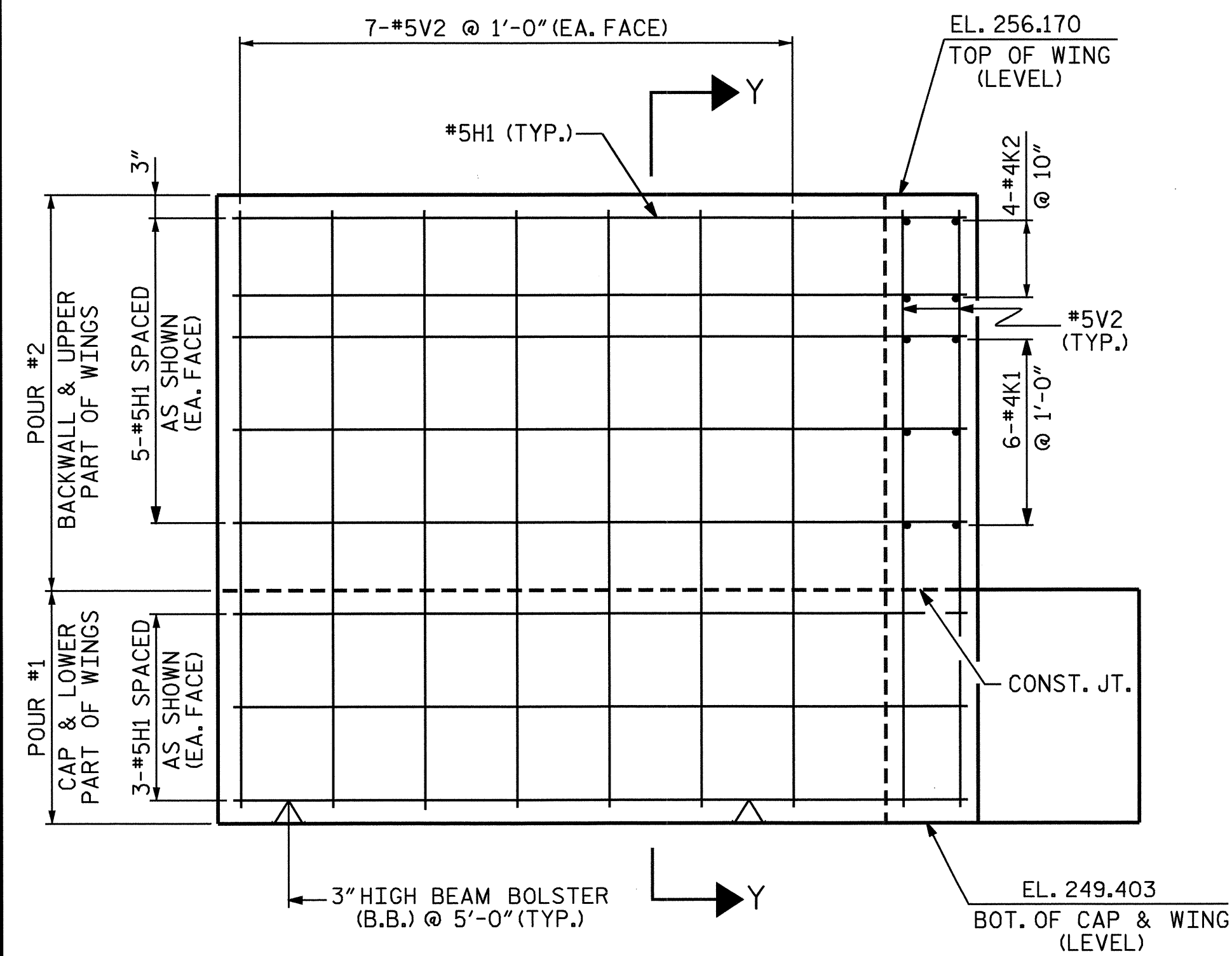


SECTION X-X



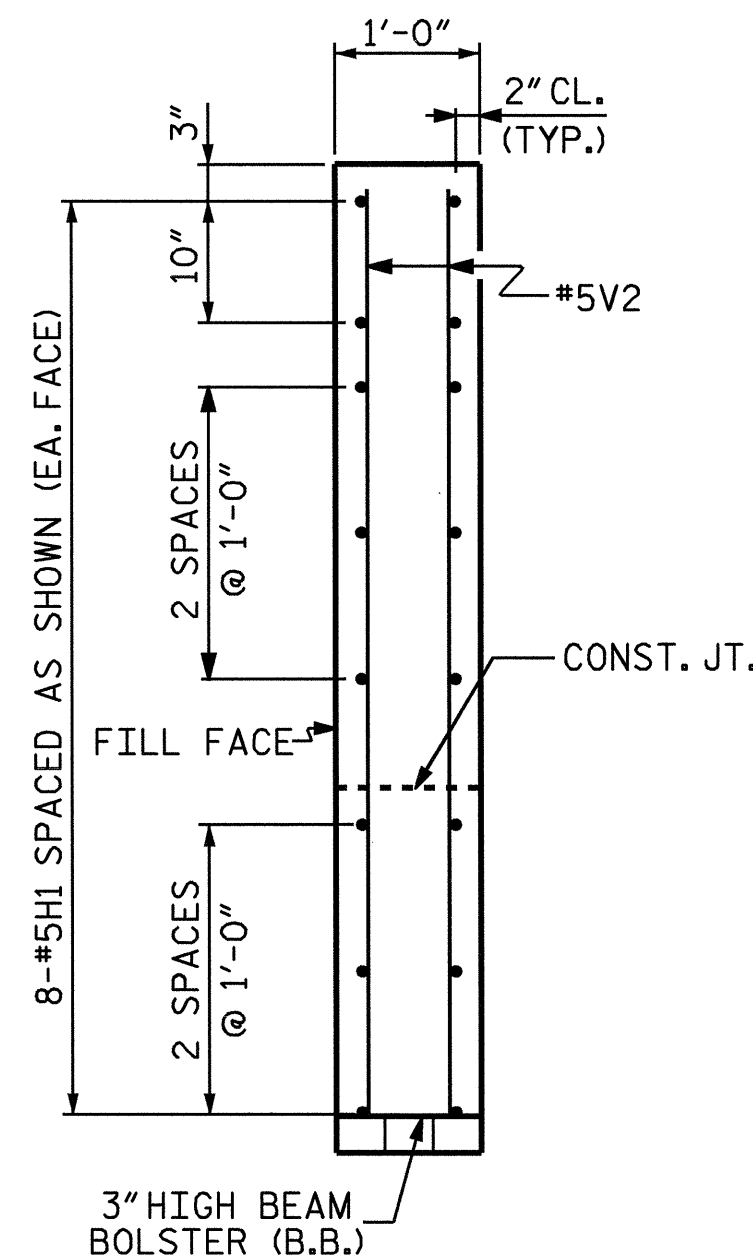
PLAN OF RIGHT WING

W2

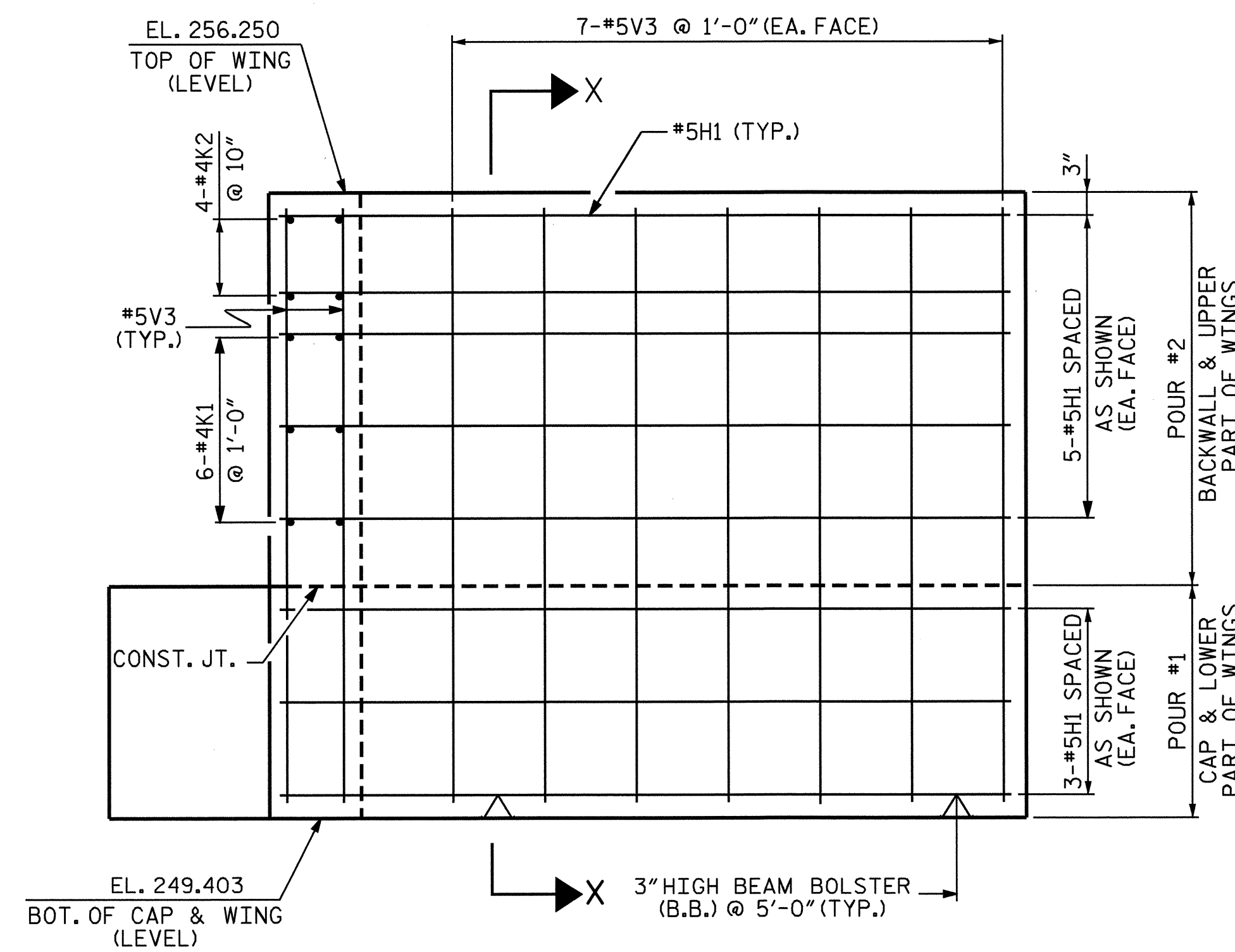


ELEVATION OF LEFT WING

W1



SECTION Y-Y



ELEVATION OF RIGHT WING

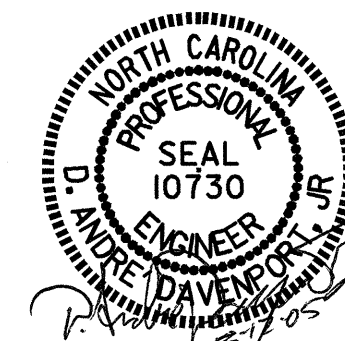
W2

PROJECT NO. B-4009
 ANSON COUNTY
 STATION: 38+66.50 -L-

SHEET 2 OF 3

STATE OF NORTH CAROLINA
 DEPARTMENT OF TRANSPORTATION
 RALEIGH

SUBSTRUCTURE
 END BENT #2



DRAWN BY: A. SORSENGIN/H.B. GREEN DATE: 3-7-05
 CHECKED BY: A. COLE DATE: 3-16-05

12-AUG-2005 08:28
 R:\STRUCT\Drawings\MICROS\B4009.dwg
 adavenport

REVISIONS						SHEET NO.	
NO.	BY:	DATE:	NO.	BY:	DATE:	S-59	
1			3			TOTAL SHEETS	
2			4			64	

NC005