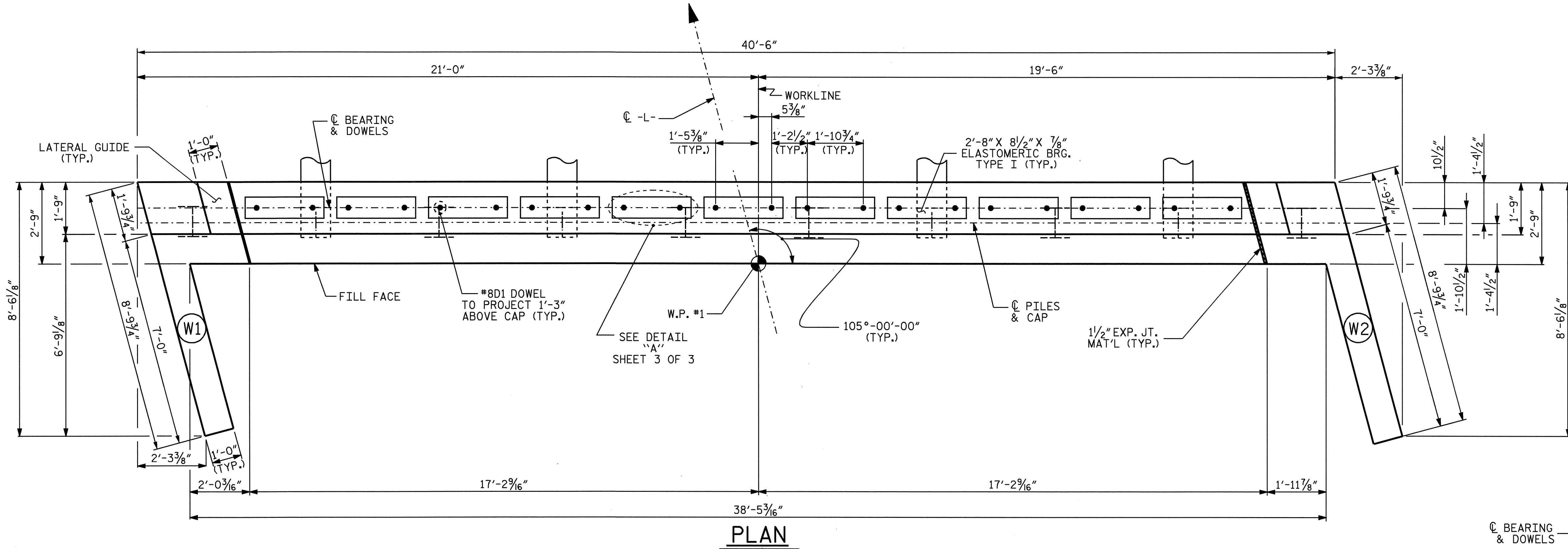


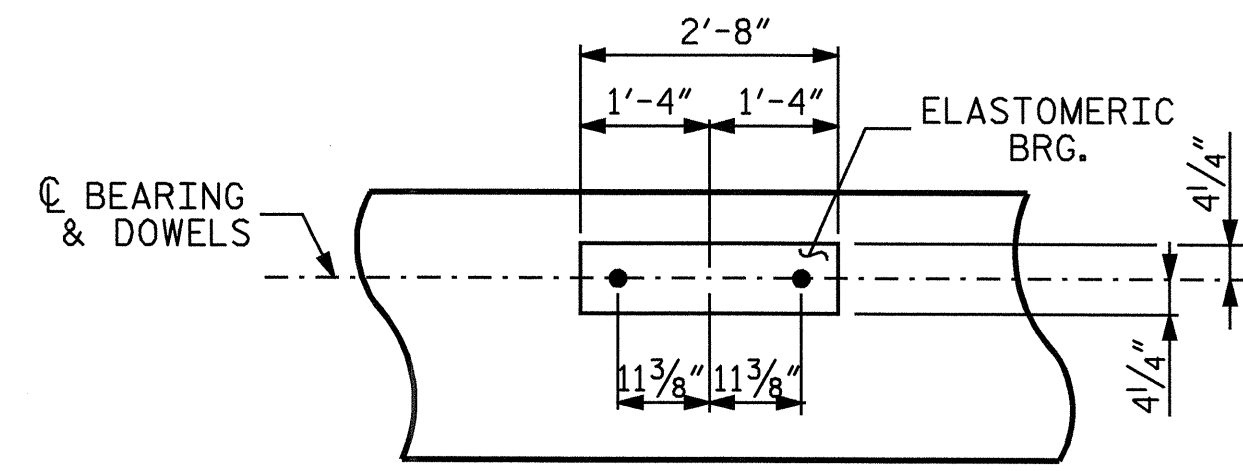
NOTES

STIRRUPS IN CAP MAY BE SHIFTED AS NECESSARY TO CLEAR #8D1 DOWELS.
 THE LATERAL GUIDE AT EACH END OF THE CAP IS NOT TO BE POURED UNTIL AFTER BOX BEAM UNITS ARE IN PLACE.

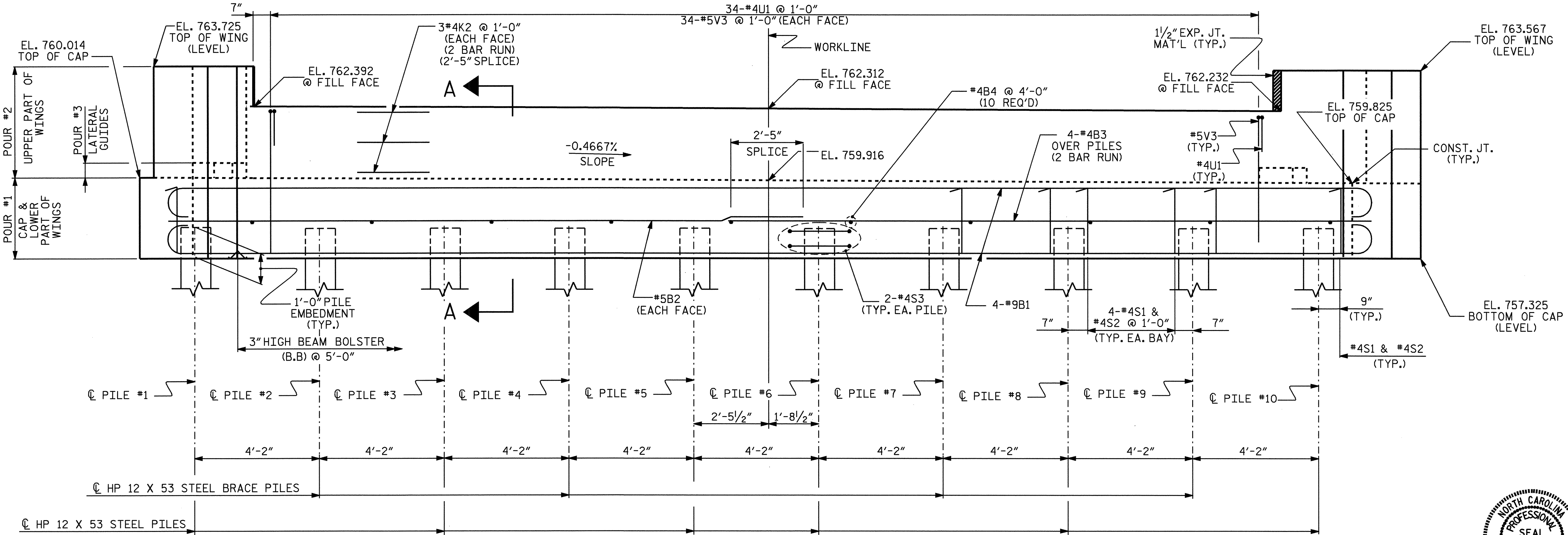
THE CONTRACTOR SHALL PROVIDE FOR INSTALLATION OF THE 4" DIAMETER DRAIN PIPE THROUGH THE WING WALL AS REQUIRED FOR REINFORCED BRIDGE APPROACH FILLS, SEE THE ROADWAY PLANS. REINFORCING STEEL IN THE WING WALL MAY BE SHIFTED AS NECESSARY TO CLEAR THE DRAIN PIPE.



PLAN



DETAIL "A"



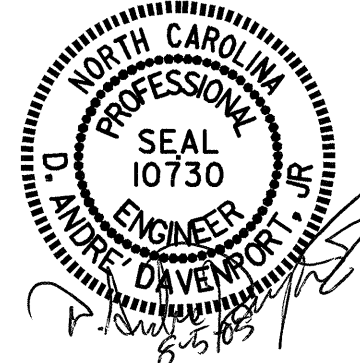
ELEVATION

PROJECT NO. B-4266
RUTHERFORD COUNTY
 STATION: 13+29.00 -L-

SHEET 1 OF 3

STATE OF NORTH CAROLINA
 DEPARTMENT OF TRANSPORTATION
 RALEIGH

**SUBSTRUCTURE
 END BENT #1**



REVISIONS						SHEET NO.
NO.	BY:	DATE:	NO.	BY:	DATE:	S-9
1			3			TOTAL SHEETS
2			4			18

DRAWN BY : A. SORSENGINH/DAD DATE : 2-21-05
 CHECKED BY : H.T. BARBOUR DATE : 6/05

05-AUG-2005 07:04
 RA:STRUCT\adavenport\Microstation\B4266.sd.E*.dgn
 adavenport