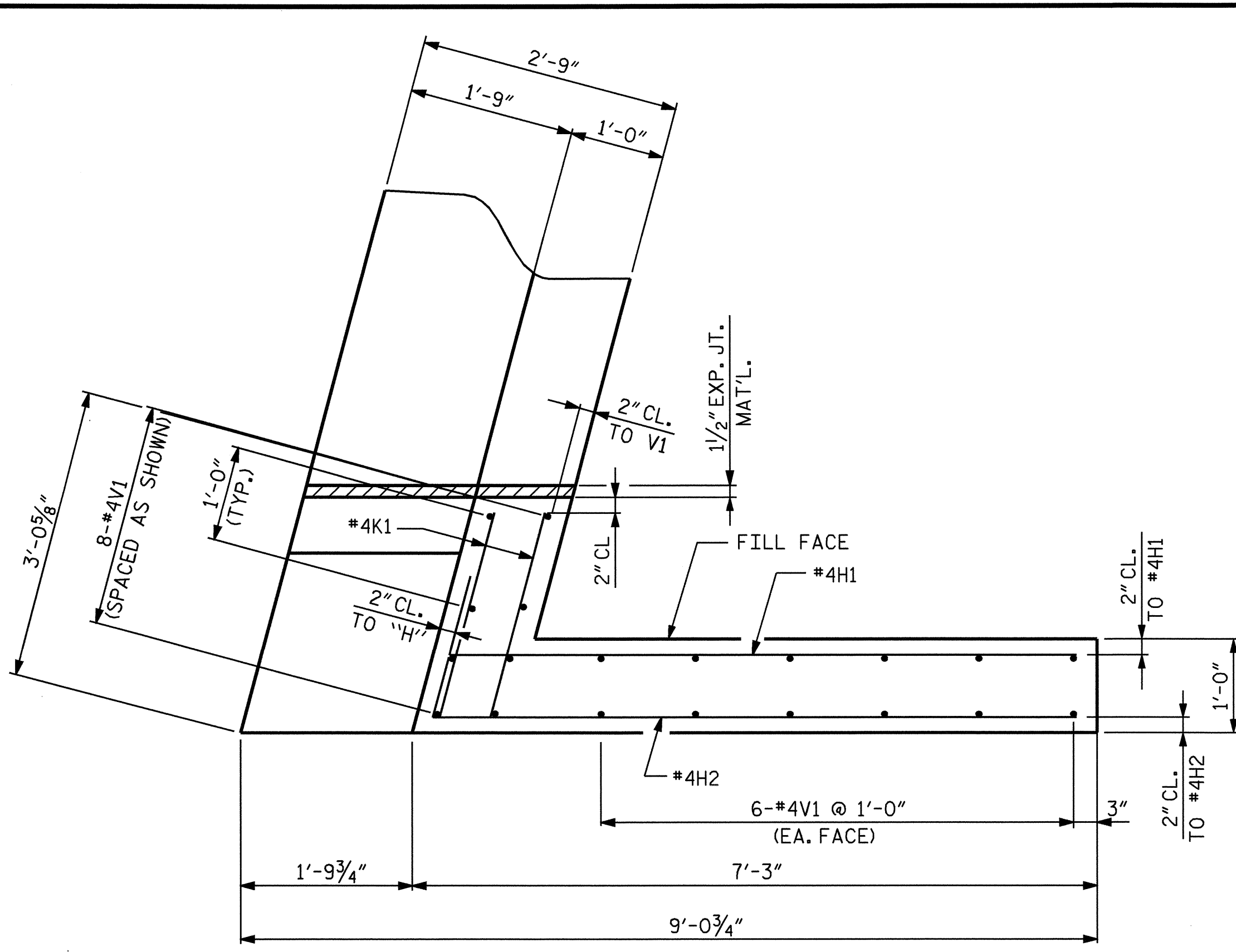
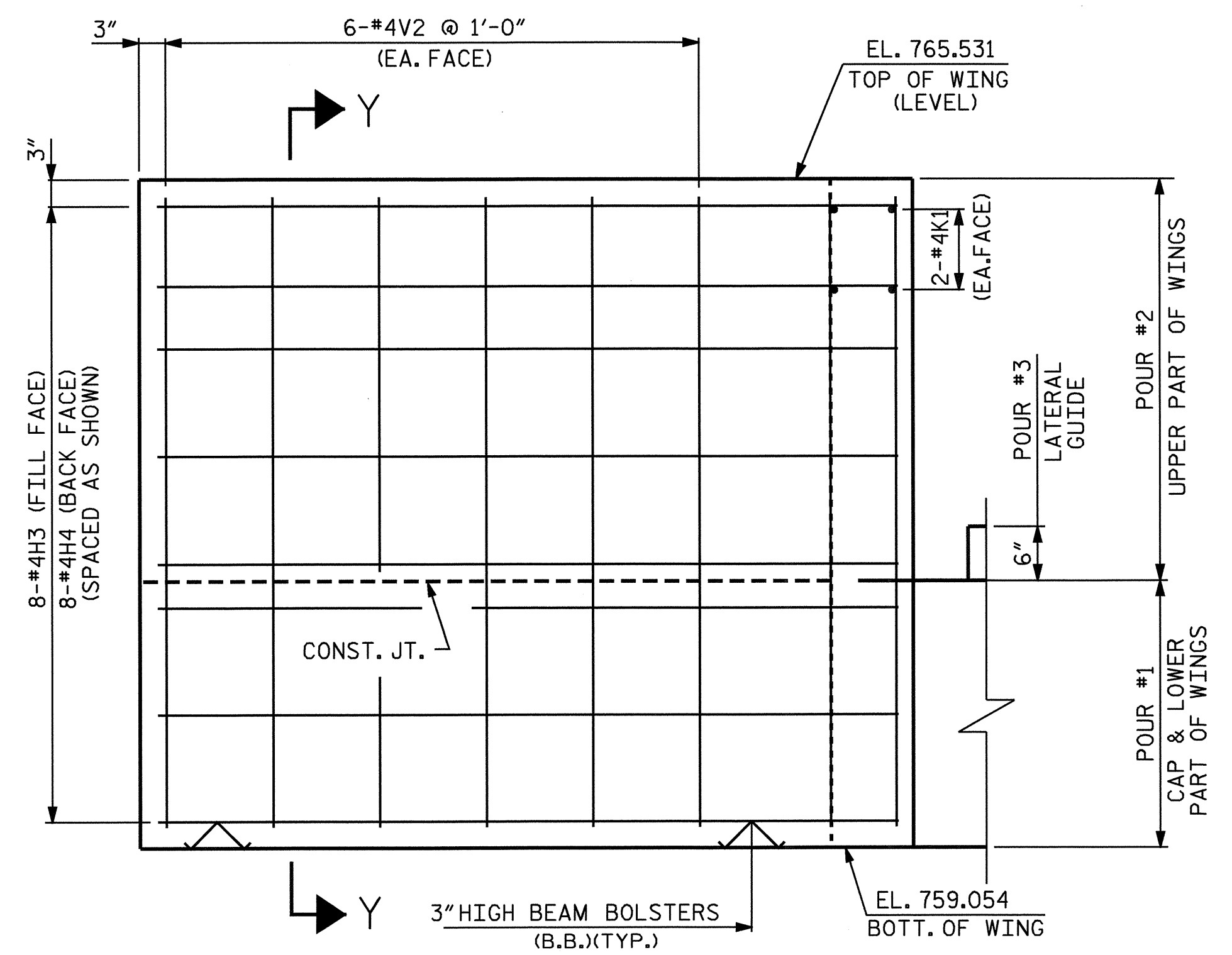


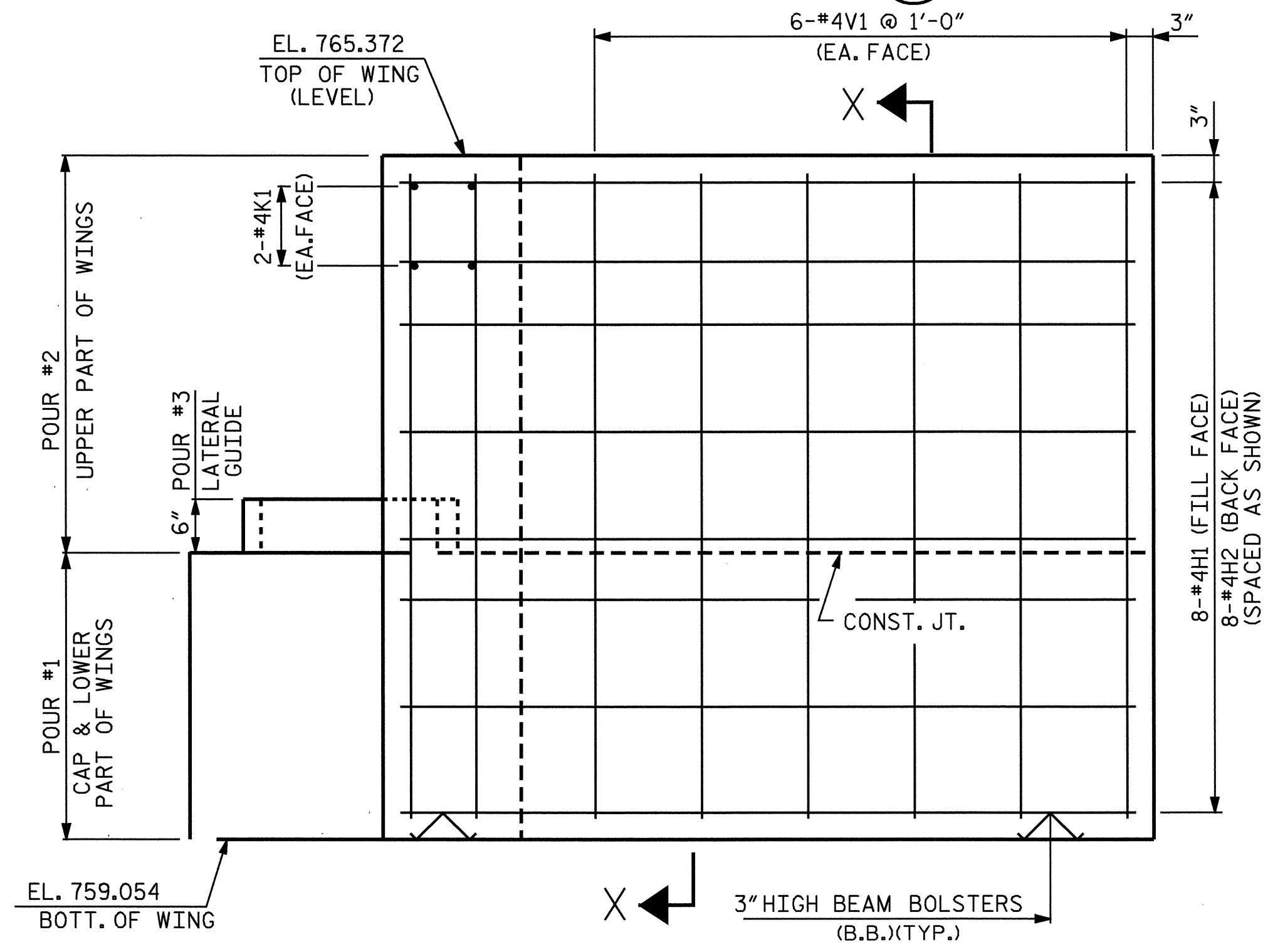
PLAN OF LEFT WING (W1)



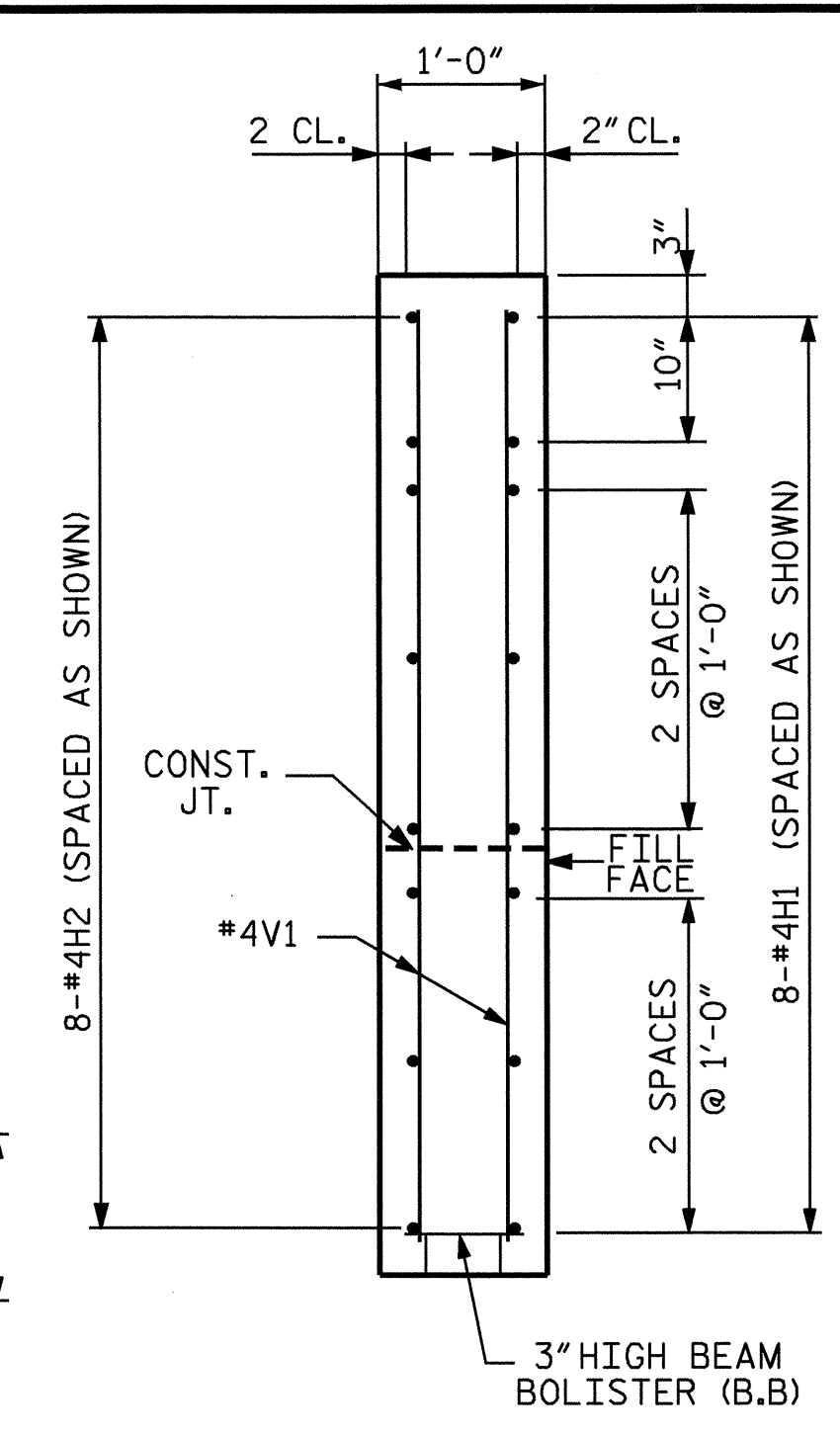
PLAN OF RIGHT WING (W2)



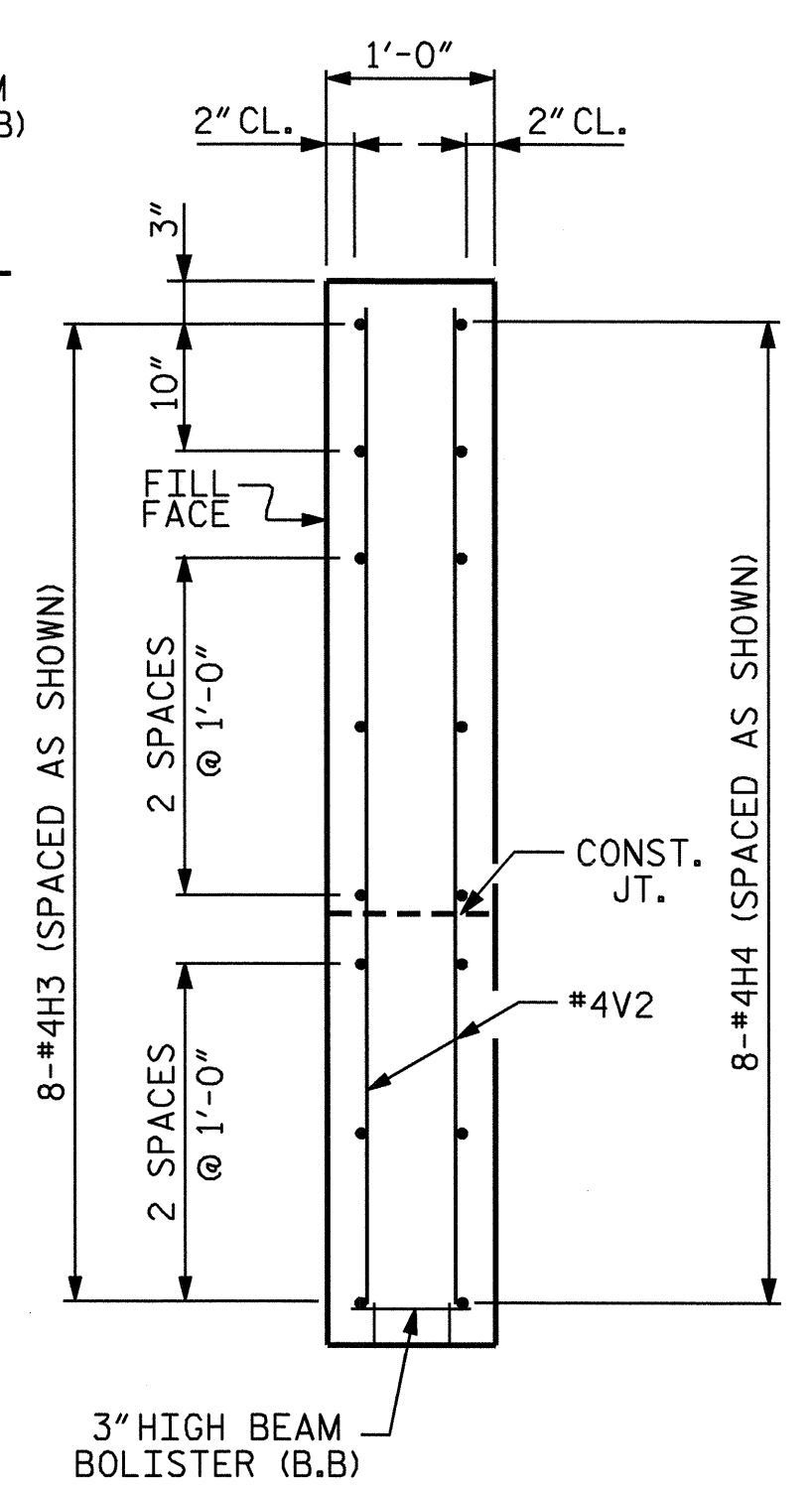
ELEVATION OF LEFT WING (W1)



ELEVATION OF RIGHT WING (W2)



SECTION X-X



SECTION Y-Y

PROJECT NO. B-4266  
 RUTHERFORD COUNTY  
 STATION: 13+29.00 -L-

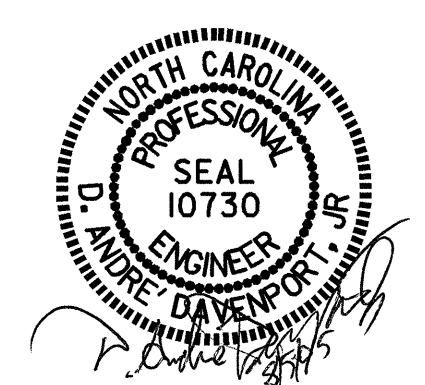
SHEET 2 OF 3

STATE OF NORTH CAROLINA  
 DEPARTMENT OF TRANSPORTATION  
 RALEIGH

SUBSTRUCTURE  
 END BENT #2  
 WING DETAILS

REVISIONS					
NO.	BY:	DATE:	NO.	BY:	DATE:
1			3		
2			4		

SHEET NO. S-13
TOTAL SHEETS 18



DRAWN BY: A. SORSENGIN/DAD DATE: 2/22/05  
 CHECKED BY: H.T. BARBOUR DATE: 6/05