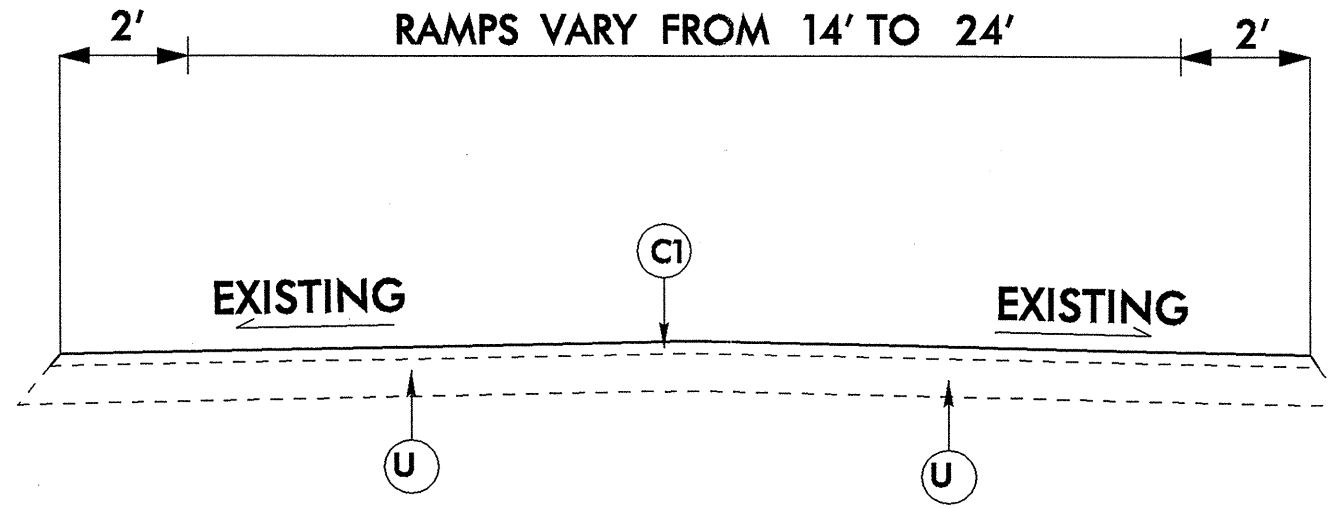
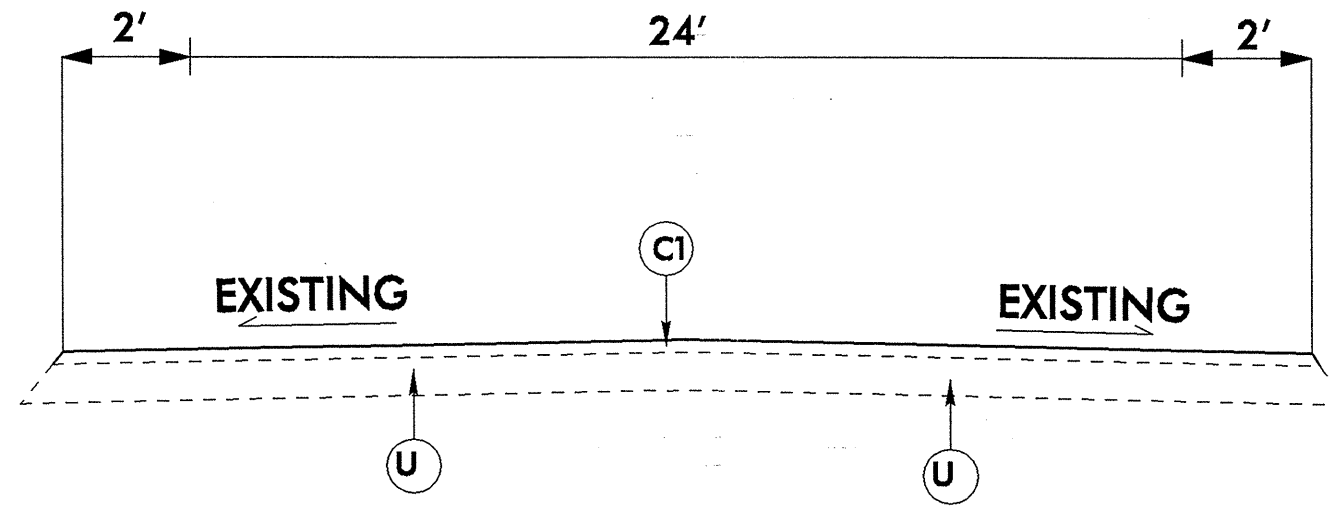


PROJECT REFERENCE NO. 2CR10741.3	SHEET NO. 5
ROADWAY DESIGN ENGINEER	PAVEMENT DESIGN ENGINEER



USE TYPICAL SECTION *5
MAP NUMBERS 7,8,9



USE TYPICAL SECTION *6
MAP NUMBERS 10 AND 11