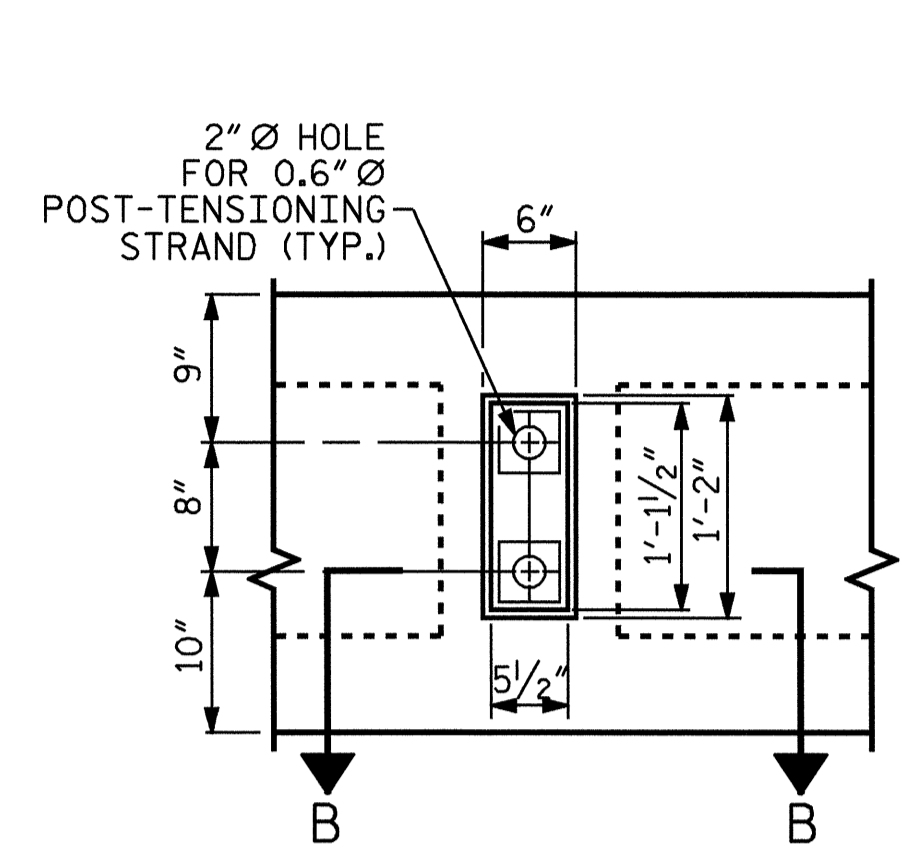


SECTION D-D

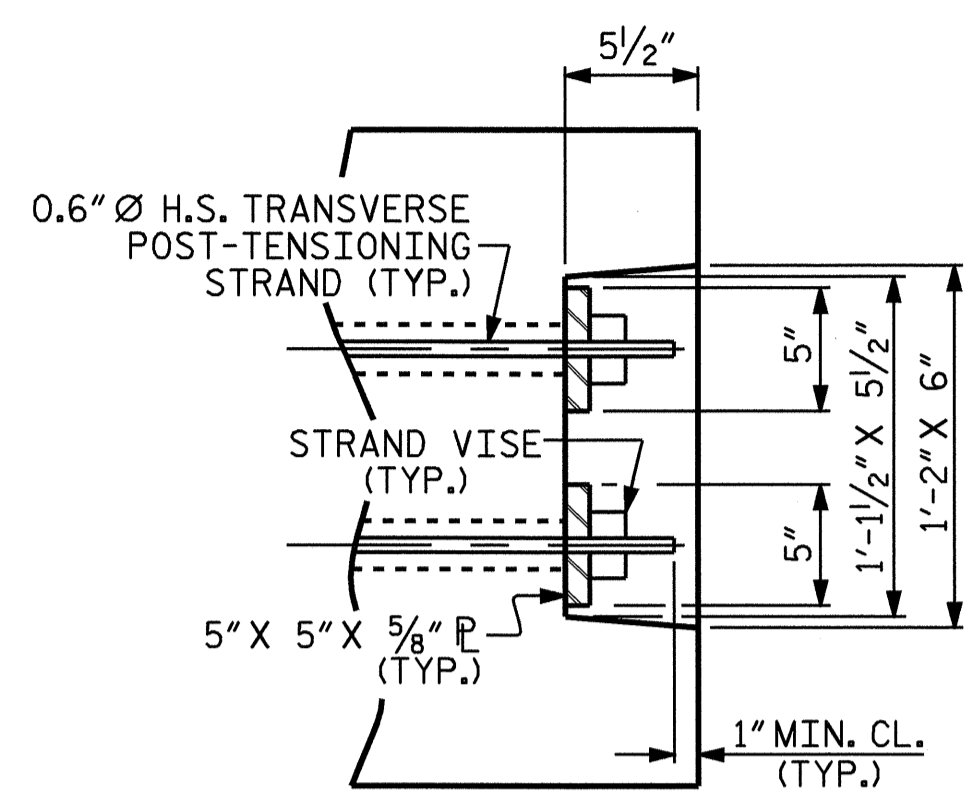
SECTION A-A
VOIDS NOT SHOWN

DOUBLE DIAPHRAGM DETAILS FOR 27" BOX BEAM

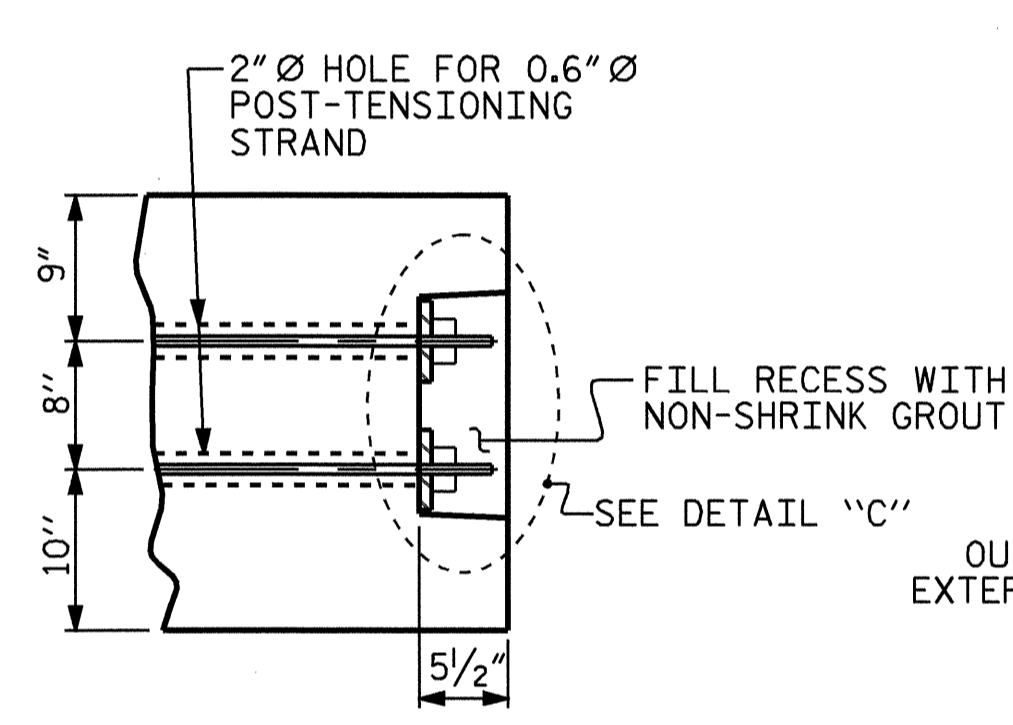
*4 "S" BARS NOT SHOWN. #4 "S" BARS MAY BE SHIFTED SLIGHTLY TO CLEAR 2" Ø HOLE.



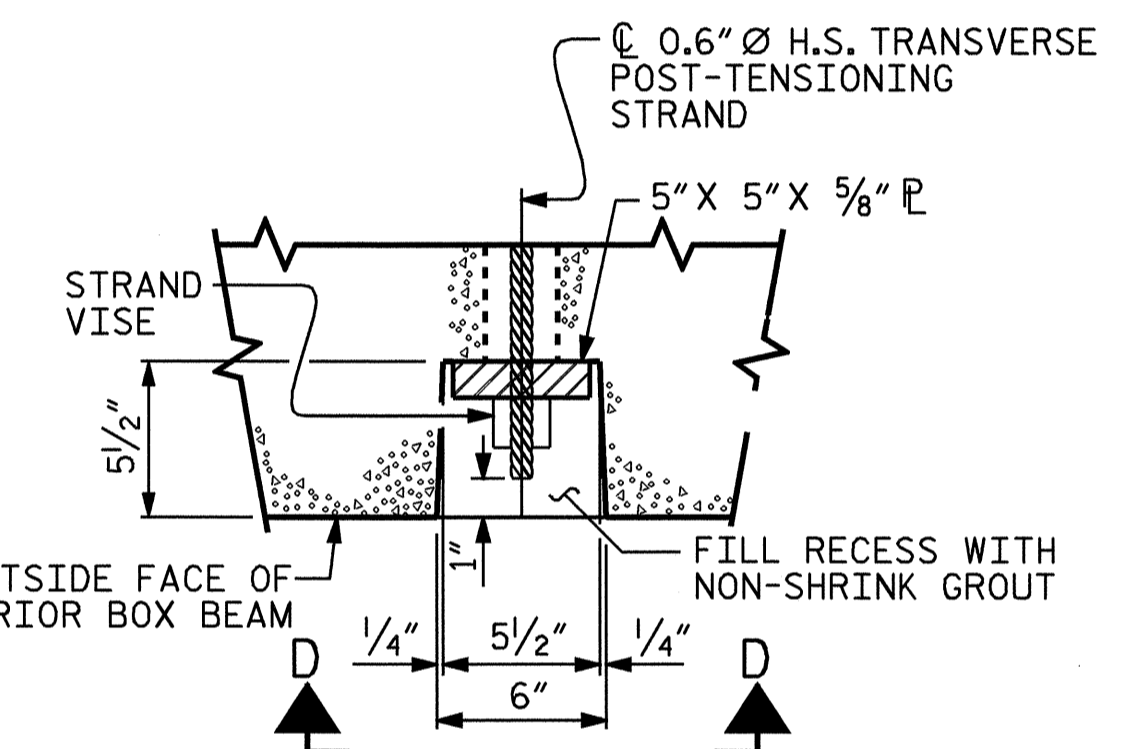
VIEW D-D
SHOWING ELEVATION VIEW OF GROUTED RECESS



DETAIL "C"



PART SECTION AT RECESS



SECTION B-B
SHOWING PLAN VIEW OF GROUTED RECESS

**DOUBLE GROUTED RECESS AT
END OF POST-TENSIONED STRANDS
OF EXTERIOR 27" BOX BEAM**

PROJECT NO. B-1303
NORTHAMPTON COUNTY
 STATION: 18+81.00 -L-

SHEET 6 OF 7

STATE OF NORTH CAROLINA
 DEPARTMENT OF TRANSPORTATION
 RALEIGH
 STANDARD
 3'-0" X 2'-3"
 PRESTRESSED CONCRETE
 BOX BEAM UNIT



MARCH		2005	
REVISIONS			
NO.	BY:	DATE:	SHEET NO.
1			S-9
2			TOTAL SHEETS 20

ASSEMBLED BY : B.N. GRADY DATE : 5/05
 CHECKED BY : A.R. CHESSON DATE : 6/05

14-JUN-2005 11:15
 R:\STRUCT\B1303\B1303\BGRADY\Microstation\B1303.sd.pcb.01.dgn
 bng Brady

STD. NO. PCBB3