

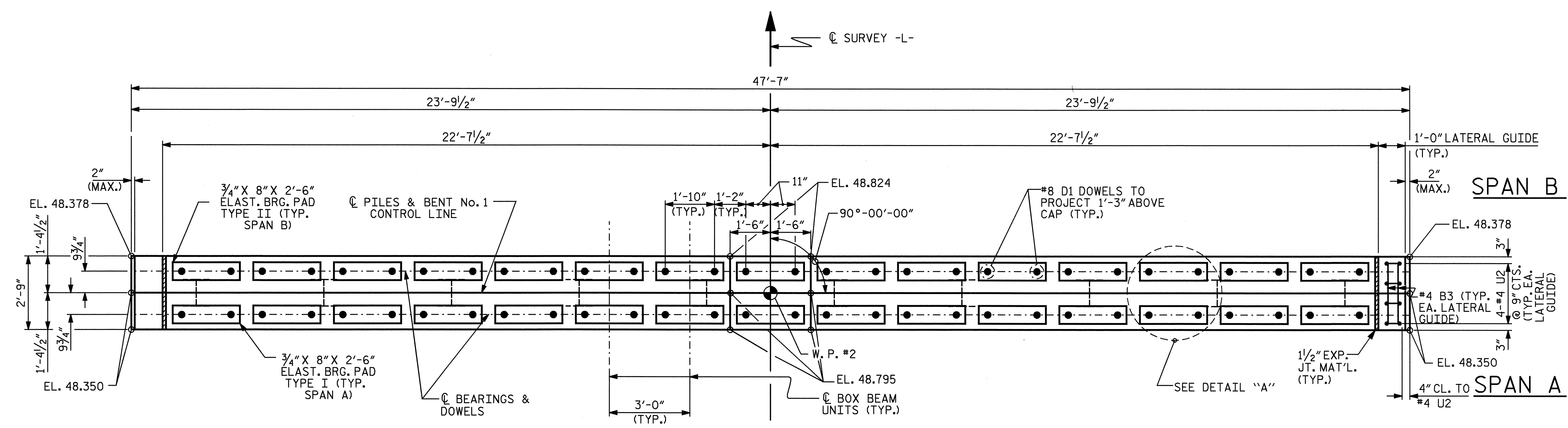
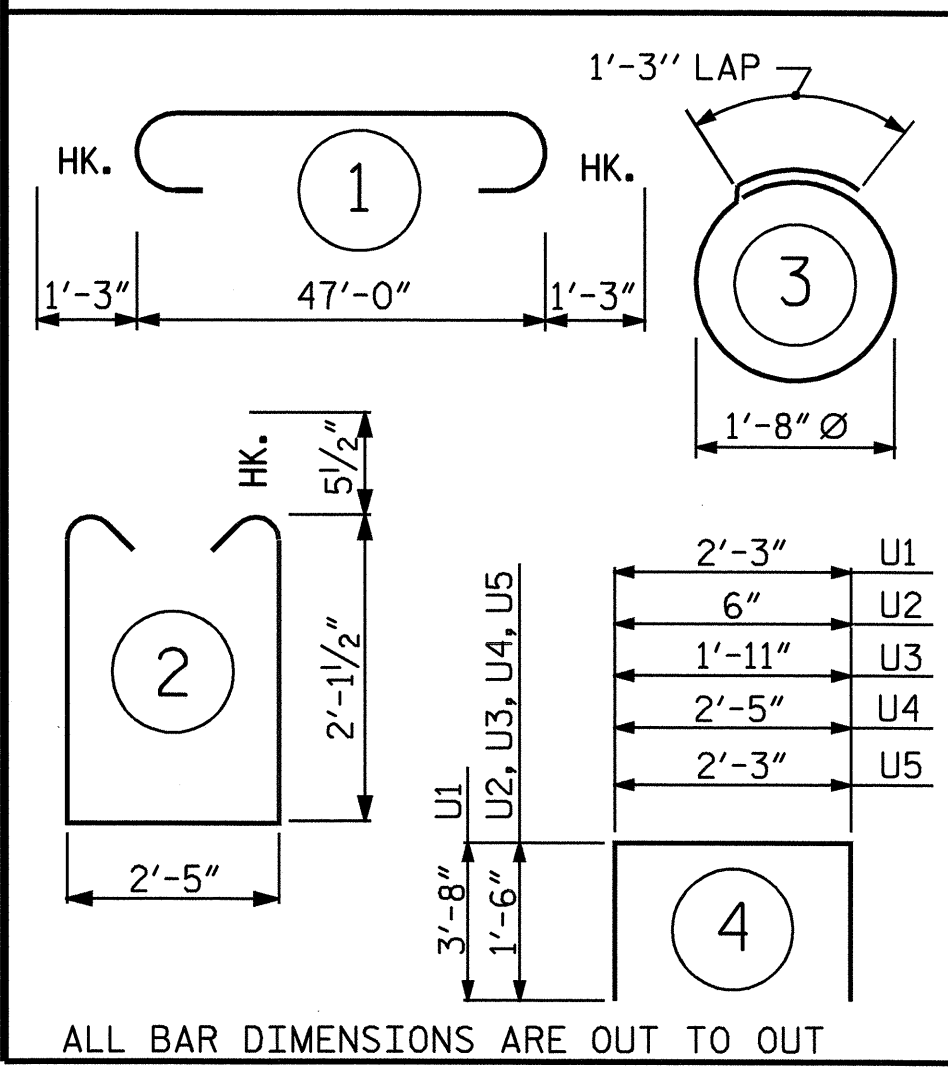
**BILL OF MATERIAL**  
**BENT No. 1**

BAR	NO.	SIZE	TYPE	LENGTH	WEIGHT
B1	4	9		49'-6"	673
B2	16	4	STR	24'-10"	265
B3	16	4	STR	2'-5"	26
B4	4	4	STR	23'-6"	63
B5	4	9	STR	47'-0"	639
D1	60	8	STR	2'-3"	360
S1	42	5	2	7'-7"	332
S2	20	4	3	6'-6"	87
U1	2	9	4	9'-7"	65
U2	8	4	4	3'-6"	19
U3	6	4	4	4'-11"	20
U4	16	4	4	5'-5"	58
U5	4	4	4	5'-3"	14

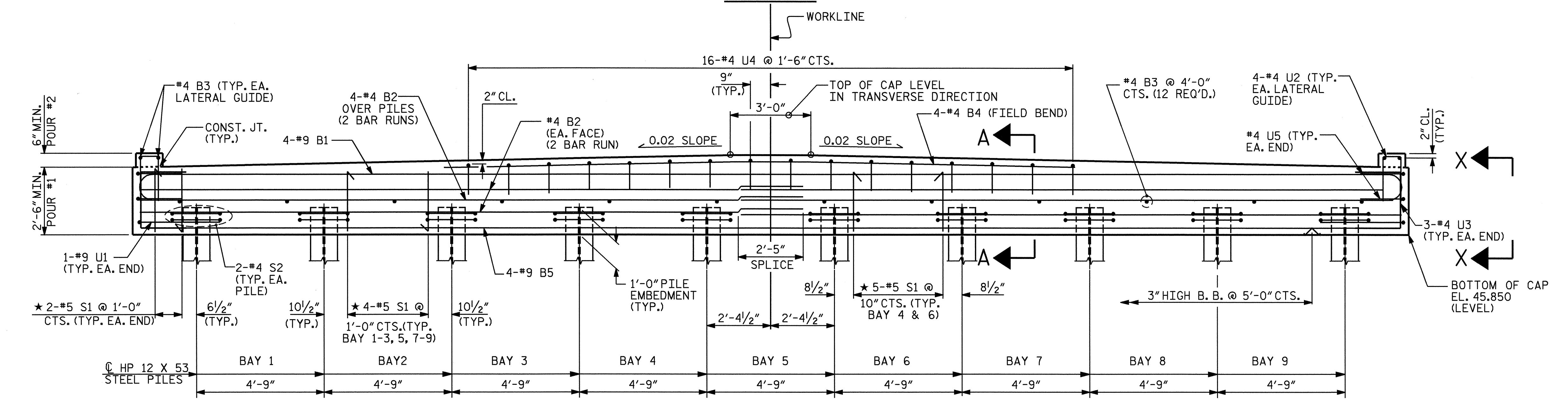
REINFORCING STEEL LBS. 2621

CLASS A CONCRETE BREAKDOWN:  
POUR #1 (CAP) 13.3 C.Y.  
POUR #2 (LATERAL GUIDES) 0.1 C.Y.  
TOTAL 13.4 C.Y.

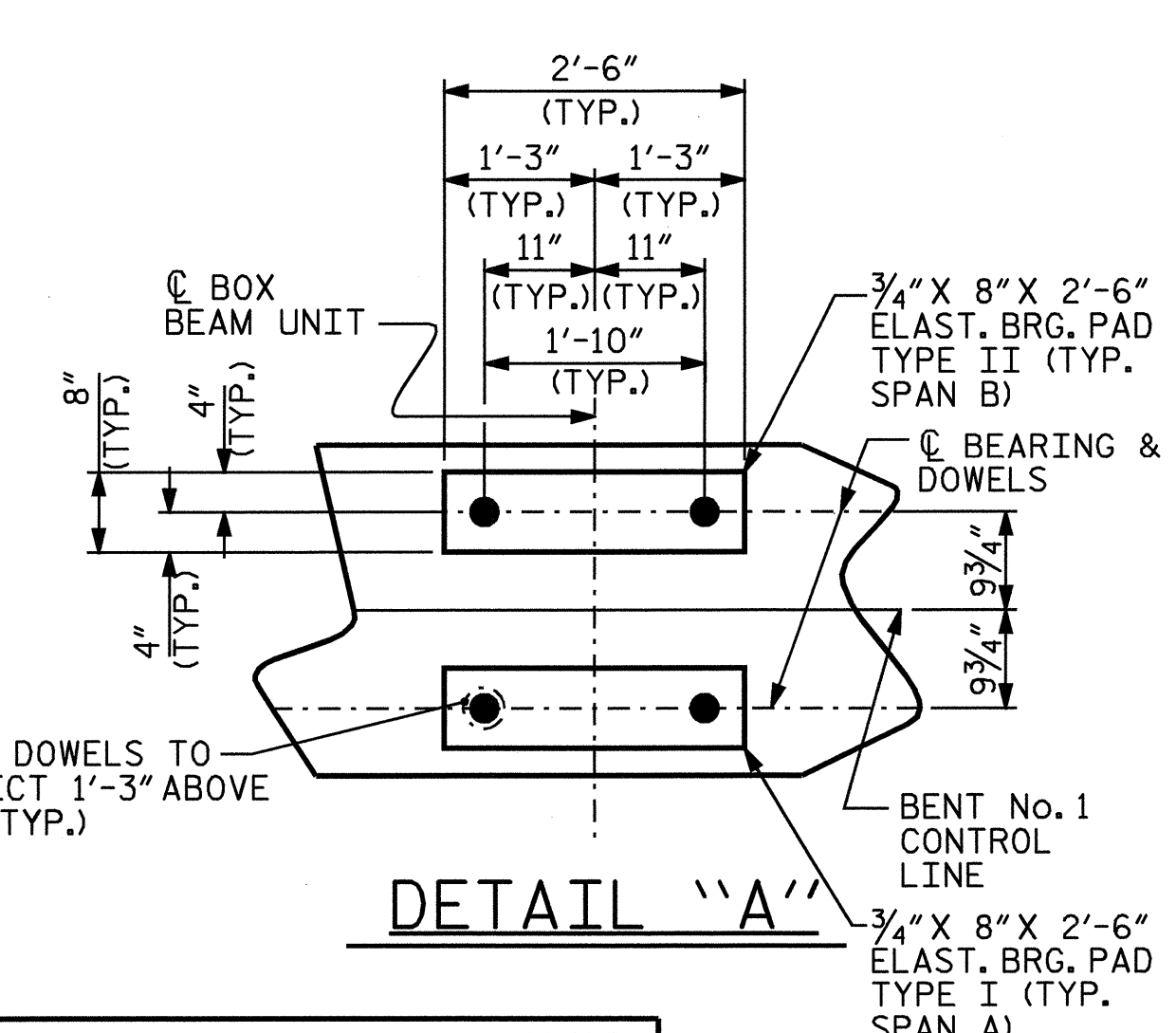
HP 12 X 53 STEEL PILES:  
No. 10 LIN. FT. = 450



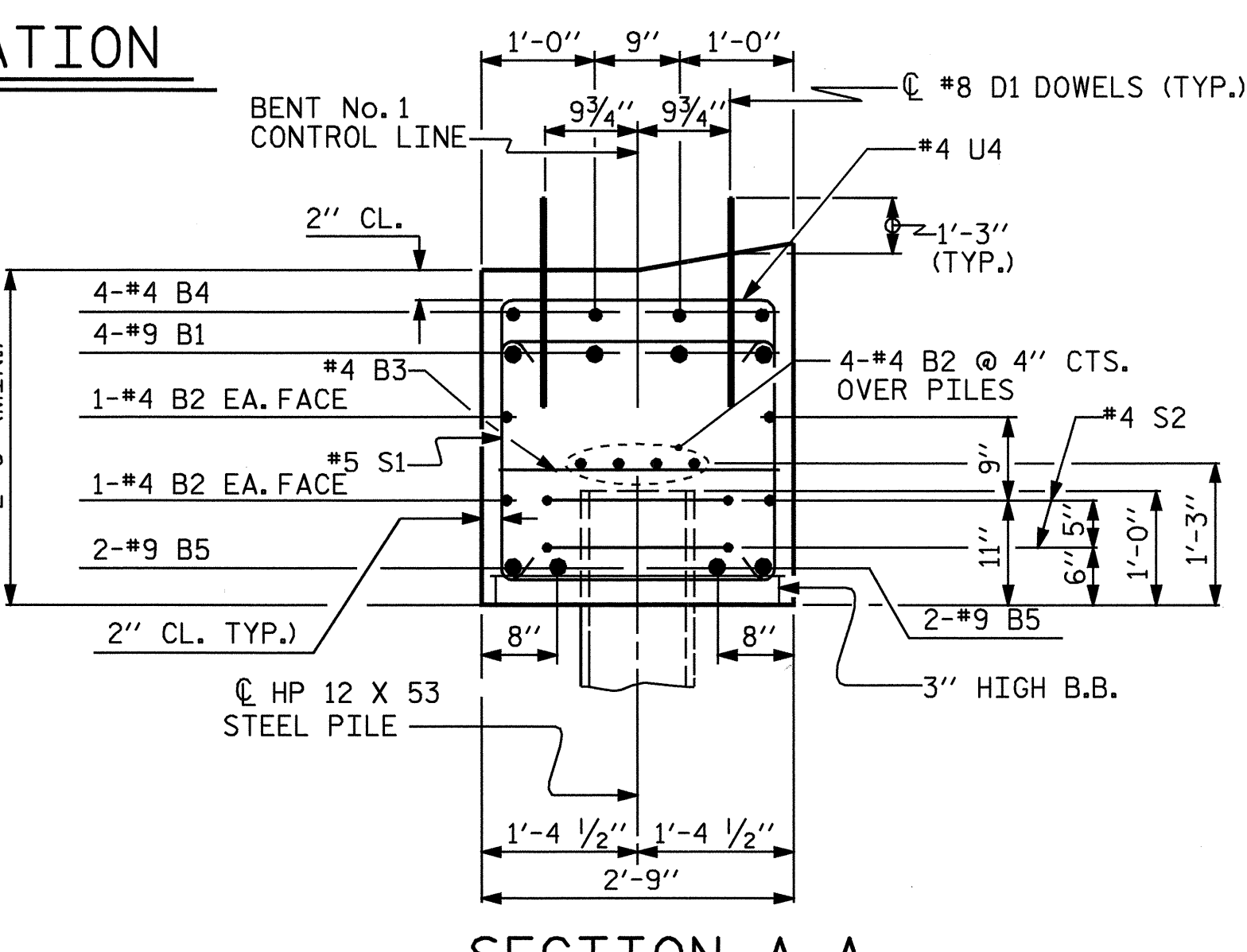
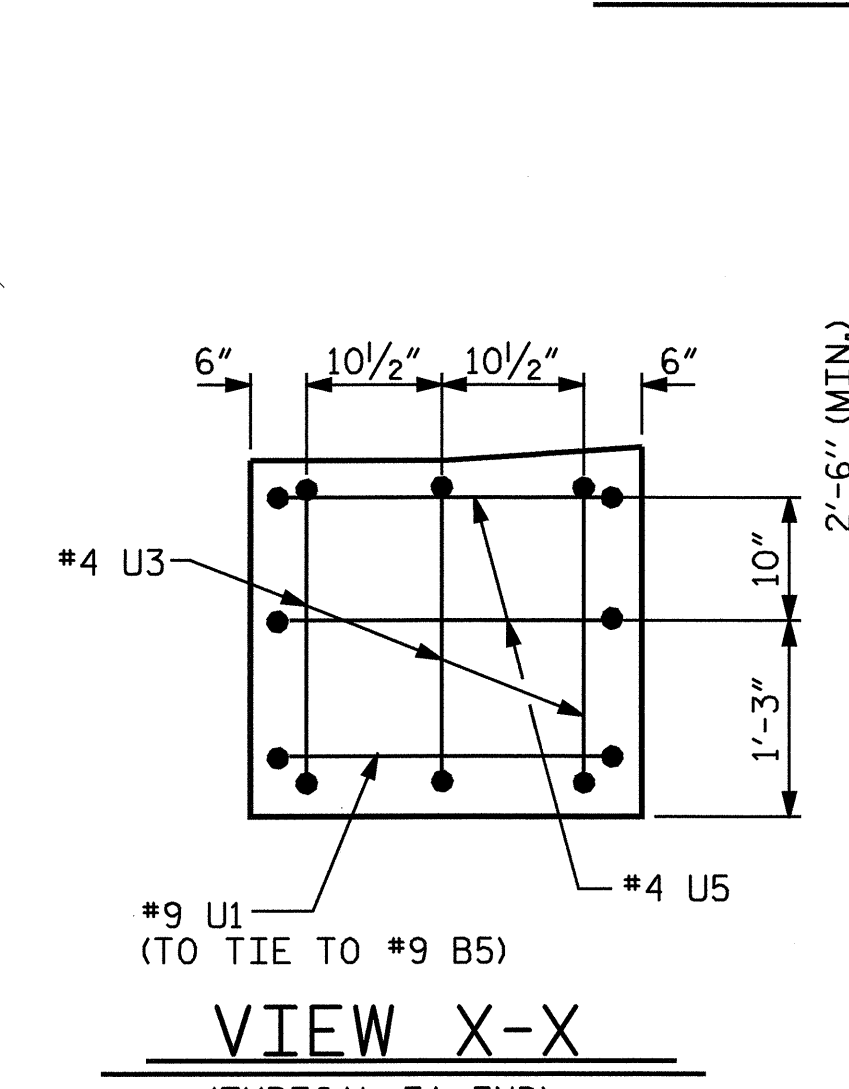
**PLAN**



**ELEVATION**



**DETAIL "A"**



**SECTION A-A**

**NOTES:**  
STIRRUPS IN CAP MAY BE SHIFTED AS NECESSARY TO CLEAR DOWELS.  
THE LATERAL GUIDES ARE NOT TO BE POURED UNTIL AFTER THE BOX BEAMS ARE IN PLACE.  
FOR PILE SPICE DETAILS, SEE END BENT No. 1, SHEET 2 OF 2.  
THE STEEL PILES SHALL BE GALVANIZED IN ACCORDANCE WITH SECTION 1076 OF THE STANDARD SPECIFICATIONS. FOR GALVANIZING STEEL PILES, SEE SPECIAL PROVISIONS.  
\* INVERT ALTERNATE STIRRUPS.

PROJECT NO. B-1303  
NORTHAMPTON COUNTY  
STATION: 18+81.00 -L-

STATE OF NORTH CAROLINA  
DEPARTMENT OF TRANSPORTATION  
RALEIGH

SUBSTRUCTURE  
BENT No. 1

REVISIONS						SHEET NO.
NO.	BY:	DATE:	NO.	BY:	DATE:	S-13
1			3			TOTAL SHEETS 20
2			4			

DRAWN BY : R. G. EMERSON DATE : 01/05  
CHECKED BY : A. R. CHESSON DATE : 02/05

