

NOTES:

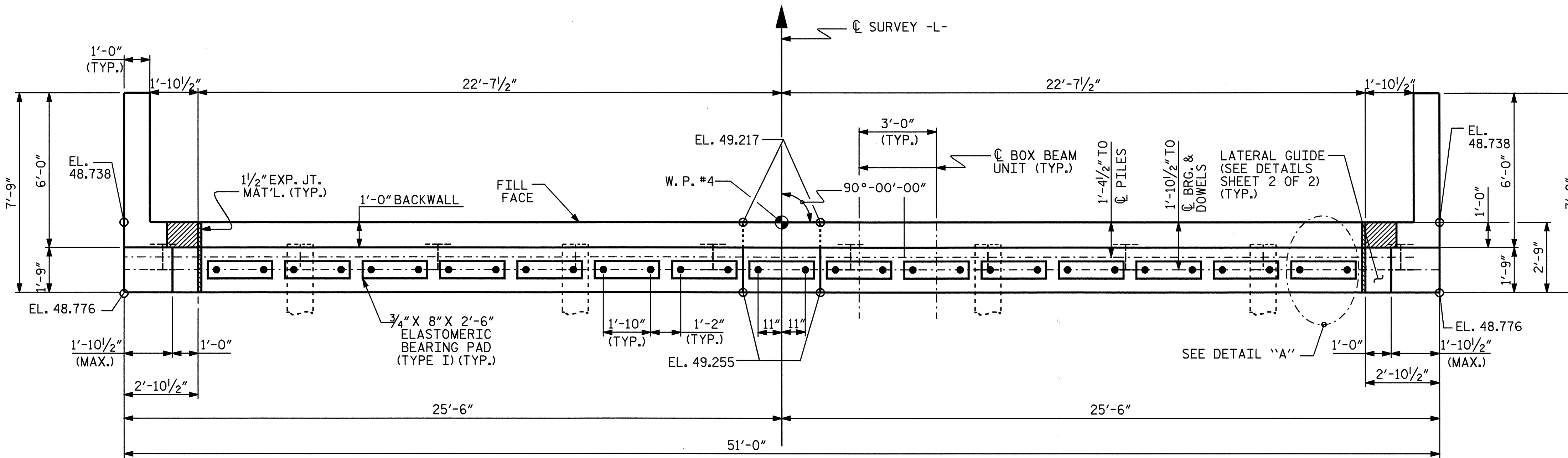
STIRRUPS IN CAP MAY BE SHIFTED AS NECESSARY TO CLEAR DOWELS.

THE LATERAL GUIDE AT EACH END OF THE CAP IS NOT TO BE POURED UNTIL AFTER THE BOX BEAM UNITS ARE IN PLACE.

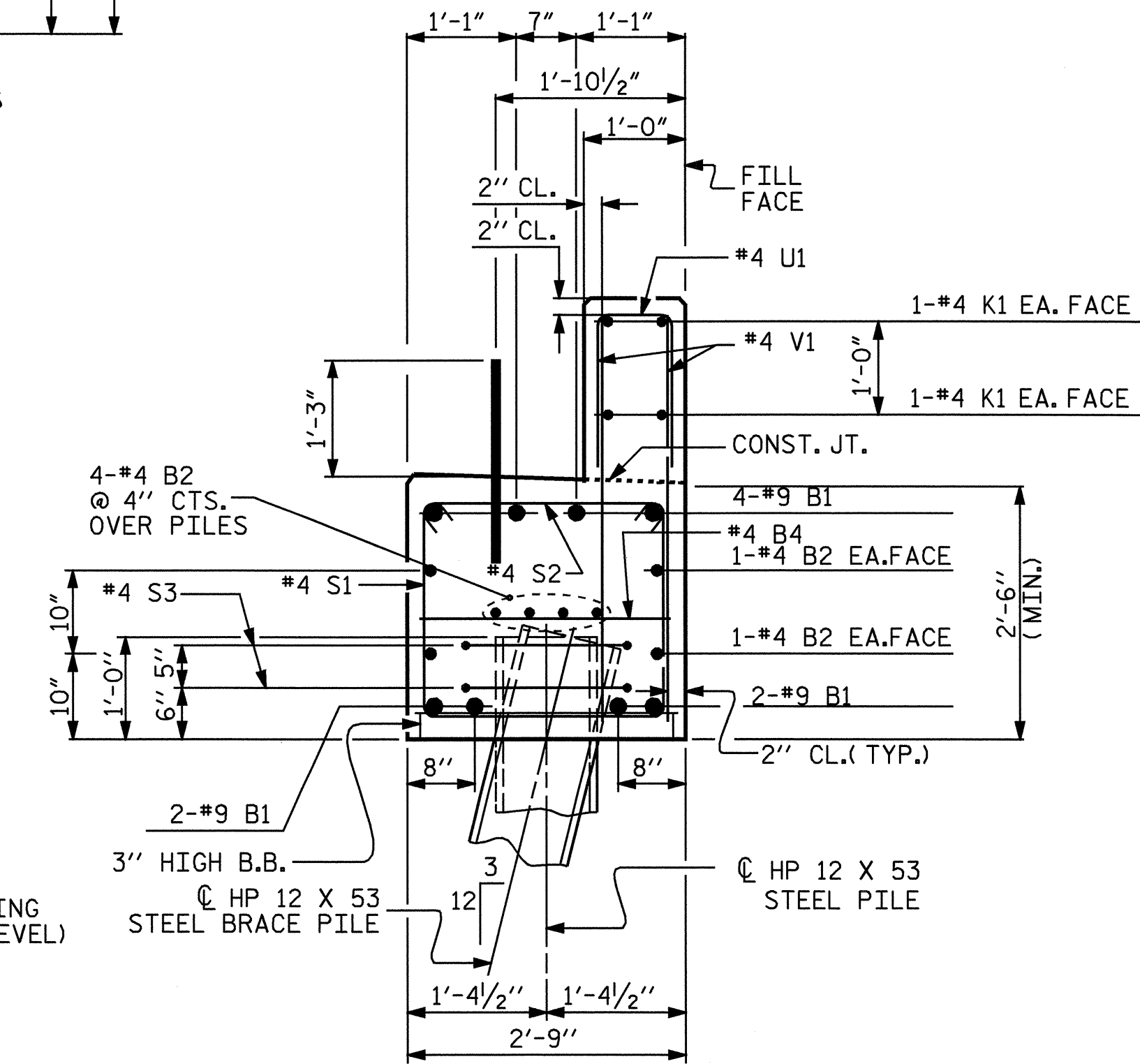
THE CONTRACTOR SHALL PROVIDE FOR INSTALLATION OF THE 4" DIAMETER DRAIN PIPE THROUGH THE WING WALL, AS REQUIRED FOR REINFORCED BRIDGE APPROACH FILLS, SEE THE ROADWAY PLANS. REINFORCING STEEL IN THE WING WALL MAY BE SHIFTED AS NECESSARY TO CLEAR THE DRAIN PIPE.

FOR PILE SPLICE DETAILS, SEE END BENT No. 1, SHEET 2 OF 2.

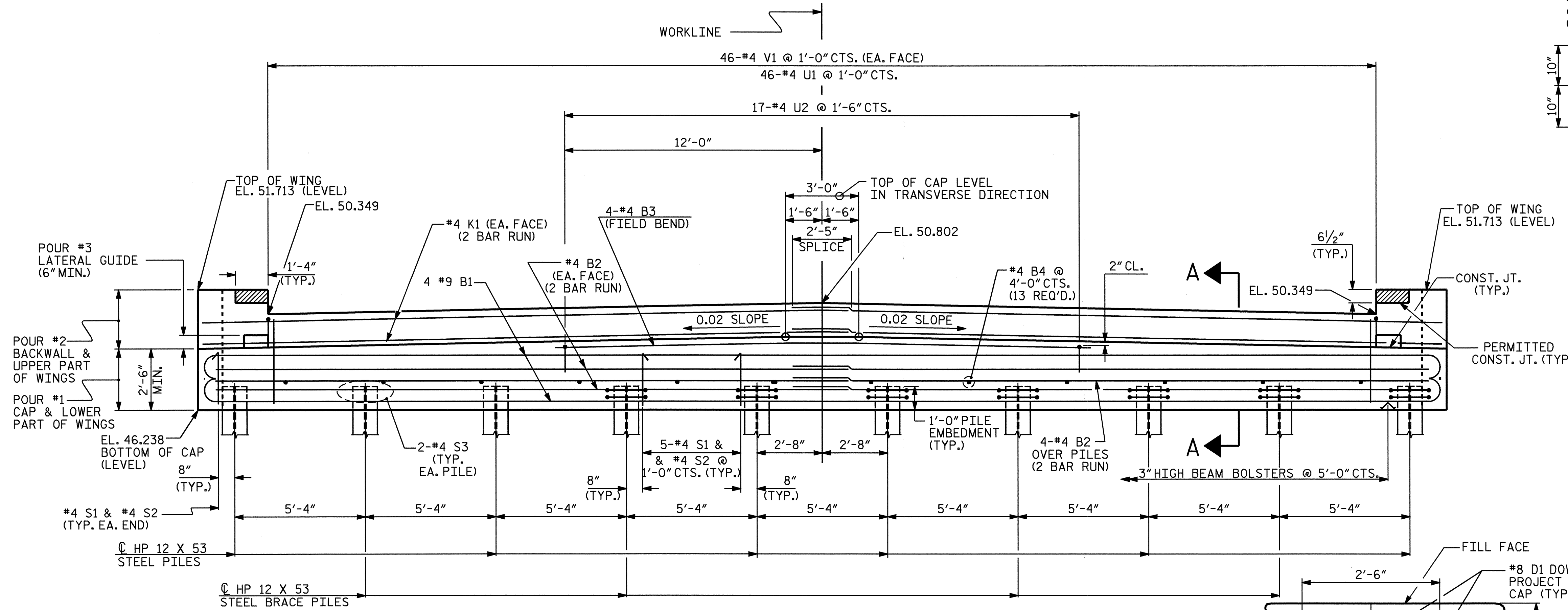
THE CONCRETE IN THE SHADED AREA OF THE WING SHALL BE POURED AFTER THE BARRIER RAIL IS CAST IF SLIP FORMING IS USED AND THE JOINT BETWEEN THE DECK AND THE APPROACH SLAB HAS BEEN SAWED.



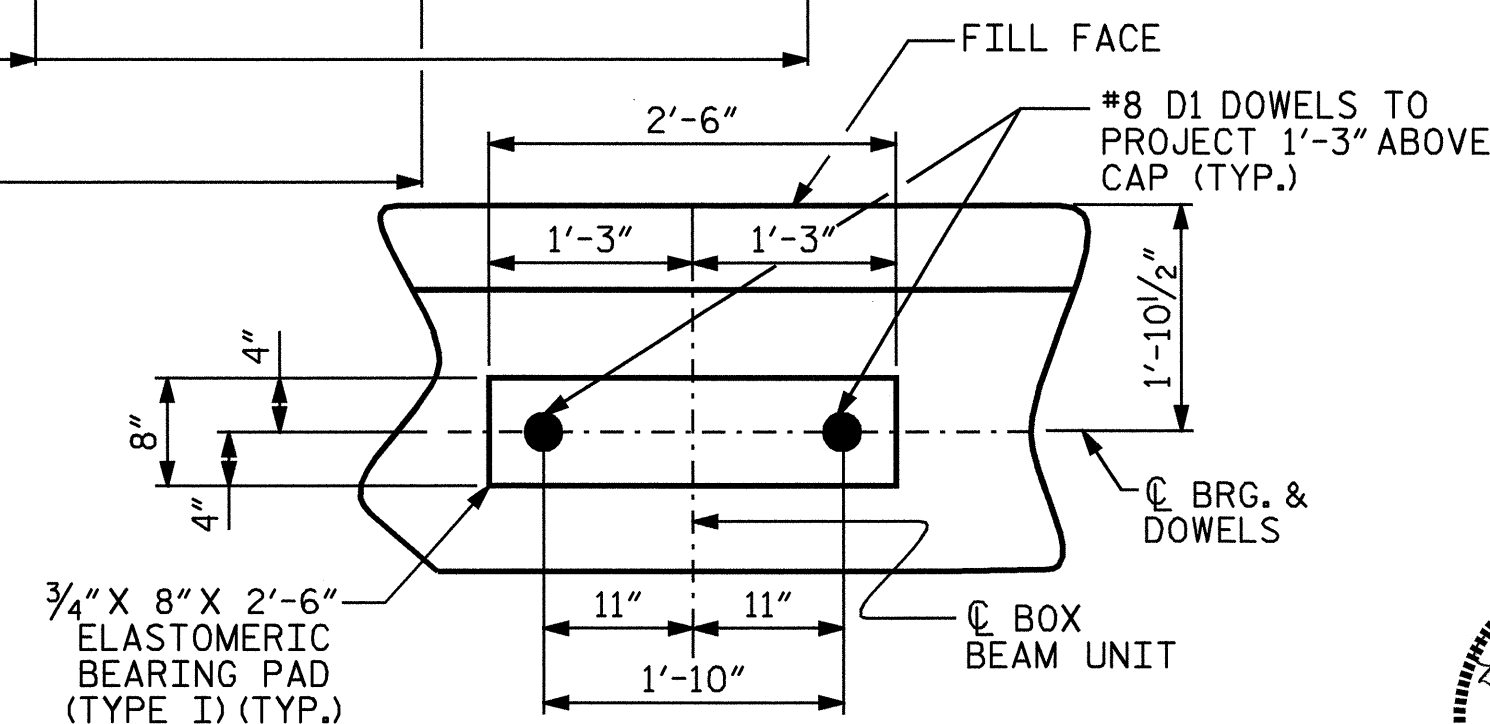
PLAN



SECTION A-A



ELEVATION



DETAIL "A"

(TYP. EA. BEARING)

PROJECT NO. B-1303
NORTHAMPTON COUNTY
STATION: 18+81.00 -L-

SHEET 1 OF 2

STATE OF NORTH CAROLINA
DEPARTMENT OF TRANSPORTATION
RALEIGH

SUBSTRUCTURE

END BENT No. 2

REVISIONS				SHEET NO.	
NO.	BY:	DATE:	NO.	BY:	DATE:
1			3		
2			4		

DRAWN BY : R. G. EMERSON DATE : 01/05
CHECKED BY : B. N. GRADY DATE : 02/05

08-AUG-2005 14:45
RA\STRUCT\1303\1303\remerson\Microstation\B1303.sd.EB.dgn
mbr111+

