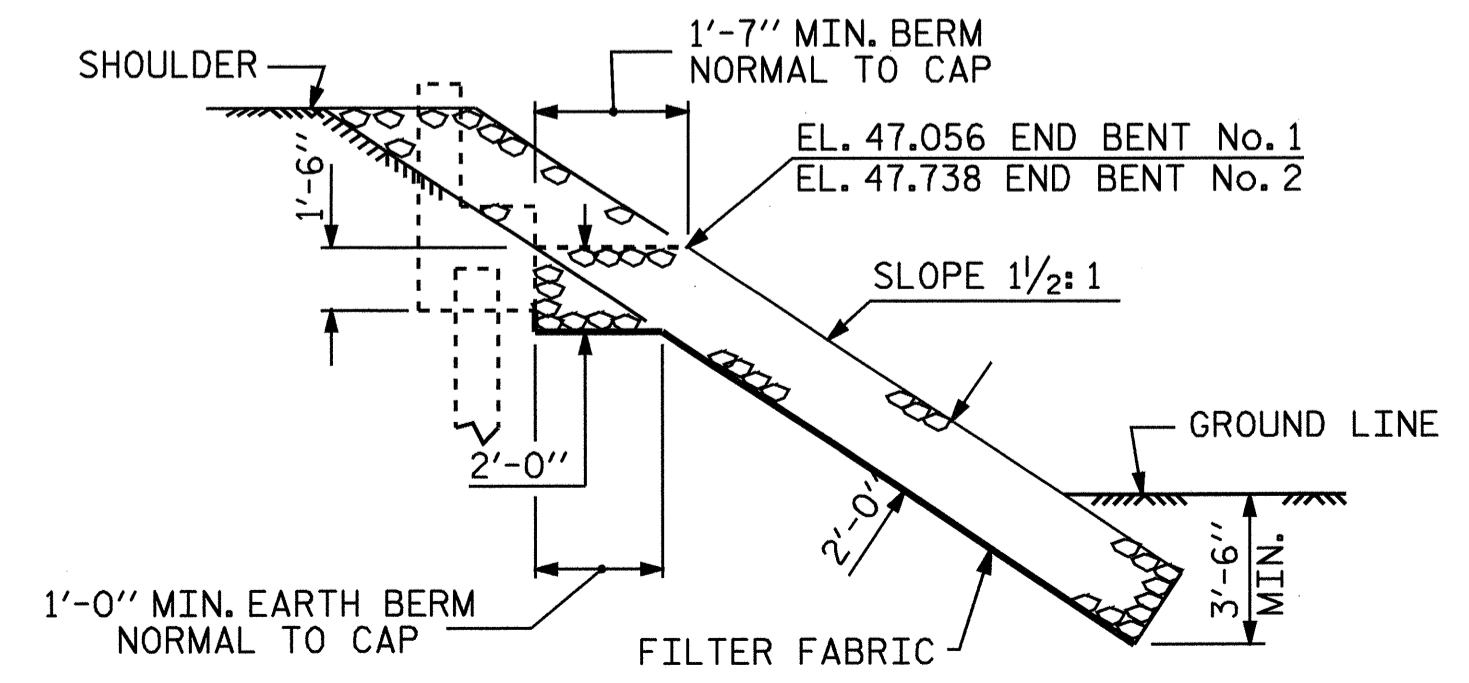


PLAN OF RIP RAP

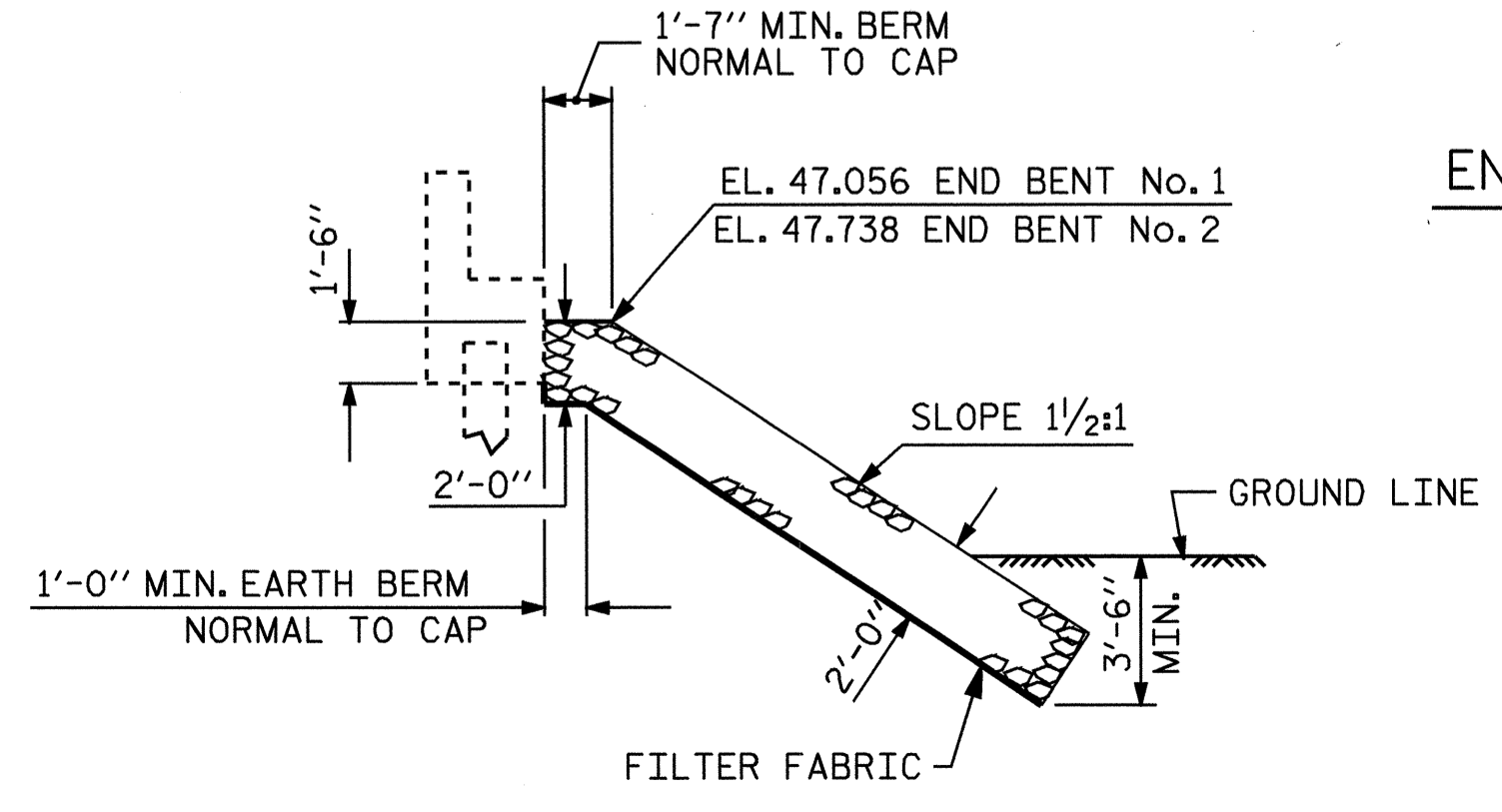
ESTIMATED QUANTITIES		
BRIDGE @ STA. 18+81.00 -L-	PLAIN RIP RAP CLASS II	FILTER FABRIC FOR DRAINAGE
	TONS	SQUARE YARDS
END BENT No. 1	280	310
END BENT No. 2	300	330

END BENT No. 1



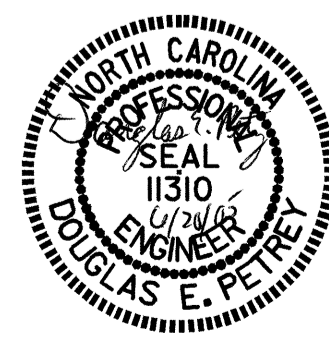
SECTION H-H

END BENT No. 2



SECTION G-G  
BERM RIP RAPPED

PROJECT NO. B-1303  
NORTHAMPTON COUNTY  
STATION: 18+81.00 -L-



STATE OF NORTH CAROLINA DEPARTMENT OF TRANSPORTATION RALEIGH					
RIP RAP DETAILS					
REVISIONS					
NO.	BY:	DATE:	NO.	BY:	DATE:
1			3		
2			4		

DRAWN BY: R. G. EMERSON DATE: 12/04  
CHECKED BY: A. V. ROYAL DATE: 01/05

14-JUN-2005 11:17  
RASTRUCT\B1303\B1303\emerson\Microstation\B1303.sd\_RR.dgn  
bngrady

SKEW 90°

STD. NO. RR2