

TIP PROJECT: B-1303

STATE OF NORTH CAROLINA
 DIVISION OF HIGHWAYS
 PLAN FOR PROPOSED
 HIGHWAY EROSION CONTROL
NORTHAMPTON COUNTY

**LOCATION: BRIDGE NO. 76 OVER ROANOKE RIVER OVERFLOW
 ON US 258 SOUTHWEST OF RICH SQUARE**

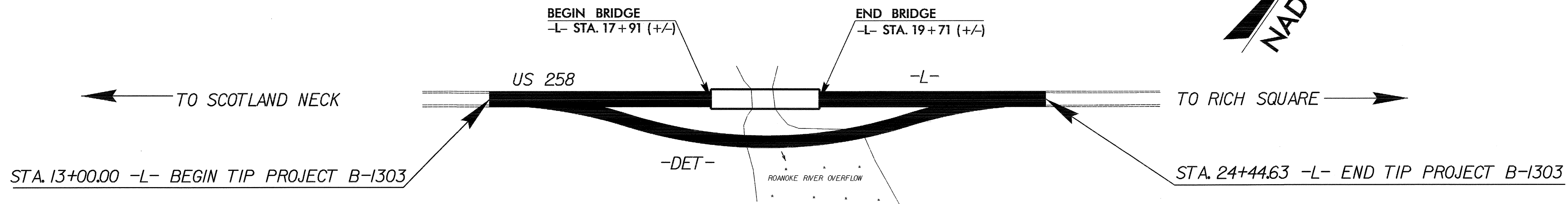
**TYPE OF WORK: GRADING, DRAINAGE, GUARDRAIL,
 PAVING, STRUCTURE, AND SIGNING**

STATE NO.	STATE PROJECT REFERENCE NO.	SHEET NO.	TOTAL SHEETS
N.C.	B-1303	EC-1	
STATE PROJ. NO.	F.A. PROJ. NO.	DESCRIPTION	

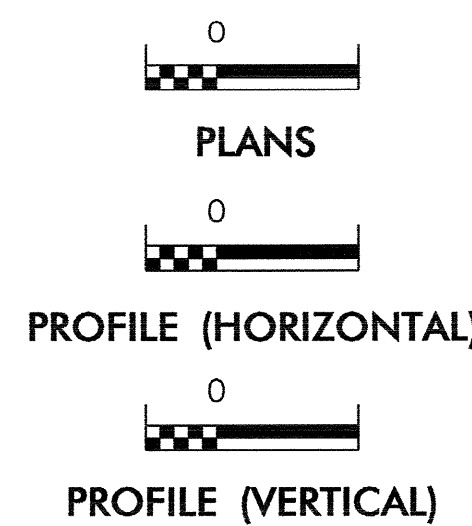
EROSION AND SEDIMENT CONTROL MEASURES

Std. #	Description	Symbol
	Streambank Reforestation.....	
1630.03	Temporary Silt Ditch.....	
1630.05	Temporary Diversion.....	
1605.01	Temporary Silt Fence.....	
1606.01	Special Sediment Control Fence.....	
1622.01	Temporary Berms and Slope Drains.....	
1630.01	Riser Basin.....	
1630.02	Silt Basin Type B.....	
1633.01	Temporary Rock Silt Check Type-A.....	
1633.02	Temporary Rock Silt Check Type-B.....	
1634.01	Temporary Rock Sediment Dam Type-A.....	
1634.02	Temporary Rock Sediment Dam Type-B.....	
1635.01	Rock Pipe Inlet Sediment Trap Type-A.....	
1635.02	Rock Pipe Inlet Sediment Trap Type-B.....	
1636.01	Rock Silt Screen.....	
1630.04	Stilling Basin.....	
	Rock Inlet Sediment Trap:	
1632.01	Type A.....	
1632.02	Type B.....	
1632.03	Type C.....	

THIS PROJECT CONTAINS
 EROSION CONTROL PLANS
 FOR CLEARING AND
 GRUBBING PHASE OF
 CONSTRUCTION.



GRAPHIC SCALE



ROADSIDE ENVIRONMENTAL UNIT
 DIVISION OF HIGHWAYS
 STATE OF NORTH CAROLINA

Prepared In the Office of:
ROADSIDE ENVIRONMENTAL UNIT
 1 South Wilmington St.
 Raleigh, NC 27611
2002 STANDARD SPECIFICATIONS

Roadway Standard Drawings
 The following roadway english standards as appear in "Roadway Standard Drawings"- Roadway Design Unit - N. C. Department of Transportation - Raleigh, N. C., dated January 20, 2002 and the latest revision thereto are applicable to this project and by reference hereby are considered a part of these plans.

1605.01 Temporary Silt Fence	1632.03 Rock Inlet Sediment Trap Type C
1622.01 Temporary Berms and Slope Drains	1633.01 Temporary Rock Silt Check Type A
1630.03 Temporary Silt Ditch	1634.02 Temporary Rock Sediment Dam Type B