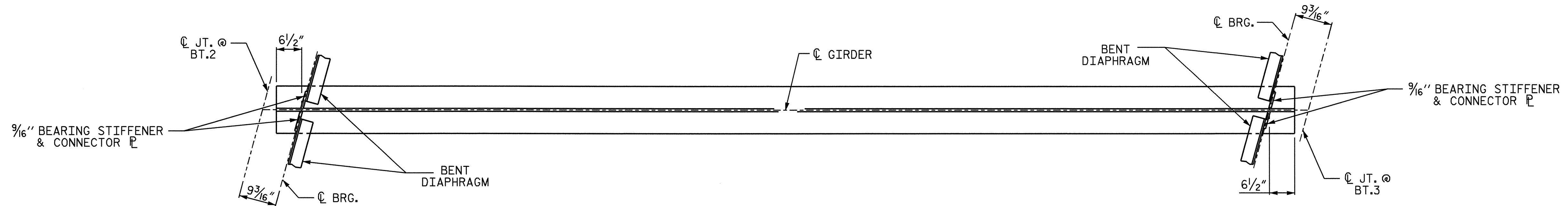


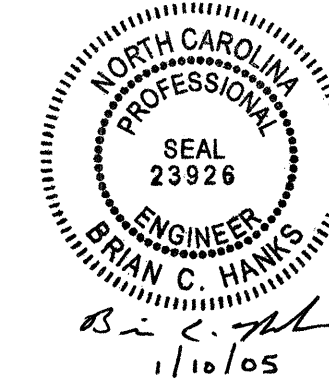
GIRDER ELEVATION
(SPAN C)



BOTTOM FLANGE DETAIL

PROJECT NO. U-3837
FORSYTH COUNTY
 STATION: 21+64.07-L-

SHEET 3 OF 6
 STATE OF NORTH CAROLINA
 DEPARTMENT OF TRANSPORTATION
 RALEIGH
 SUPERSTRUCTURE
 STRUCTURAL STEEL
 DETAILS
 (SPAN C)
 (LEFT LANE WIDENING)



DRAWN BY: William J. Parker DATE: 02/03/04
 CHECKED BY: K. K. PUROHIT DATE: 5/25/04

REVISIONS						SHEET NO.
NO.	BY:	DATE:	NO.	BY:	DATE:	S-12
1			3			TOTAL SHEETS
2			4			78