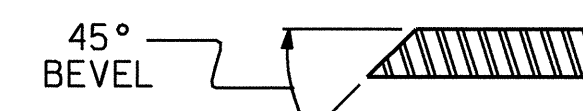


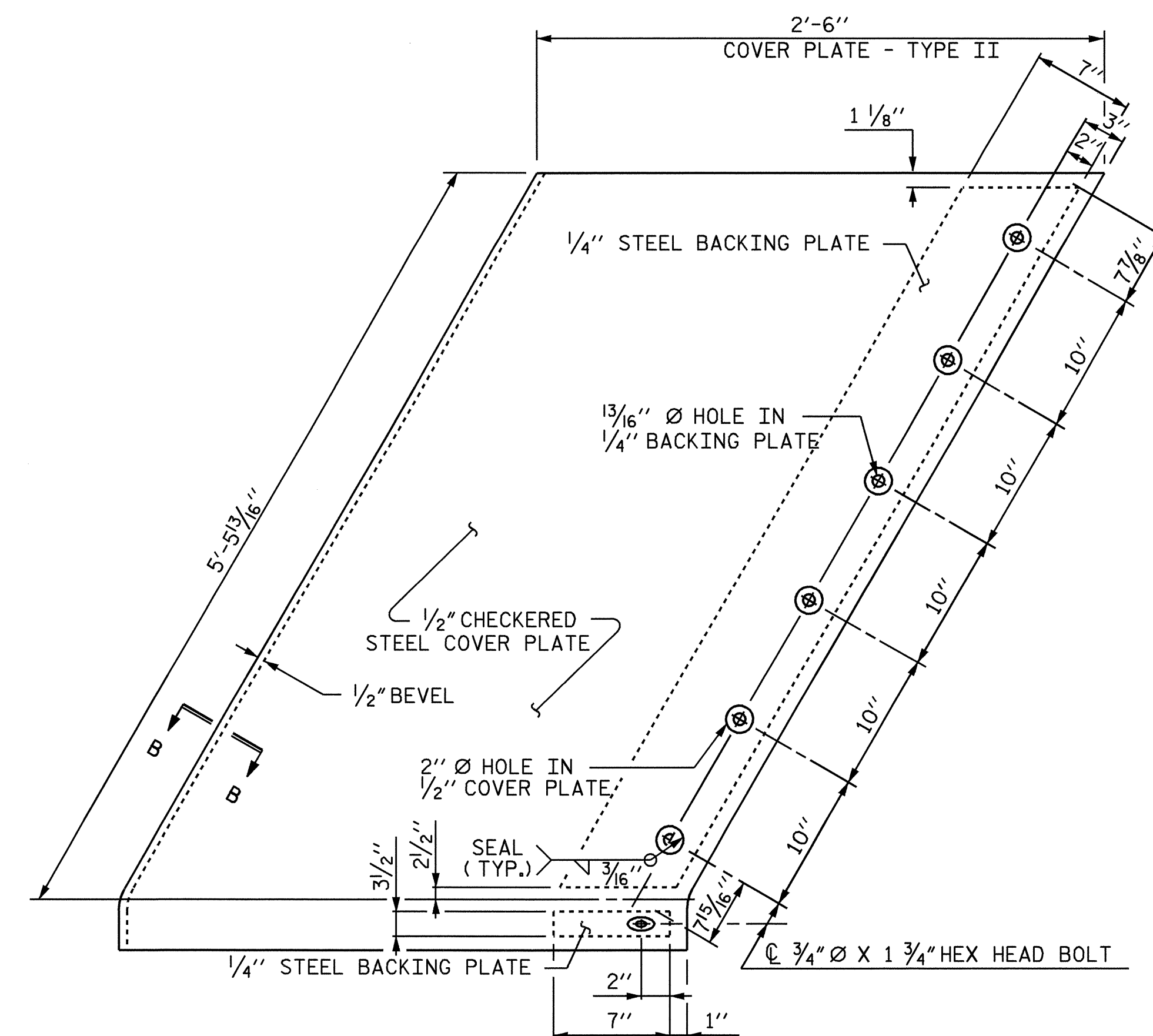
END VIEW  
(NORMAL TO SIDEWALK)

\* CONCRETE RECESS DIMENSIONS:

- 1 3/16" FOR THE SIDE OF THE JOINT HAVING THE 1/2" COVER PLATE WITH A 1/4" BACKING PLATE.
- 9/16" FOR THE SIDE OF THE JOINT HAVING ONLY THE 1/2" COVER PLATE.

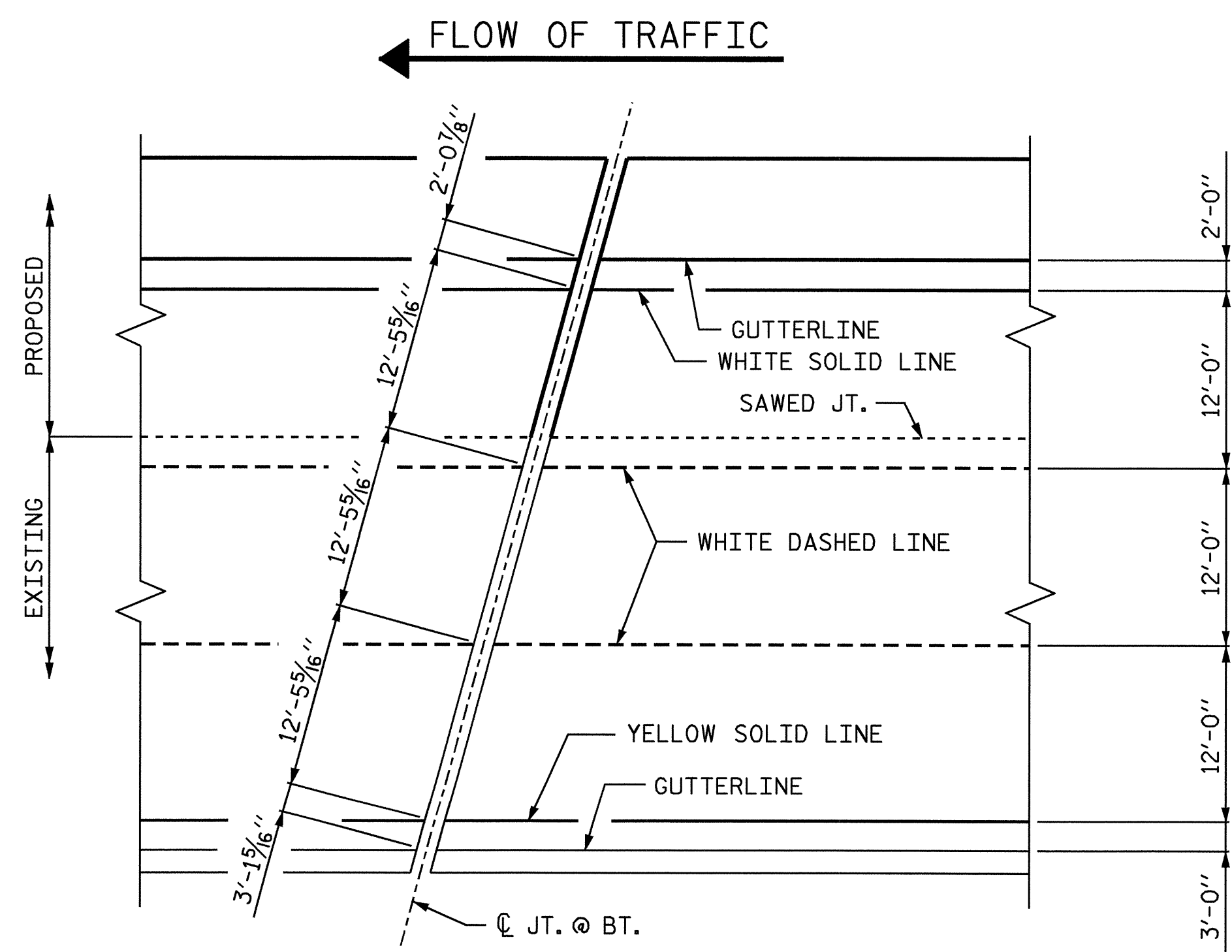


SECTION B - B

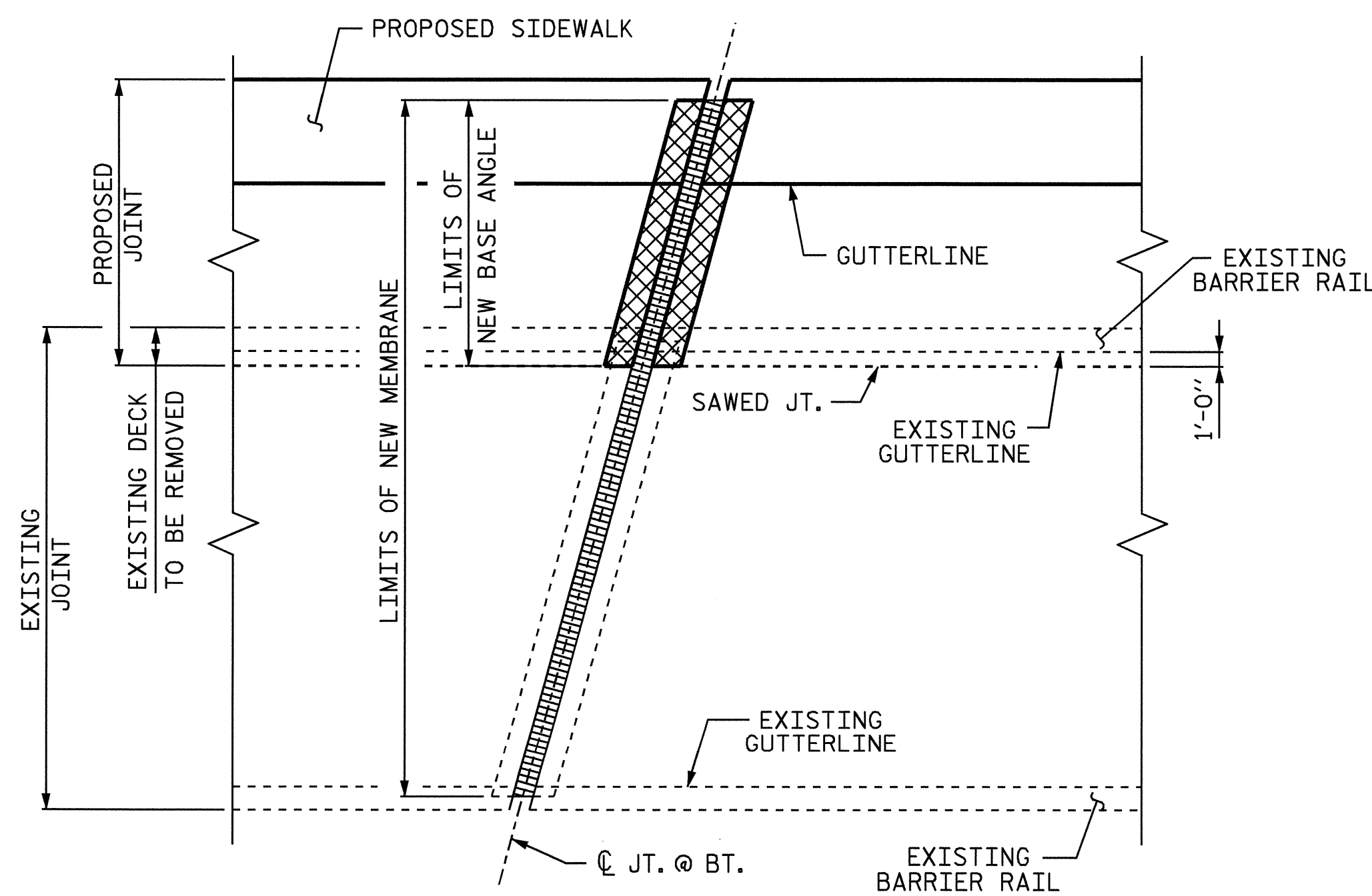


TYPE II - PLAN VIEW

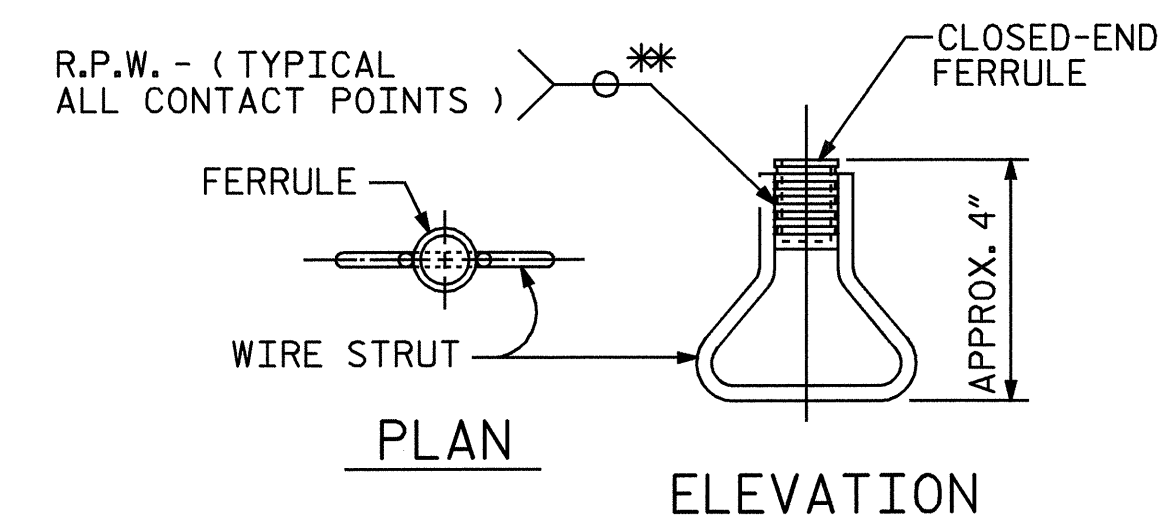
COVER PLATE DETAILS



PAVEMENT MARKING ALIGNMENT  
(TYP. FOR ALL BENTS)



REMOVAL AND REPLACEMENT SKETCH  
(TYP. FOR ALL BENTS)



CONCRETE INSERT

\*\* EACH WELDED ATTACHMENT OF WIRE TO FERRULE SHALL DEVELOP THE TENSILE STRENGTH OF THE WIRE.

PROJECT NO. U-3837  
FORSYTH COUNTY  
STATION: 21+64.07 -L-

SHEET 3 OF 3

STATE OF NORTH CAROLINA  
DEPARTMENT OF TRANSPORTATION  
RALEIGH

STANDARD  
EXPANSION JOINT  
SEAL DETAILS  
FOR SIDEWALK



ASSEMBLED BY : William J. Parker	DATE : 02/03/04
CHECKED BY : K. K. PUROHIT	DATE : 5/25/04
DRAWN BY : REK 10/87	REV. 2/6/97 EEM/RGW
CHECKED BY : CRK 1/88	REV. 7/17/98 RWW/LES
	REV. 10/17/00 RWW/LES

REVISIONS						SHEET NO.
NO.	BY:	DATE:	NO.	BY:	DATE:	S-27
1			3			TOTAL SHEETS
2			4			78