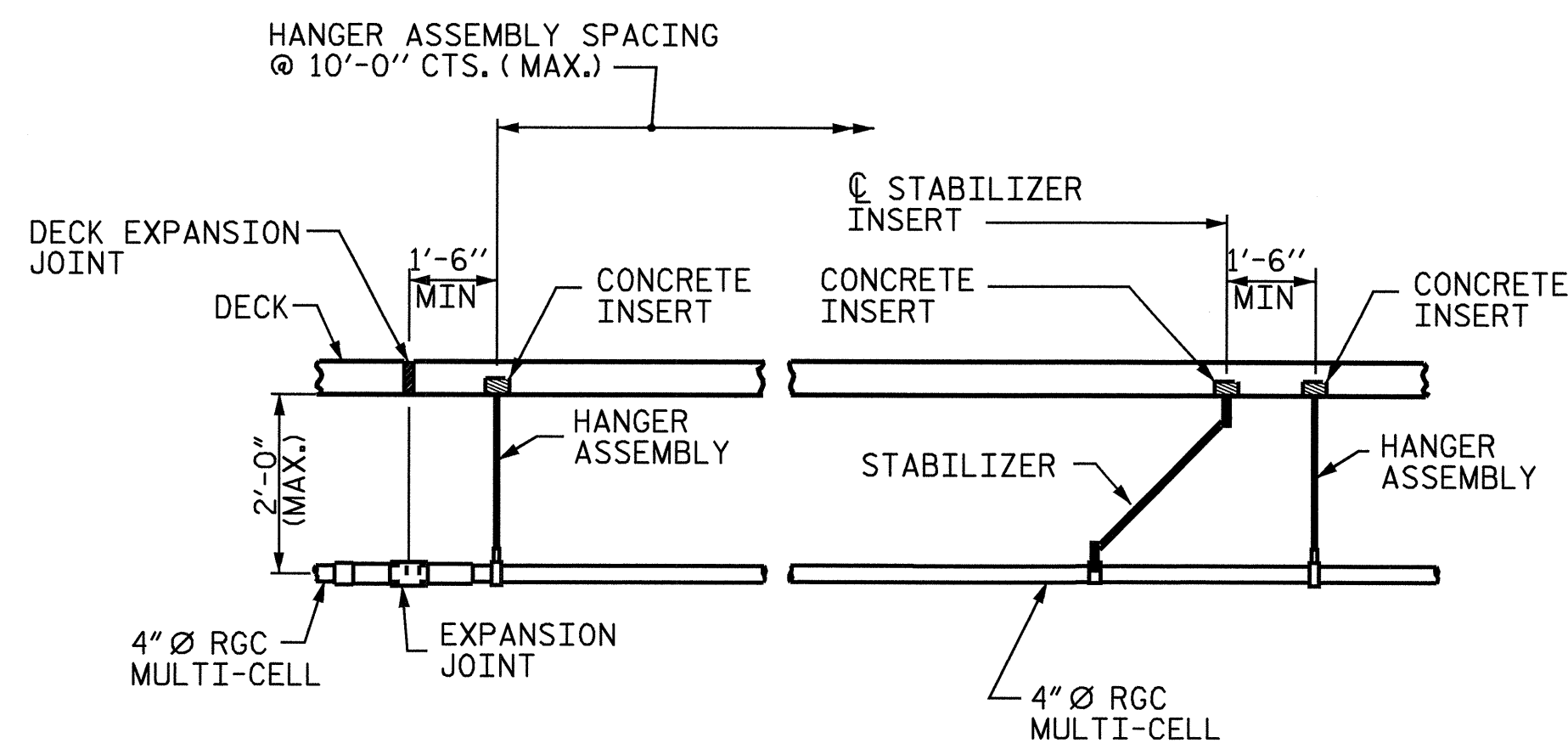
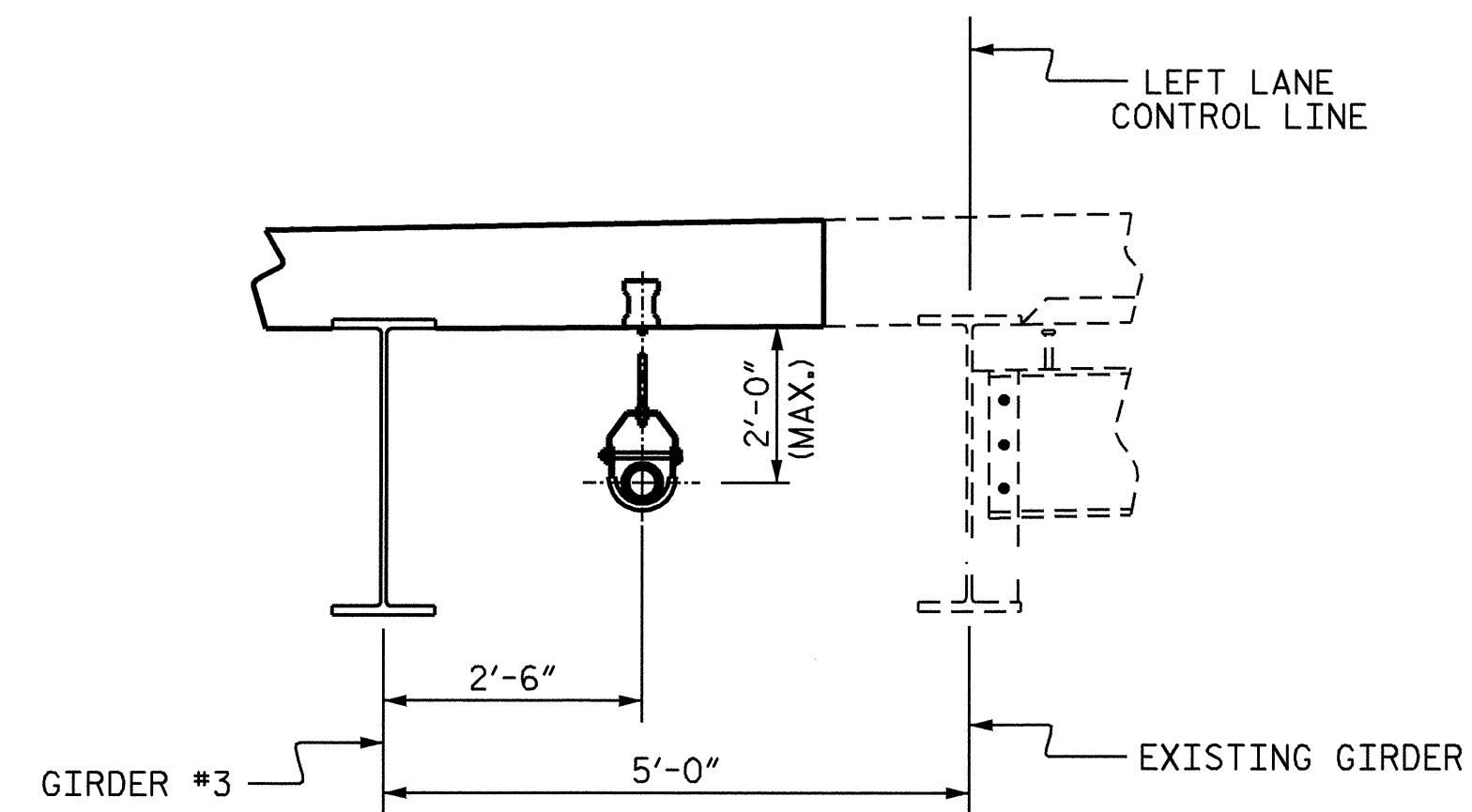


**ELECTRICAL CONDUIT LAYOUT**



**VIEW B-B**



**CONDUIT LOCATION**

PROJECT NO. U-3837  
FORSYTH COUNTY  
 STATION: 21+64.07 -L-

SHEET 1 OF 2

STATE OF NORTH CAROLINA  
 DEPARTMENT OF TRANSPORTATION  
 RALEIGH

**ELECTRICAL CONDUIT SYSTEM DETAILS**



DRAWN BY : B. C. HANKS DATE : 11/18/04  
 CHECKED BY : K. W. ALFORD DATE : 11/19/04

07-JAN-2005 15:09  
 W:\squadg\TURNED\U3837\FINAL\STR\U3837\_sd\_eos.01.dgn  
 Kalford

REVISIONS						SHEET NO.
NO.	BY:	DATE:	NO.	BY:	DATE:	S-39
1			3			TOTAL SHEETS
2			4			78