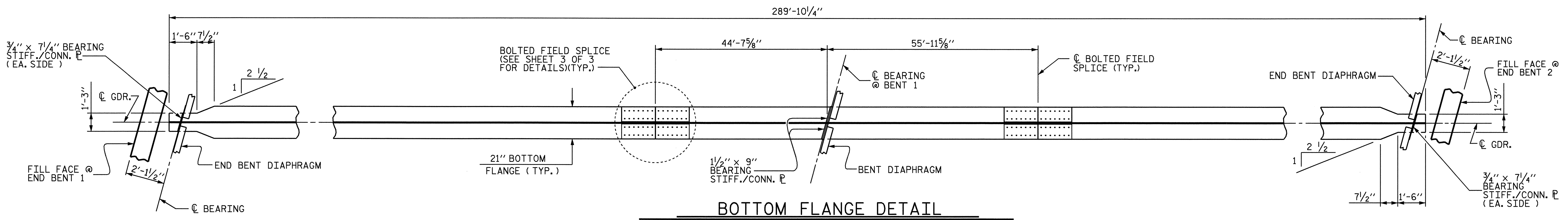
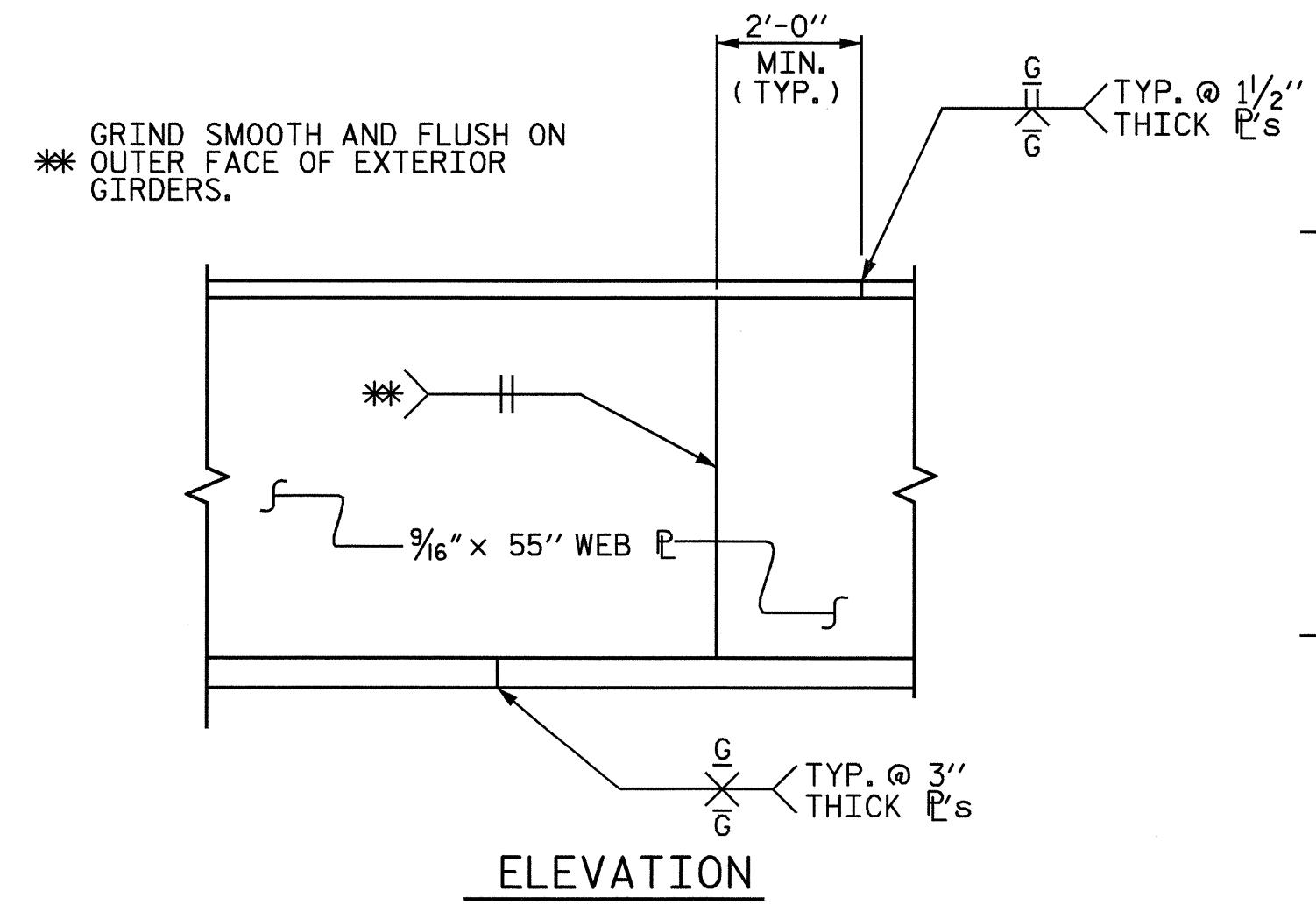


PLATE GIRDER ELEVATION

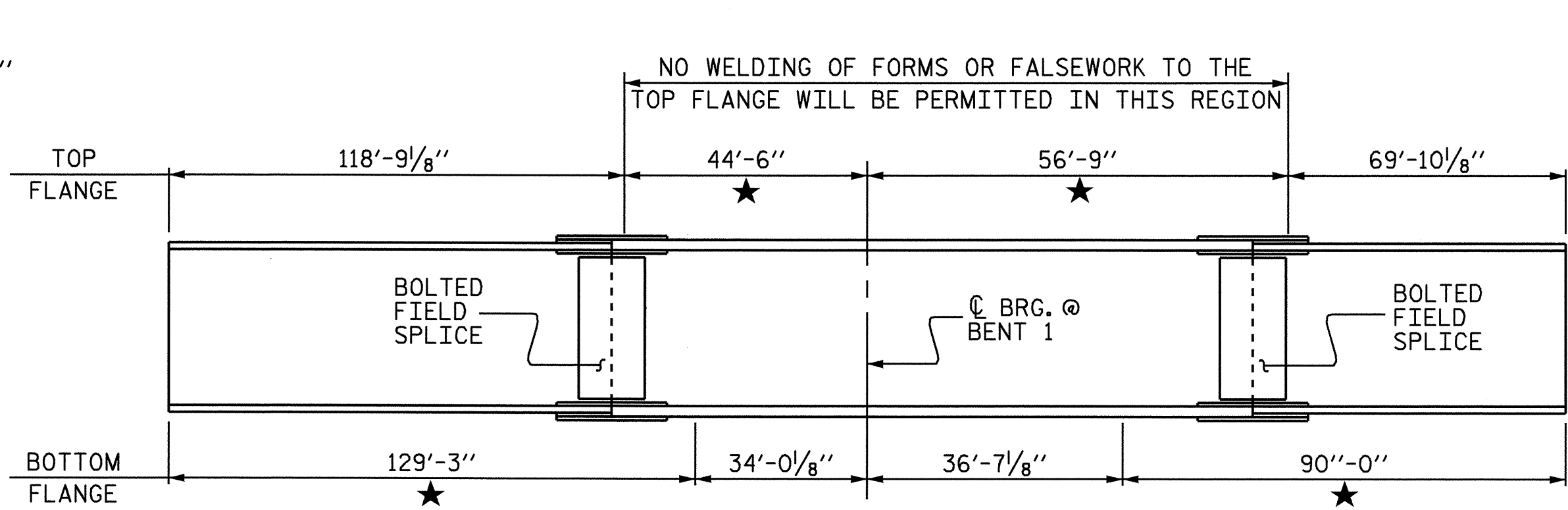


BOTTOM FLANGE DETAIL



ELEVATION

PERMISSIBLE SHOP FLANGE & WEB SPLICE



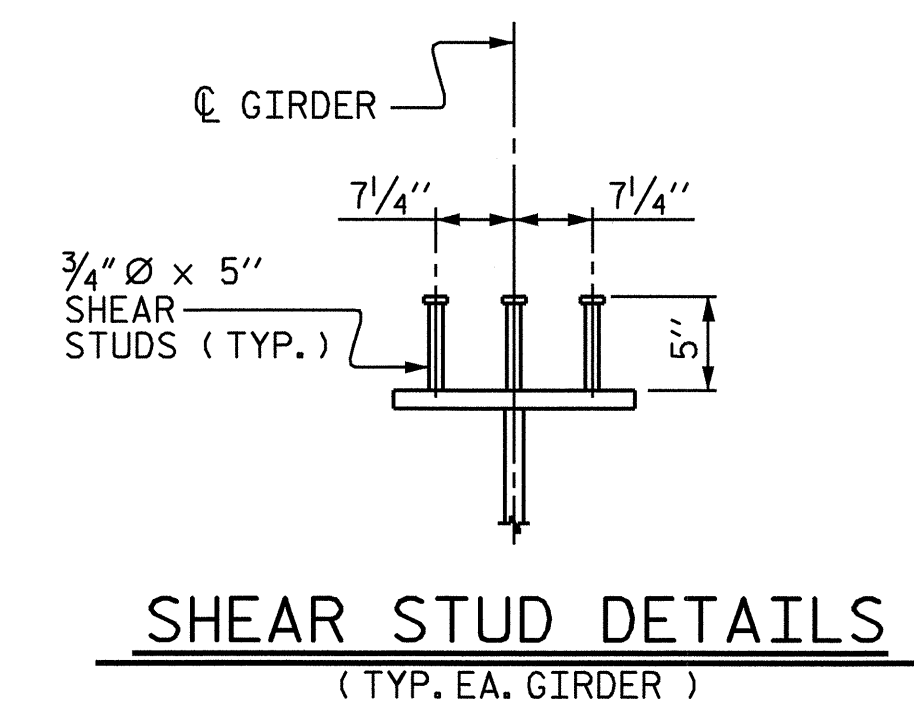
★ CHARPY V-NOTCH TESTS ARE REQUIRED FOR FLANGE PLATES WHICH FALL WITHIN THESE LIMITS.

A CHARPY V-NOTCH TEST IS REQUIRED FOR WEB PLATES, WEB SPLICE PLATES AND FLANGE SPLICE PLATES FOR ALL GIRDERS AND IN ACCORDANCE WITH ARTICLE 1072-9 OF THE STANDARD SPECIFICATIONS.

IF THE PERMITTED SHOP FLANGE SPLICES ARE NOT USED, CHARPY V-NOTCH TESTS WILL BE REQUIRED FOR THE ENTIRE FLANGE PLATE.

FOR CHARPY V-NOTCH TESTS, SEE ARTICLE 1072-9 OF THE STANDARD SPECIFICATIONS.

CHARPY V-NOTCH TEST FOR GIRDERS

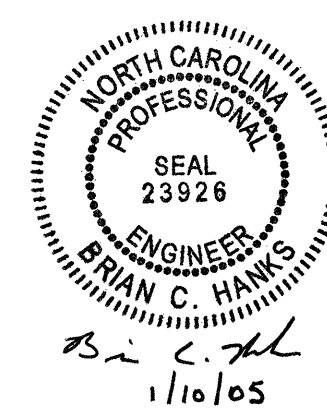


SHEAR STUD DETAILS
(TYP. EA. GIRDER)

PROJECT NO. U-3837
 FORSYTH COUNTY
 STATION: 21+64.07 -L-

SHEET 1 OF 3

STATE OF NORTH CAROLINA
 DEPARTMENT OF TRANSPORTATION
 RALEIGH
 SUPERSTRUCTURE
 STRUCTURAL STEEL
 DETAILS
 (RIGHT LANE)



DRAWN BY: MIKE BRITT DATE: 11-26-03
 CHECKED BY: William J. Parker DATE: 05/26/04

REVISIONS						SHEET NO.	
NO.	BY:	DATE:	NO.	BY:	DATE:	S-55	
1			3			TOTAL SHEETS	
2			4			78	