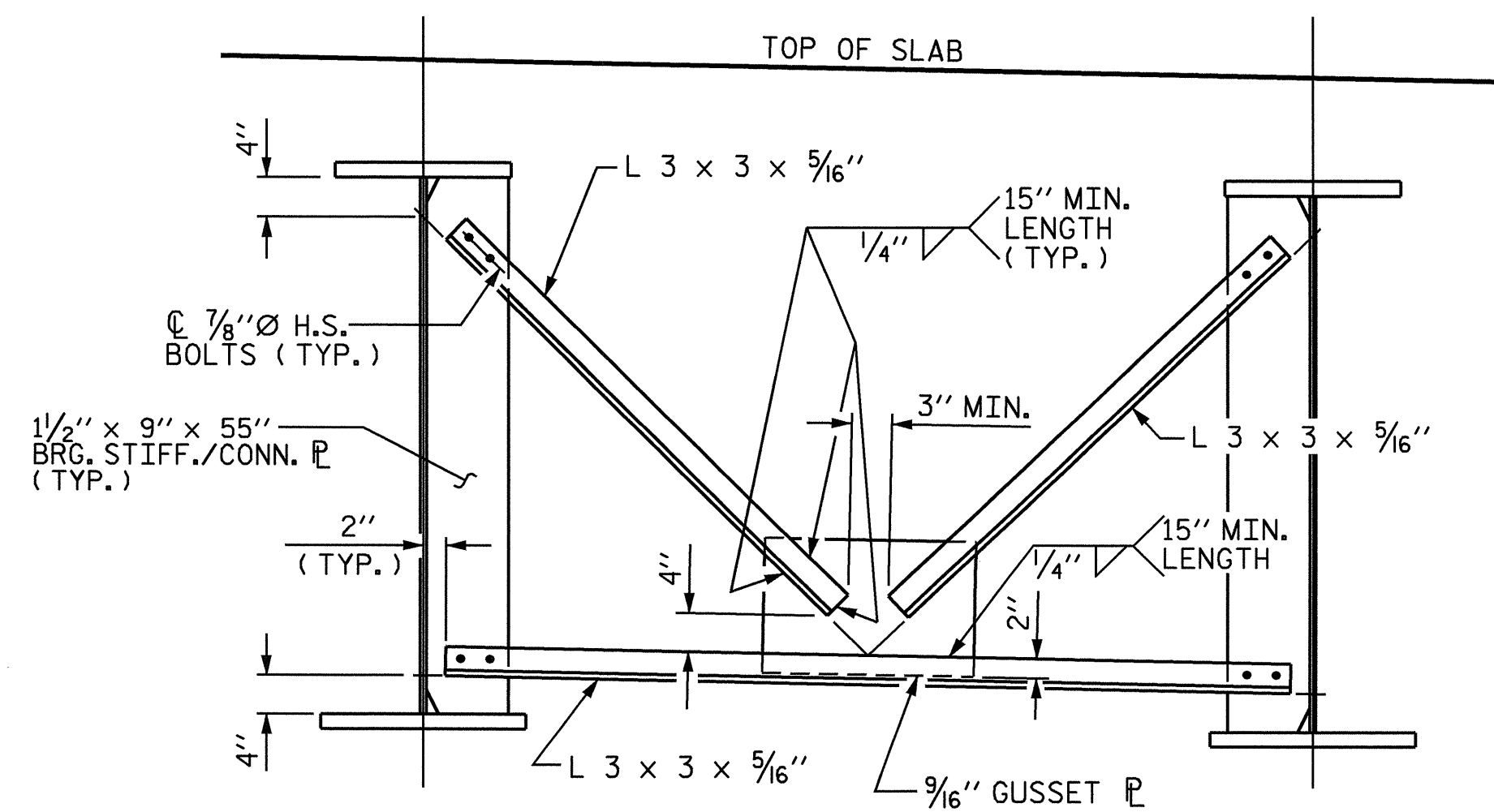
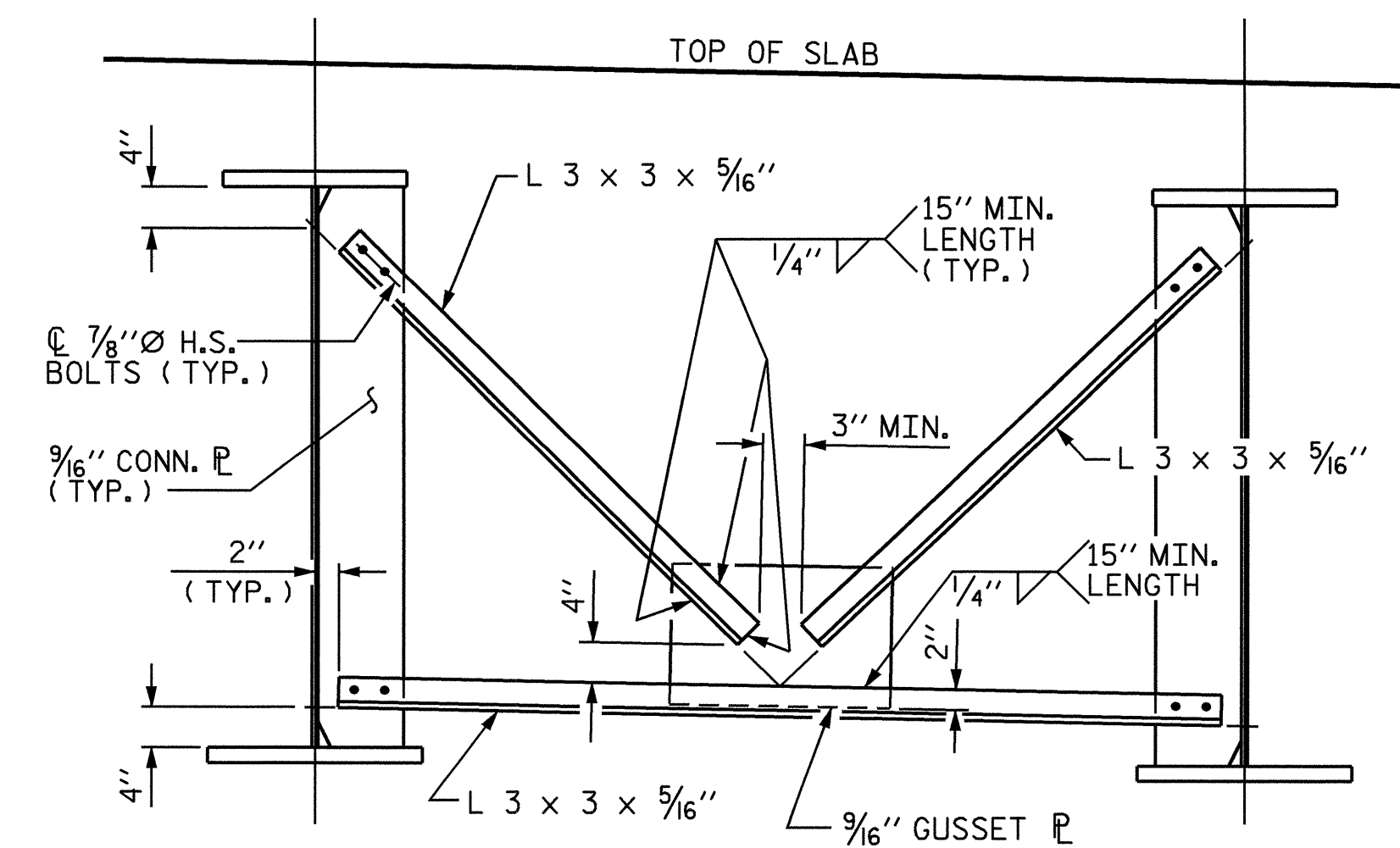


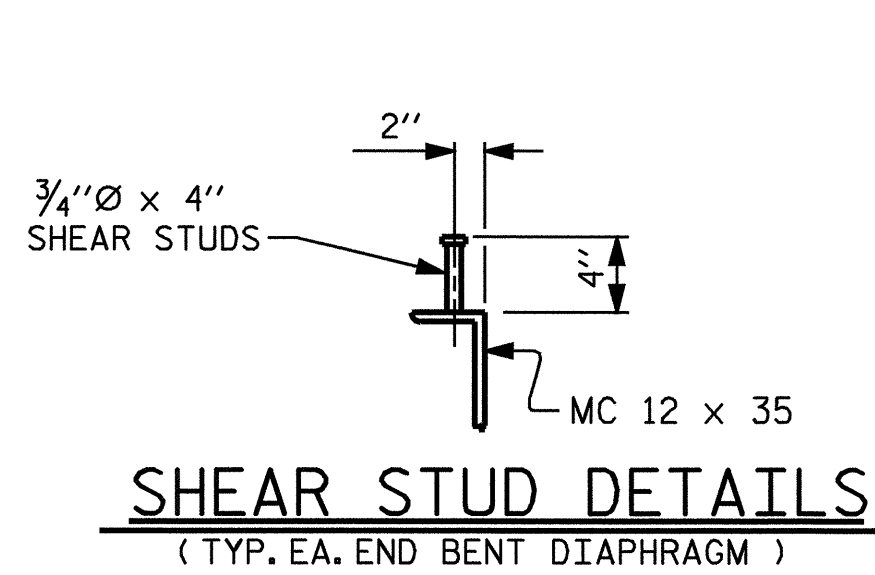
TYPICAL END BENT DIAPHRAGM



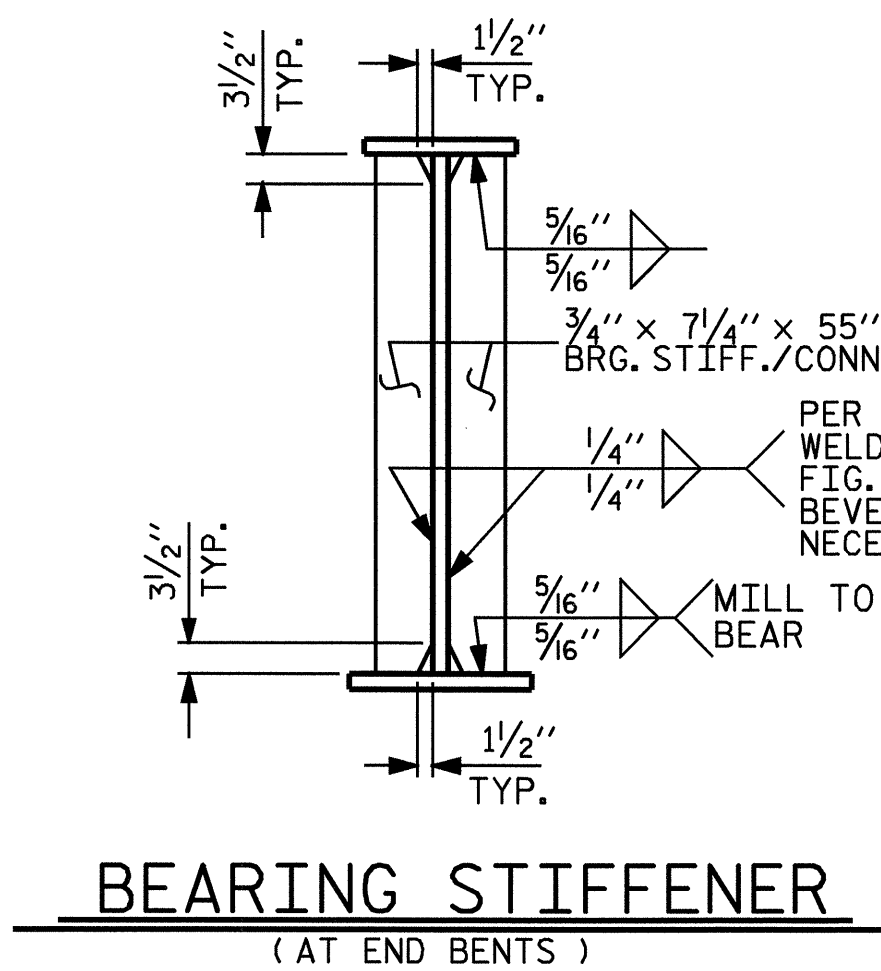
TYPICAL BENT DIAPHRAGM



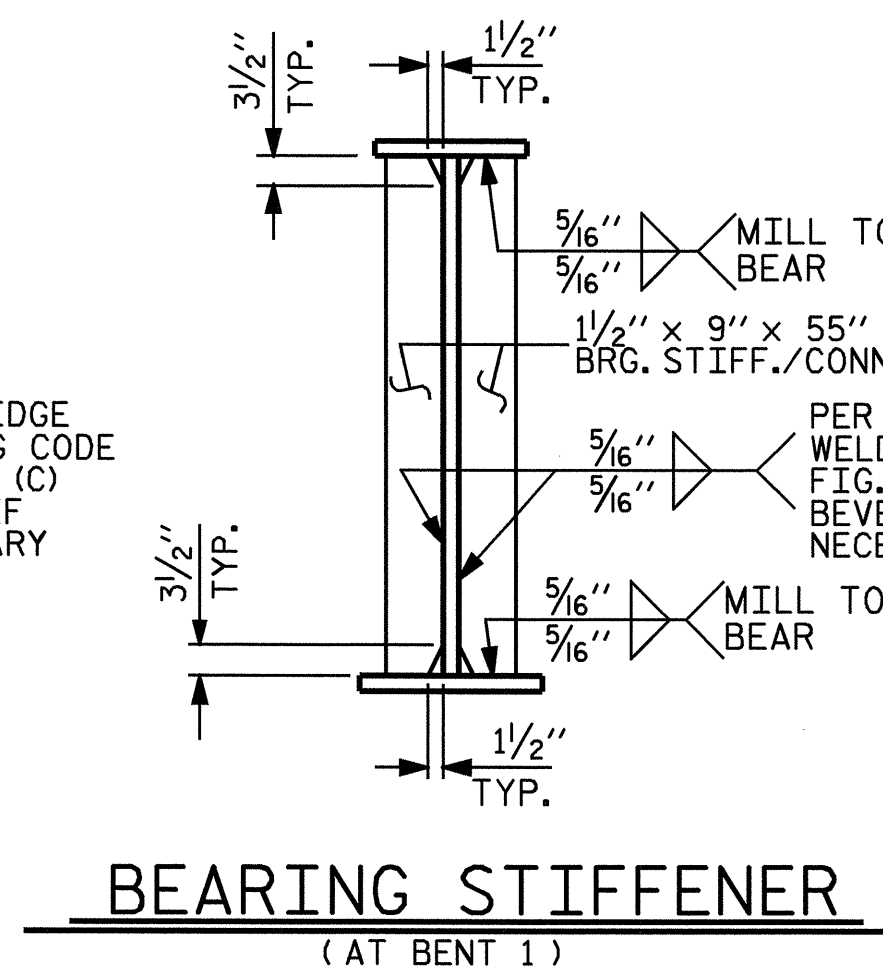
TYPICAL INTERMEDIATE DIAPHRAGM



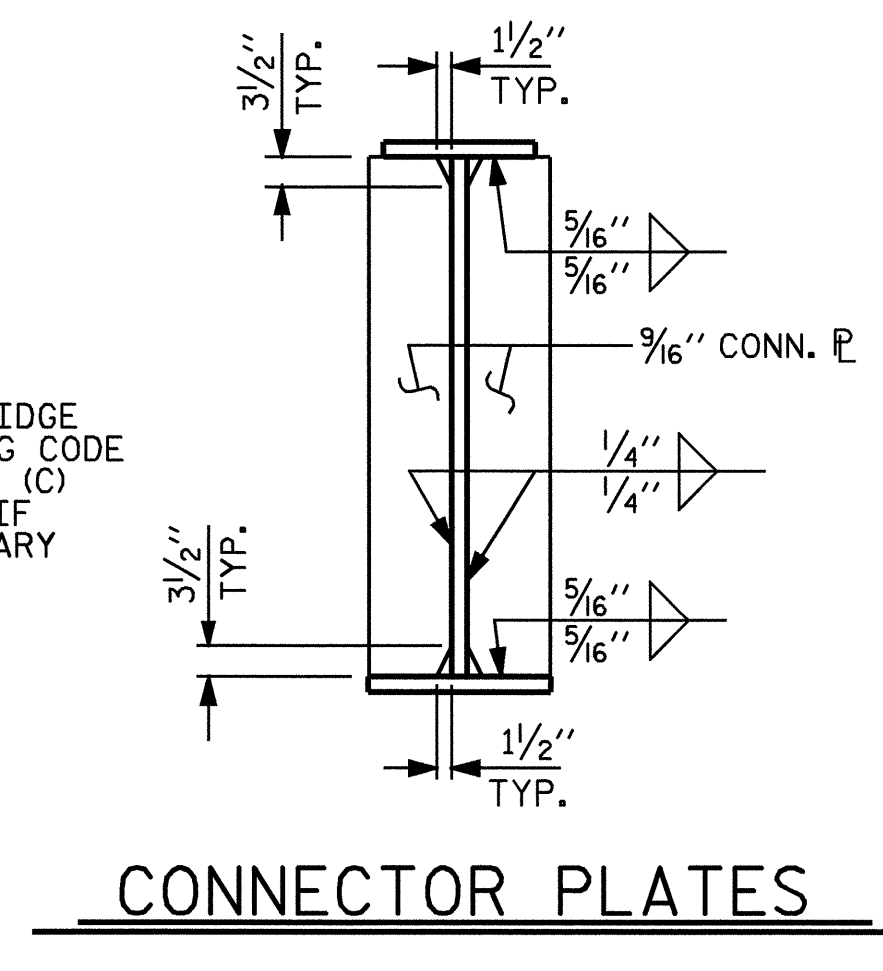
SHEAR STUD DETAILS
(TYP. EA. END BENT DIAPHRAGM)



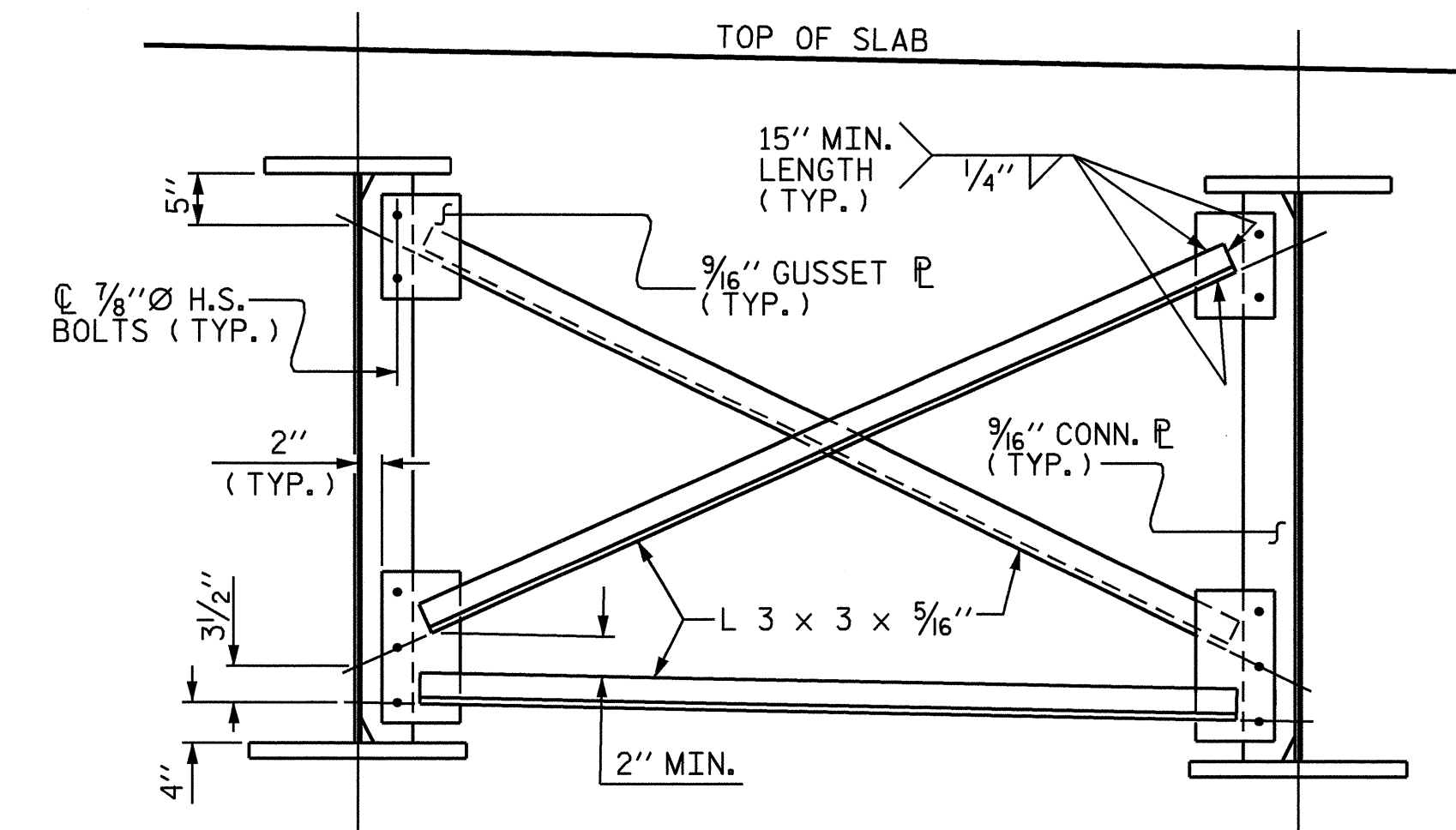
BEARING STIFFENER
(AT END BENTS)



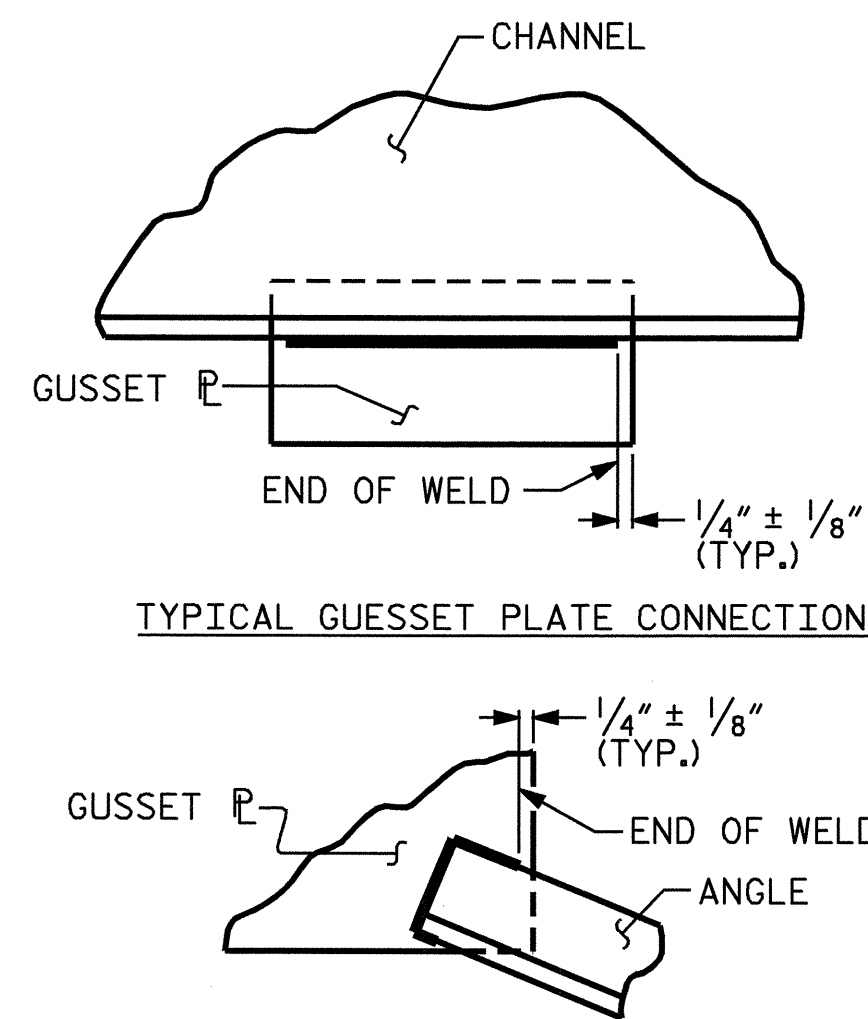
BEARING STIFFENER
(AT BENT 1)



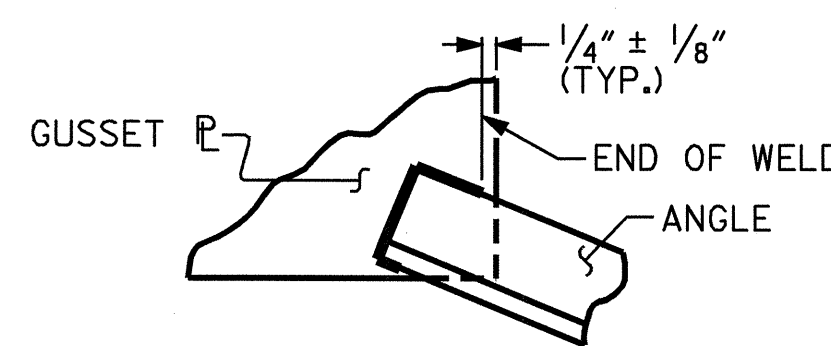
CONNECTOR PLATES



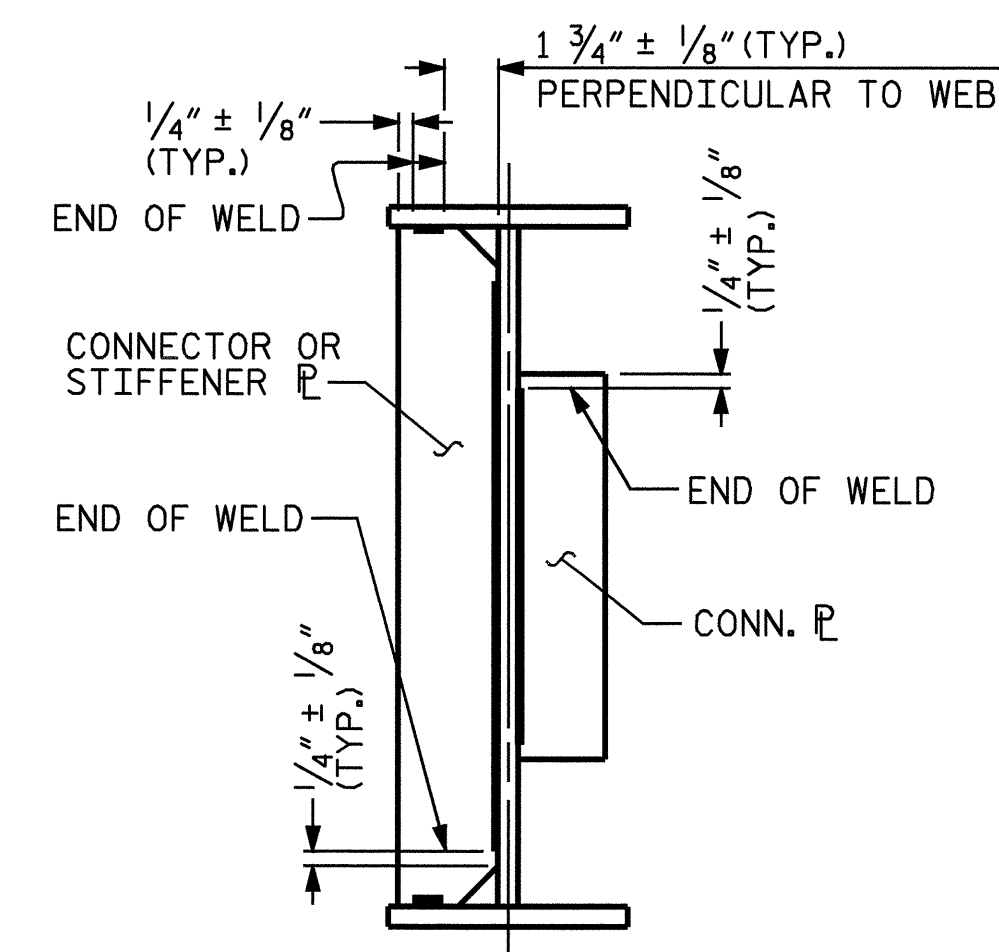
OPTIONAL INTERMEDIATE DIAPHRAGM



TYPICAL GUSSET PLATE CONNECTION



TYPICAL ANGLE TO GUSSET PLATE CONNECTION



TYPICAL STIFFENER OR
CONNECTOR PLATE CONNECTIONS

WELD TERMINATION DETAILS

DRAWN BY : MIKE BRITT DATE : 12-2-03
CHECKED BY : William J. Parker DATE : 05/26/04

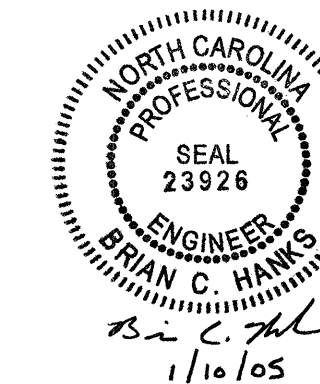
07-JAN-2005 15:55

PROJECT NO. U-3837
FORSYTH COUNTY
STATION: 21+64.07 -L-

SHEET 2 OF 3

STATE OF NORTH CAROLINA
DEPARTMENT OF TRANSPORTATION
RALEIGH

SUPERSTRUCTURE
STRUCTURAL STEEL
DETAILS
(RIGHT LANE)



REVISIONS						SHEET NO.	
NO.	BY:	DATE:	NO.	BY:	DATE:	S-56	
1			3			TOTAL SHEETS	
2			4			78	