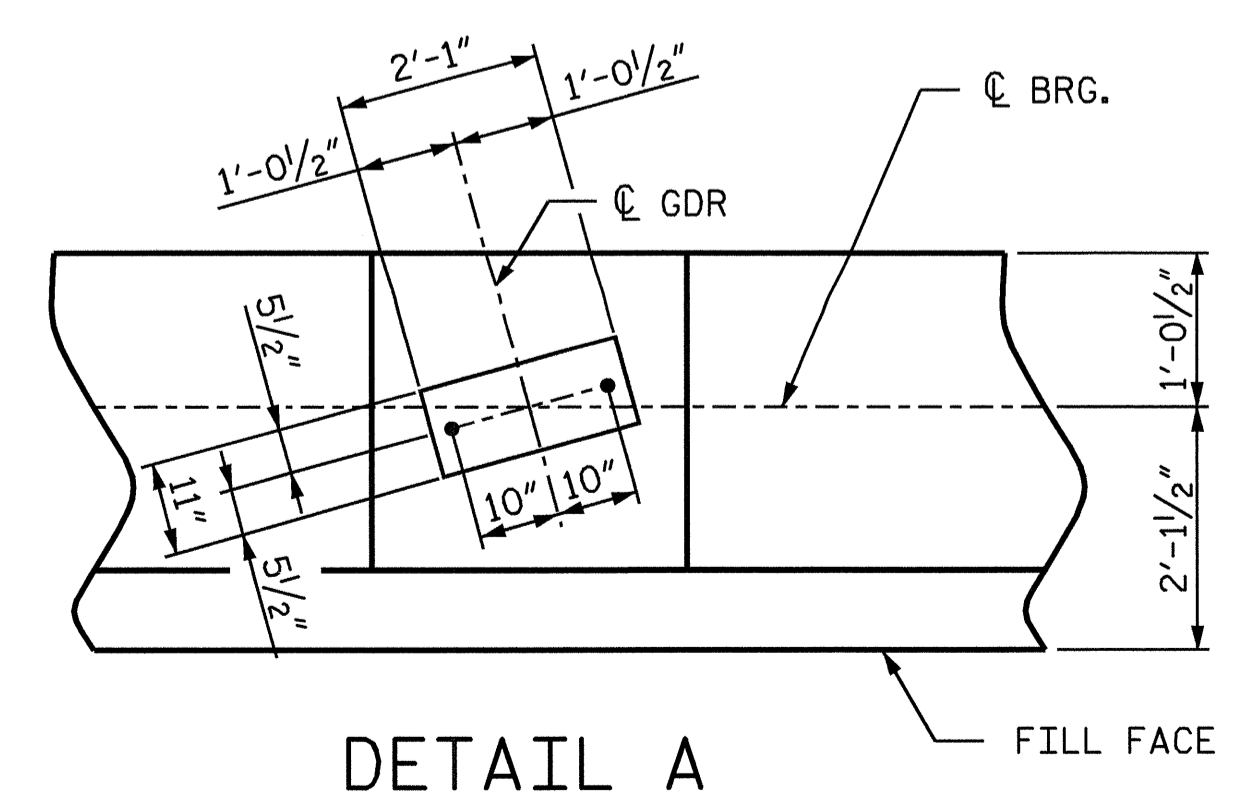
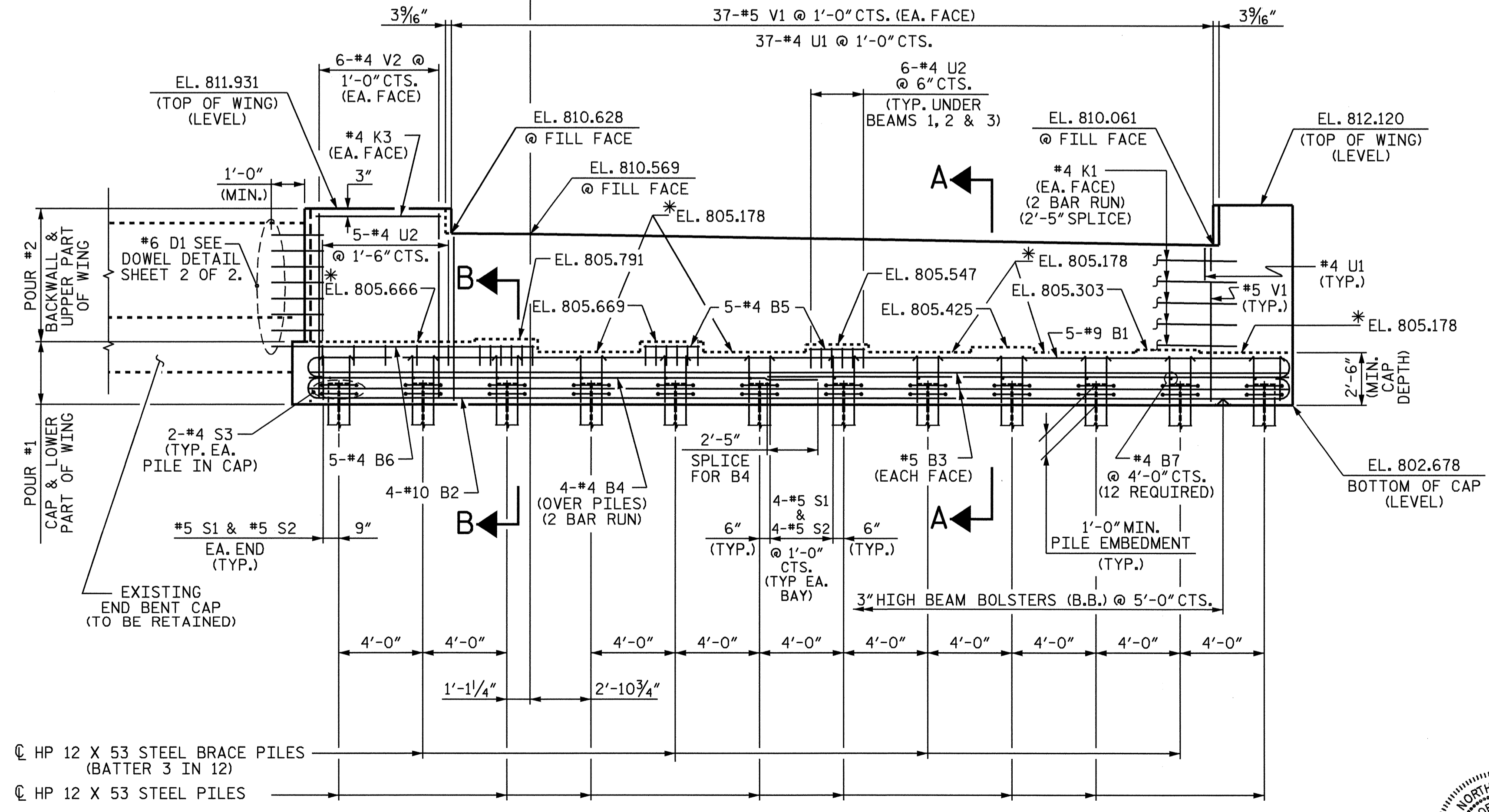
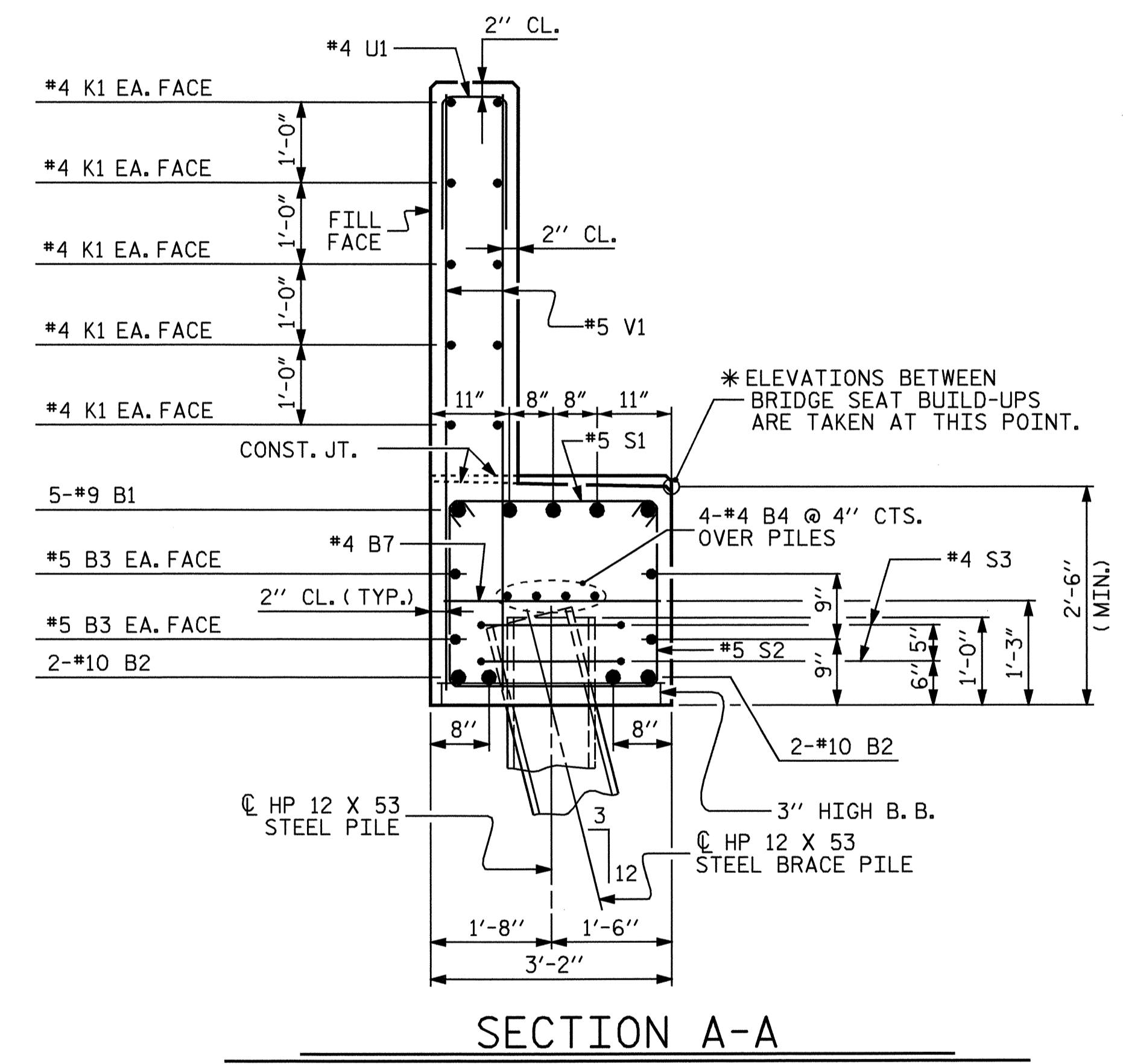
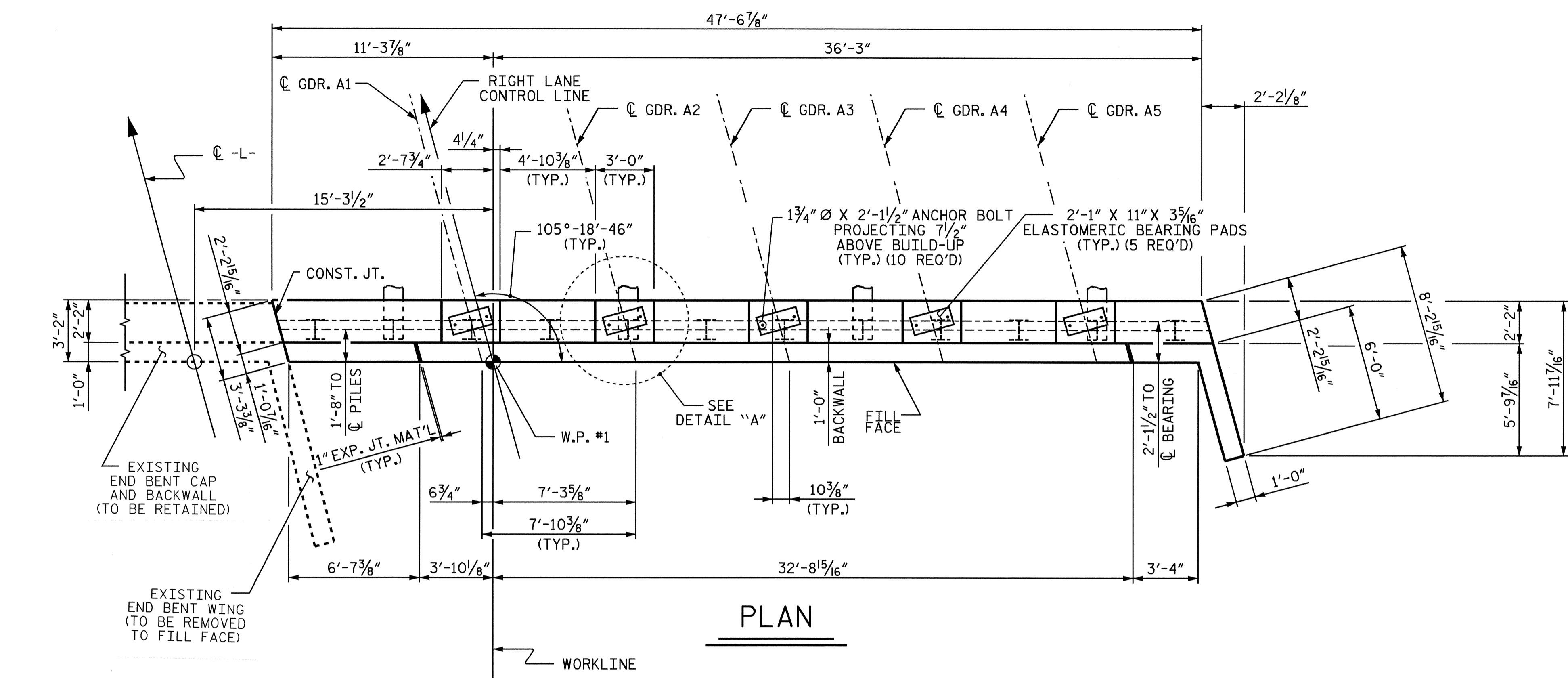


NOTES

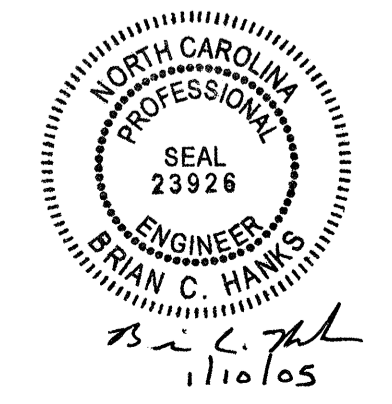
- STIRRUPS IN CAP MAY BE SHIFTED AS NECESSARY TO CLEAR ANCHOR BOLTS.
- FOR EPOXY PROTECTIVE COATING, SEE SPECIAL PROVISIONS.
- BACKWALL SHALL BE PLACED BEFORE APPLYING THE EPOXY PROTECTIVE COATING.
- THE TOP SURFACE AREAS OF THE END BENT CAPS SHALL BE CURED IN ACCORDANCE WITH THE STANDARD SPECIFICATIONS EXCEPT THAT THE MEMBRANE CURING COMPOUND METHOD SHALL NOT BE USED.
- * THE TOP SURFACE OF THE CAP EXCEPT THE BRIDGE SEAT BUILDUPS SHALL BE SLOPED TRANSVERSELY FROM THE FILL FACE TO THE BACK FACE AT THE RATE OF 2%.
- THE CONTRACTOR SHALL PROVIDE FOR INSTALLATION OF THE 4" DIAMETER DRAIN PIPE THROUGH THE WING WALL AS REQUIRED FOR REINFORCED BRIDGE APPROACH FILLS, SEE THE ROADWAY PLANS. REINFORCING STEEL IN THE WING WALL MAY BE SHIFTED AS NECESSARY TO CLEAR THE DRAIN PIPE.
- FOR PILE SPLICE DETAILS, SEE SHEET 2 OF 2.
- EPOXY COAT THE END BENT CAP AFTER ADJUSTMENTS ARE MADE TO THE BEARINGS AND ANCHOR BOLTS ARE GROUDED.
- THE D1 DOWELS SHALL BE INSTALLED USING AN ADHESIVE ANCHORING SYSTEM. FOR ADHESIVELY ANCHORED ANCHOR BOLTS OR DOWELS, SEE SPECIAL PROVISIONS.



ELEVATION

(WINGS NOT SHOWN FOR CLARITY)
 (FOR WING DETAILS, SEE SHEET 2 OF 2)

DRAWN BY: D. G. ELY DATE: 3/23/04
 CHECKED BY: W. F. PARKER DATE: 06/04



PROJECT NO. U-3837
 FORSYTH COUNTY
 STATION: 21+64.07 -L-
 SHEET 1 OF 2

STATE OF NORTH CAROLINA DEPARTMENT OF TRANSPORTATION RALEIGH						SUBSTRUCTURE END BENT 1		SHEET NO. S-67
REVISIONS						TOTAL SHEETS		
NO.	BY:	DATE:	NO.	BY:	DATE:	TOTAL SHEETS		
1			3			78		
2			4			78		