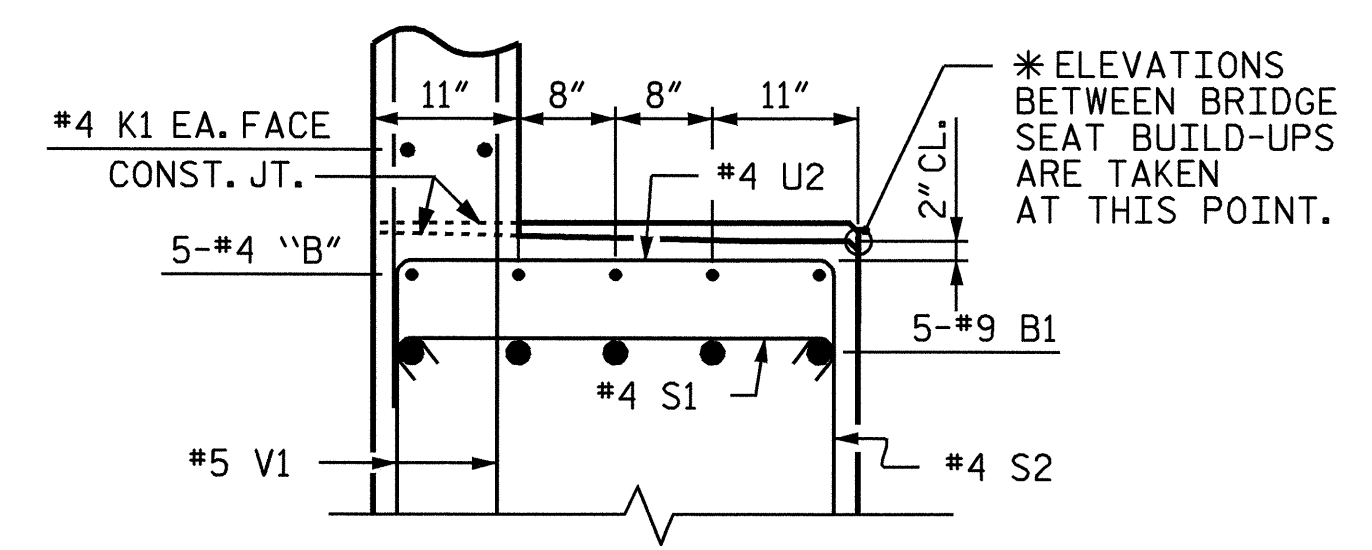
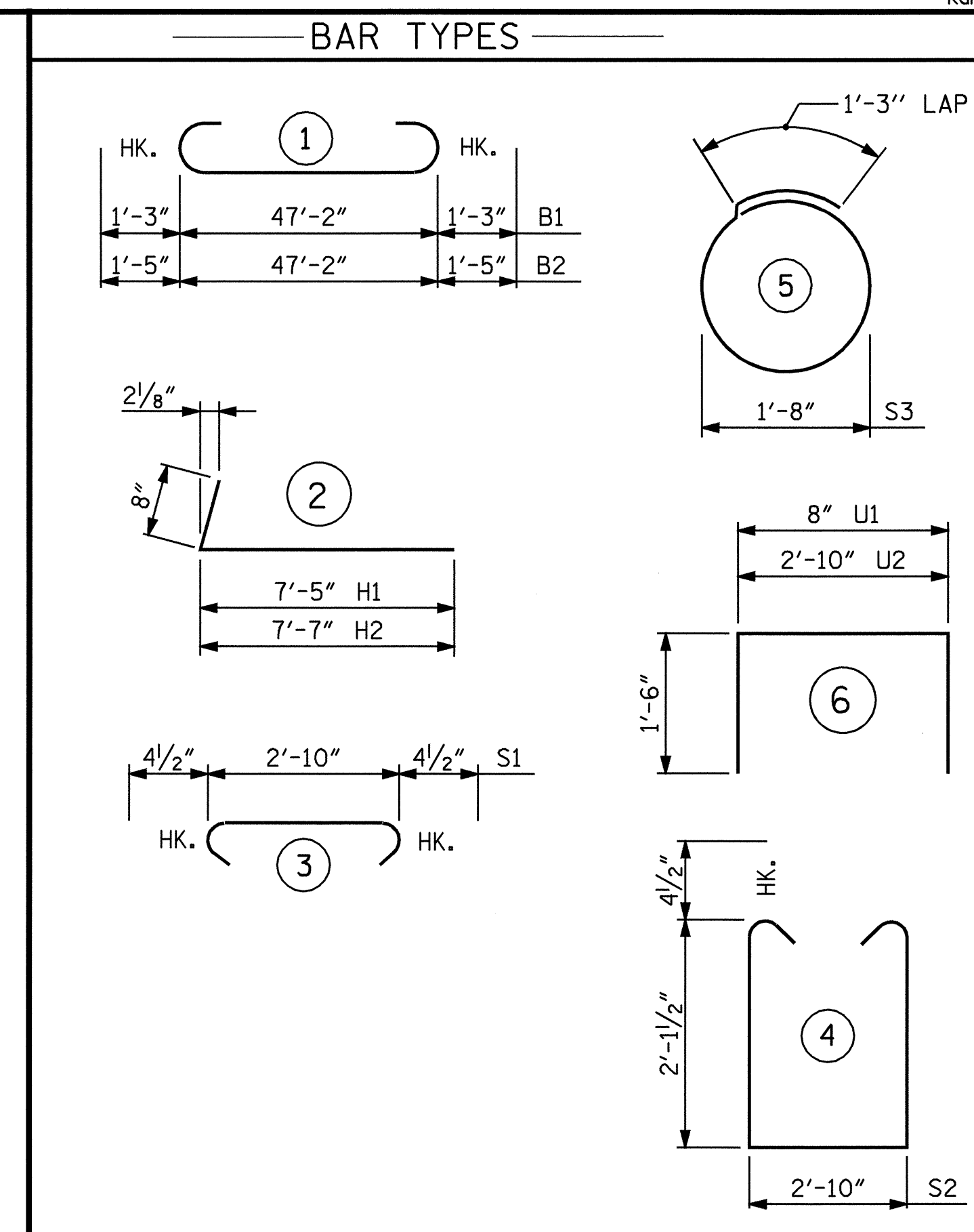


PLAN

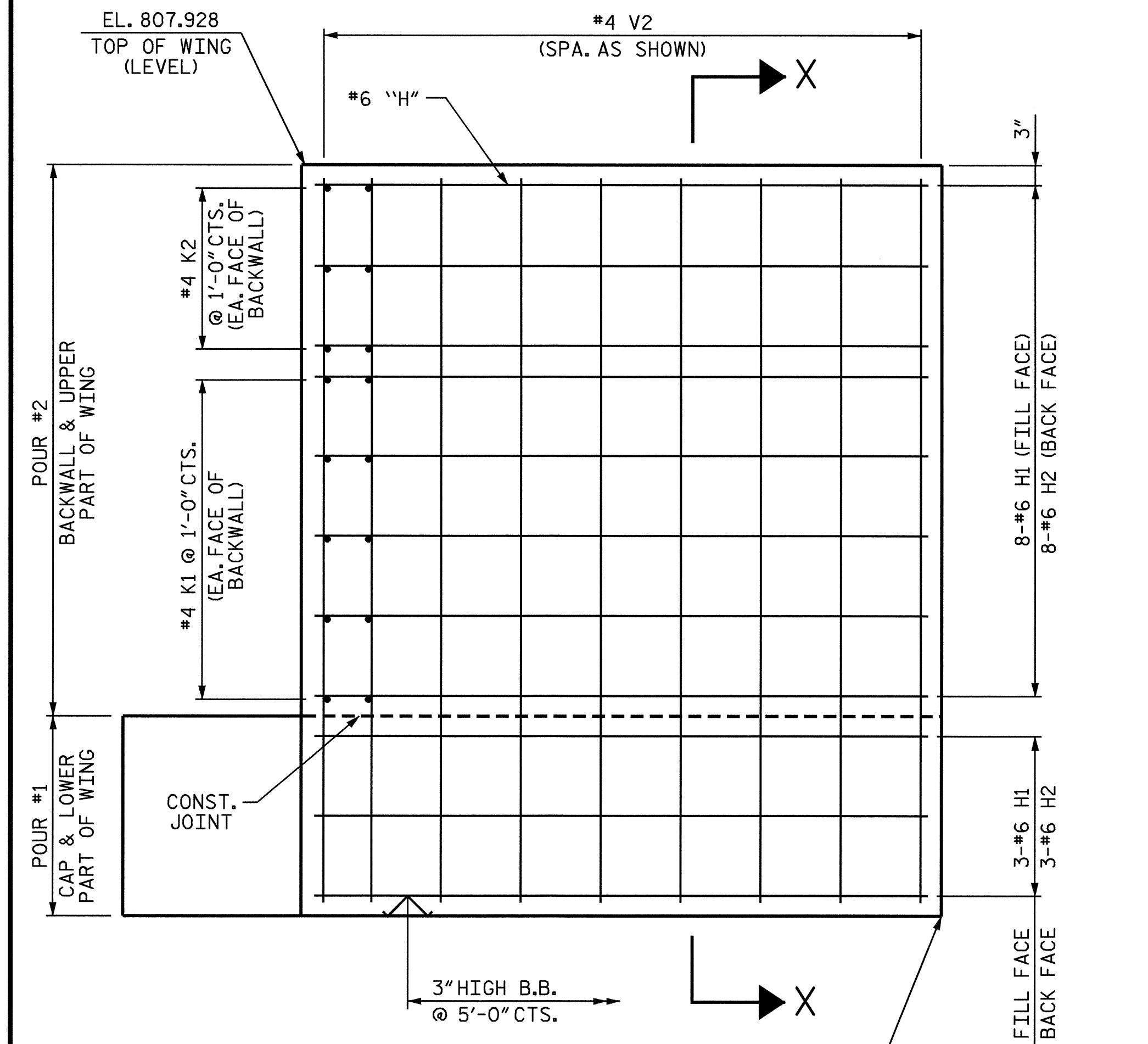


SECTION B-B

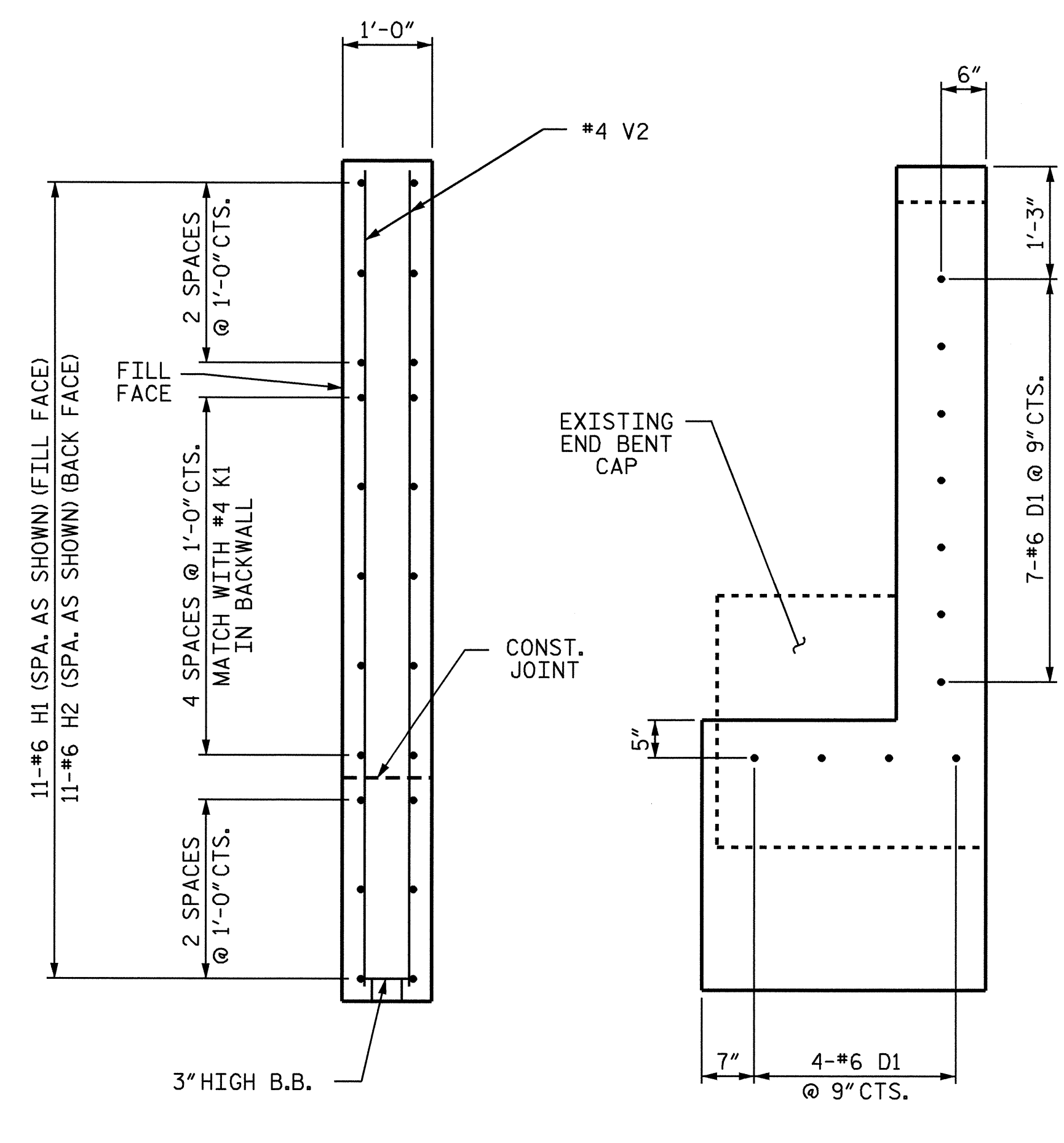


ALL BAR DIMENSIONS ARE OUT TO OUT.

BILL OF MATERIAL					
END BENT #2					
BAR	NO.	SIZE	TYPE	LENGTH	WEIGHT
B1	5	#9	1	49'-8"	844
B2	4	#10	1	50'-0"	861
B3	4	#5	STR	47'-3"	197
B4	8	#4	STR	24'-10"	133
B5	10	#4	STR	2'-8"	18
B6	5	#4	STR	10'-9"	36
B7	12	#4	STR	2'-10"	23
D1	11	#6	STR	2'-6"	41
H1	11	#6	2	8'-1"	134
H2	11	#6	2	8'-3"	136
K1	20	#4	STR	24'-10"	332
K2	6	#4	STR	4'-0"	16
K3	2	#4	STR	6'-4"	8
S1	44	#4	3	3'-7"	105
S2	44	#4	4	7'-10"	230
S3	18	#4	5	6'-6"	78
U1	37	#4	6	3'-8"	91
U2	23	#4	6	5'-10"	90
V1	74	#5	STR	7'-0"	540
V2	38	#4	STR	9'-0"	228
REINFORCING STEEL					= 4141 LBS
CLASS A CONCRETE					
POUR #1 (CAP & LOWER PART OF WING)					15.8 CU. YDS.
POUR #2 (BACKWALL & UPPER PART OF WING)					11.1 CU. YDS.
TOTAL					26.9 CU. YDS.
HP 12 x 53 STEEL PILES NO. 9					405 FEET

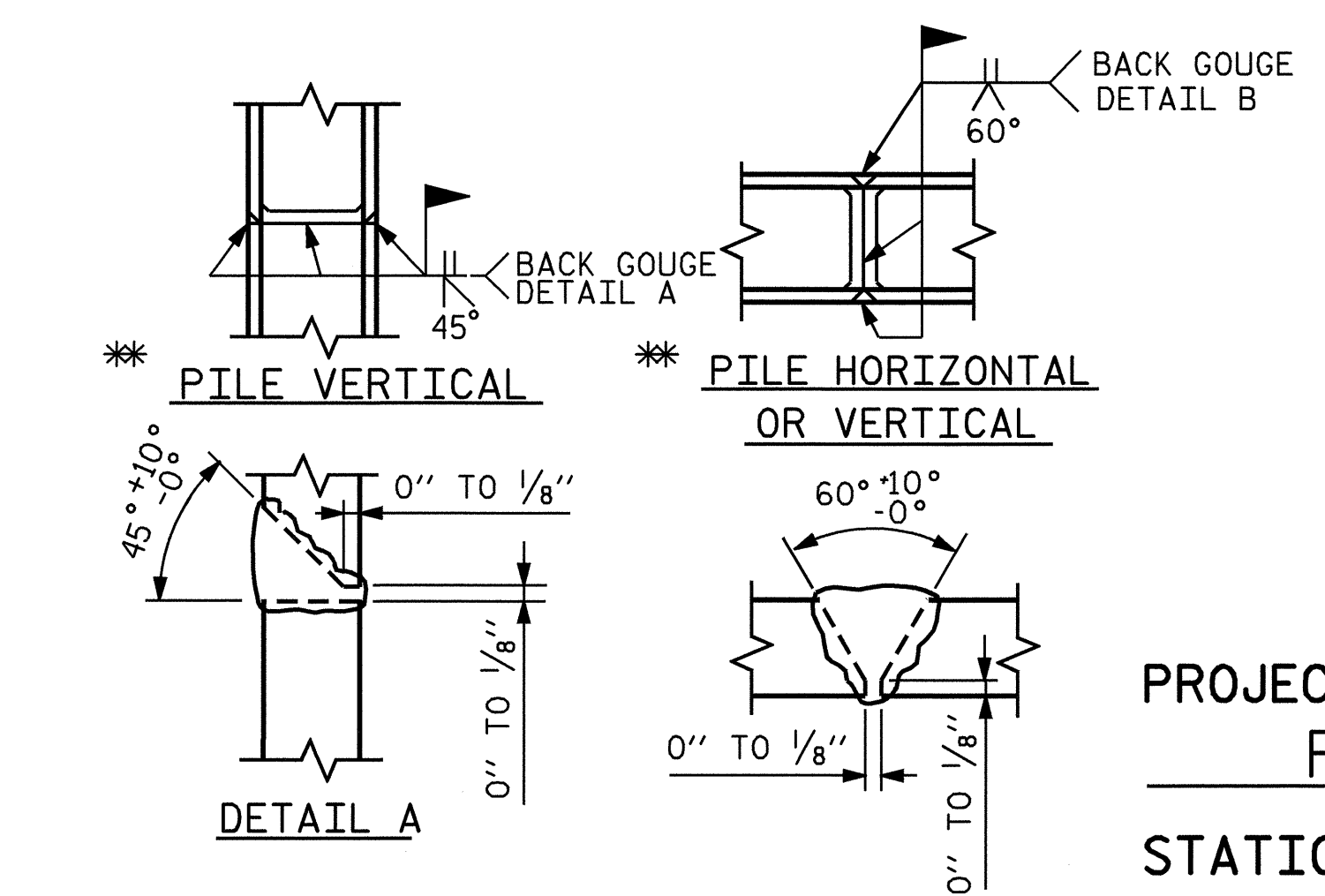


ELEVATION



SECTION X-X

DOWEL DETAIL

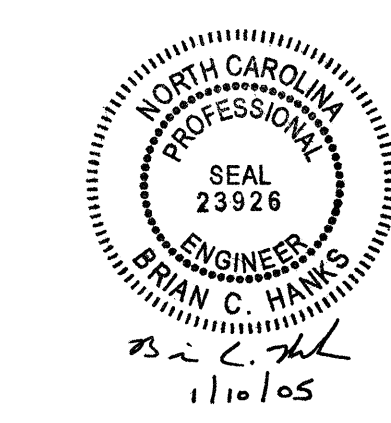


PILE SPLICE DETAILS

PROJECT NO. U-3837
FORSYTH COUNTY
 STATION: 21+64.07 -L-

SHEET 2 OF 2

REVISIONS						SHEET NO.
NO.	BY:	DATE:	NO.	BY:	DATE:	S-72
1			3			TOTAL SHEETS 78
2			4			



DRAWN BY: D. G. ELY DATE: 4/06/04
 CHECKED BY: W. F. PARKER DATE: 06/04