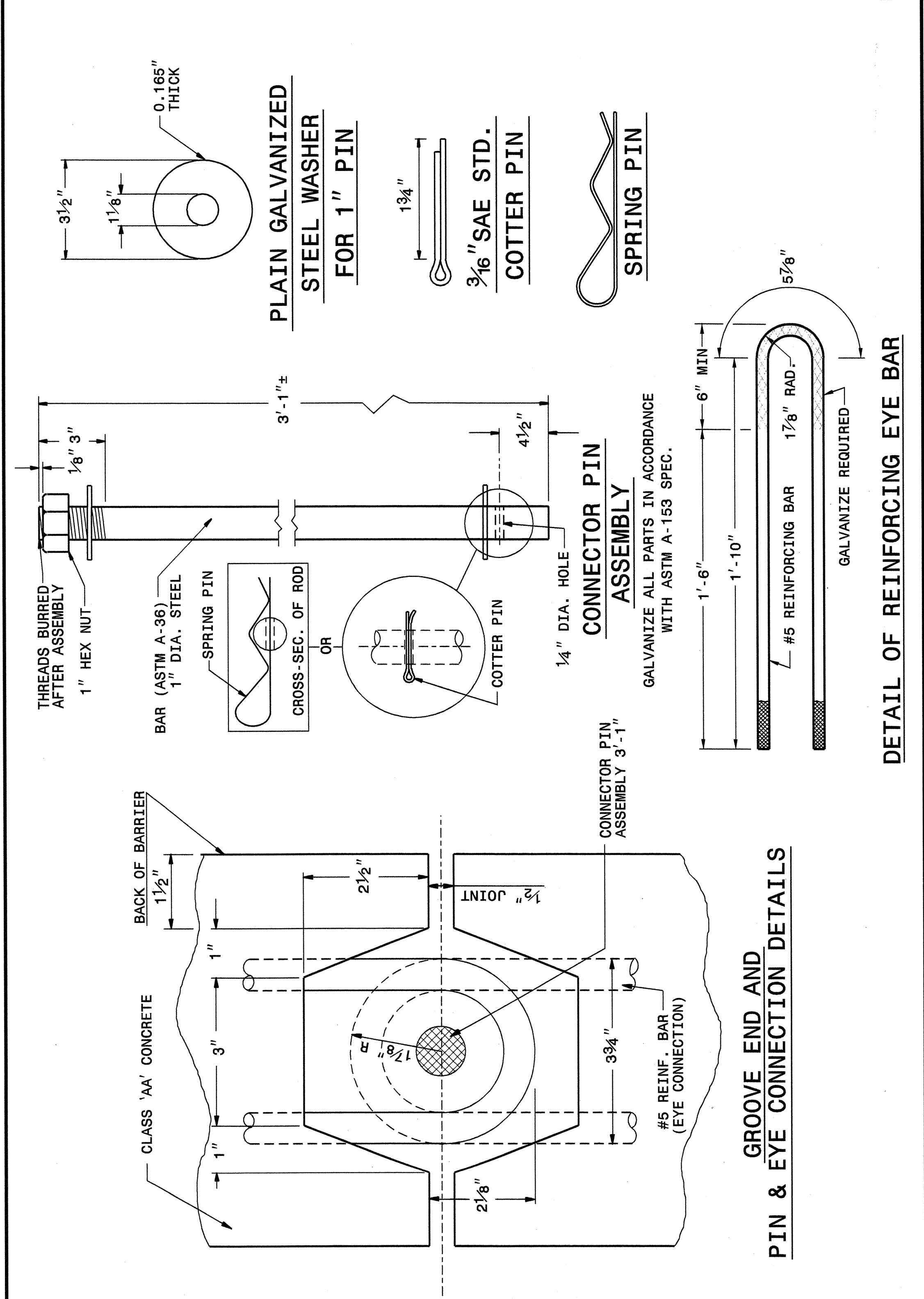


STATE OF NORTH CAROLINA
DEPT. OF TRANSPORTATION
DIVISION OF HIGHWAYS
RALEIGH, N.C.

ENGLISH DETAIL DRAWING FOR
PRECAST REINFORCED CONCRETE BARRIER
41" SINGLE FACED

SHEET 7 OF 8
857D01



STATE OF NORTH CAROLINA
DEPT. OF TRANSPORTATION
DIVISION OF HIGHWAYS
RALEIGH, N.C.

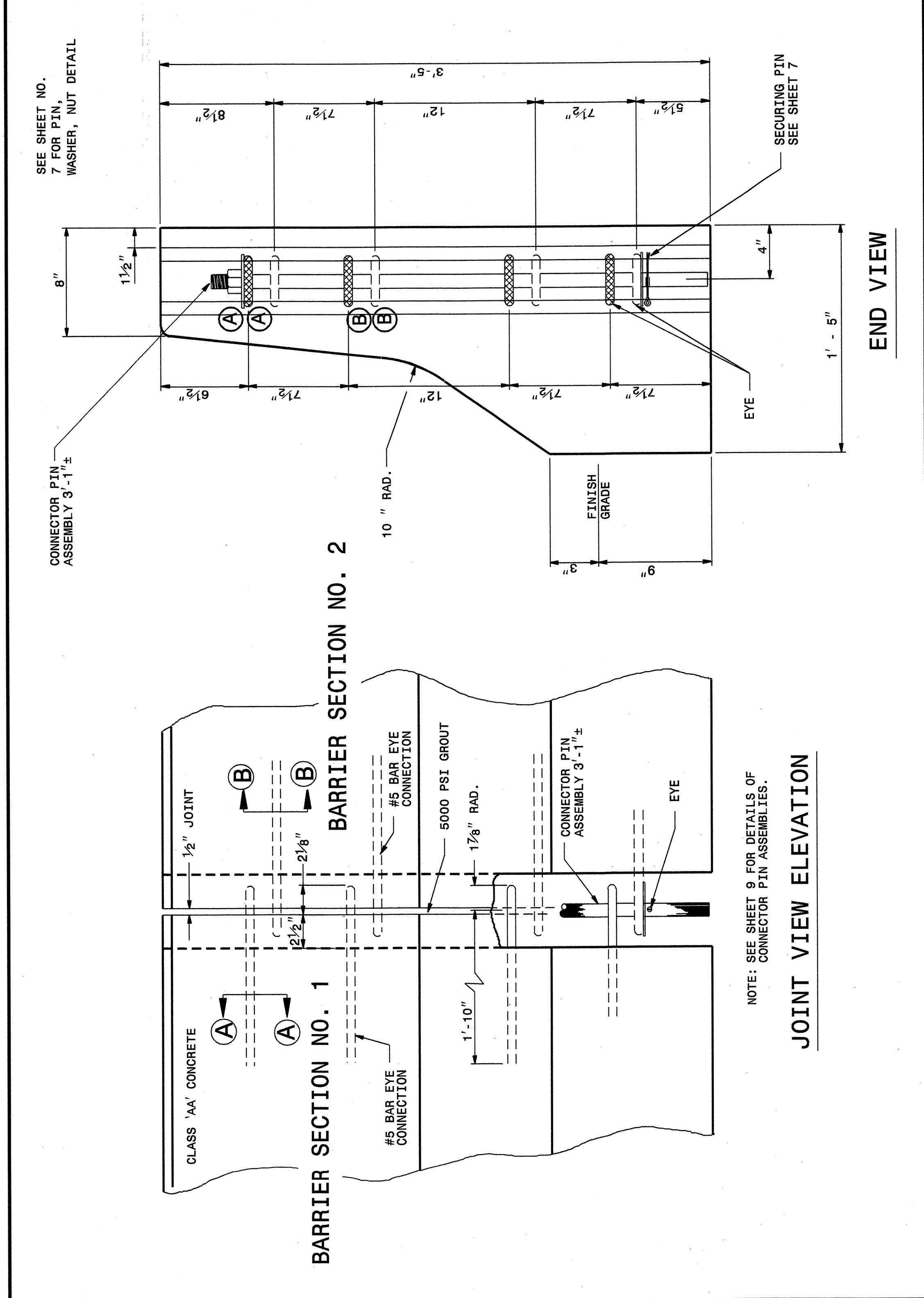
ENGLISH DETAIL DRAWING FOR
PRECAST REINFORCED CONCRETE BARRIER
41" SINGLE FACED

SHEET 7 OF 8
857D01

STATE OF NORTH CAROLINA
DEPT. OF TRANSPORTATION
DIVISION OF HIGHWAYS
RALEIGH, N.C.

ENGLISH DETAIL DRAWING FOR
PRECAST REINFORCED CONCRETE BARRIER
41" SINGLE FACED

SHEET 8 OF 8
857D01



STATE OF NORTH CAROLINA
DEPT. OF TRANSPORTATION
DIVISION OF HIGHWAYS
RALEIGH, N.C.

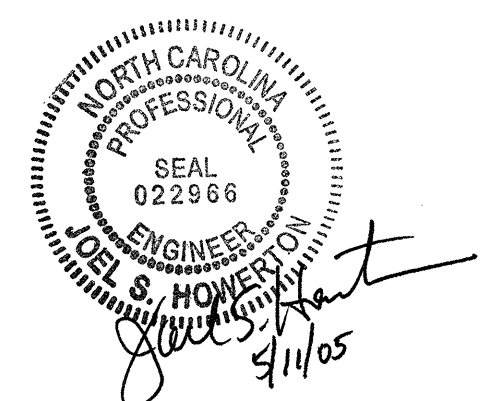
ENGLISH DETAIL DRAWING FOR
PRECAST REINFORCED CONCRETE BARRIER
41" SINGLE FACED

SHEET 8 OF 8
857D01

DESIGN SERVICES UNIT
STANDARDS AND SPECIAL DESIGN
Office 919-250-4128 FAX 919-250-4119

SEE PLATE FOR TITLE

ORIGINAL BY: 2002 STD. 857.01 DATE:
MODIFIED BY: E.E. WARD DATE: 6-12-03
CHECKED BY: *E.E. Ward* DATE: 2-12-04
FILE SPEC.: /usr/stds/02todetail/eng1.sh/85701/857d01.dgn



I:\APPC-2004_08-27\stds\enstds\02\stds to Special Details\english\85701\857d01.dgn
 4/14/05
 JSH