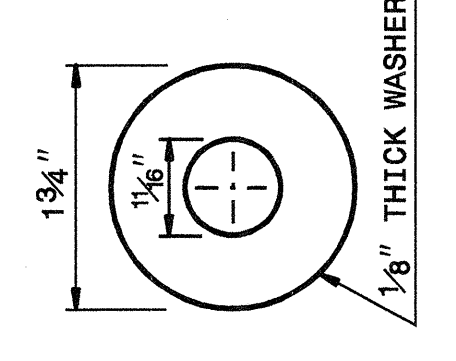
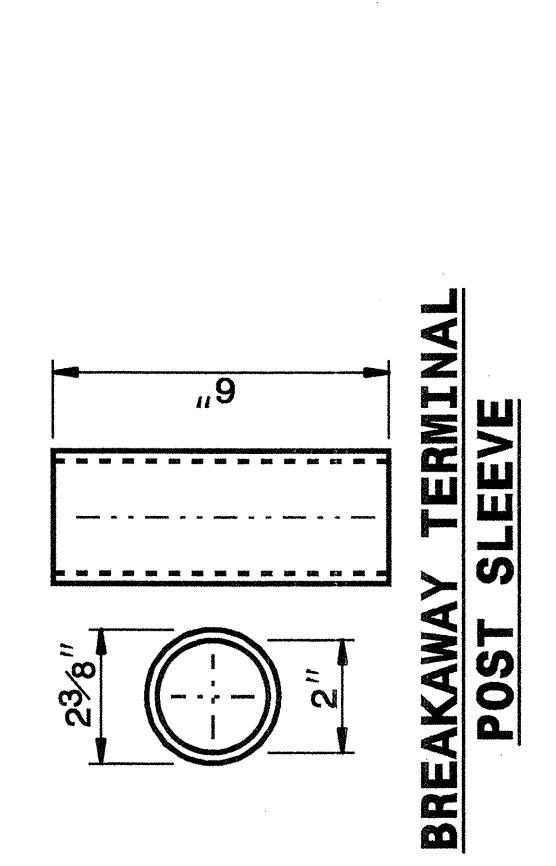


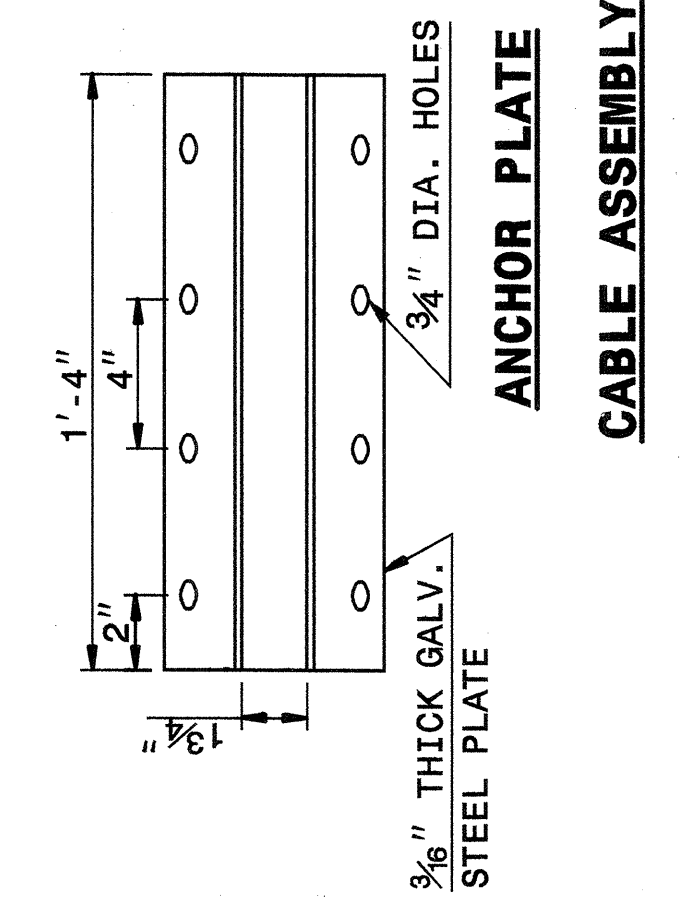
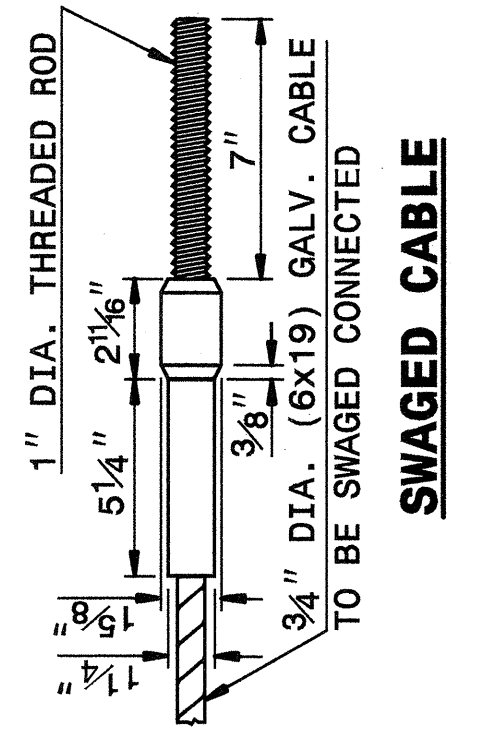
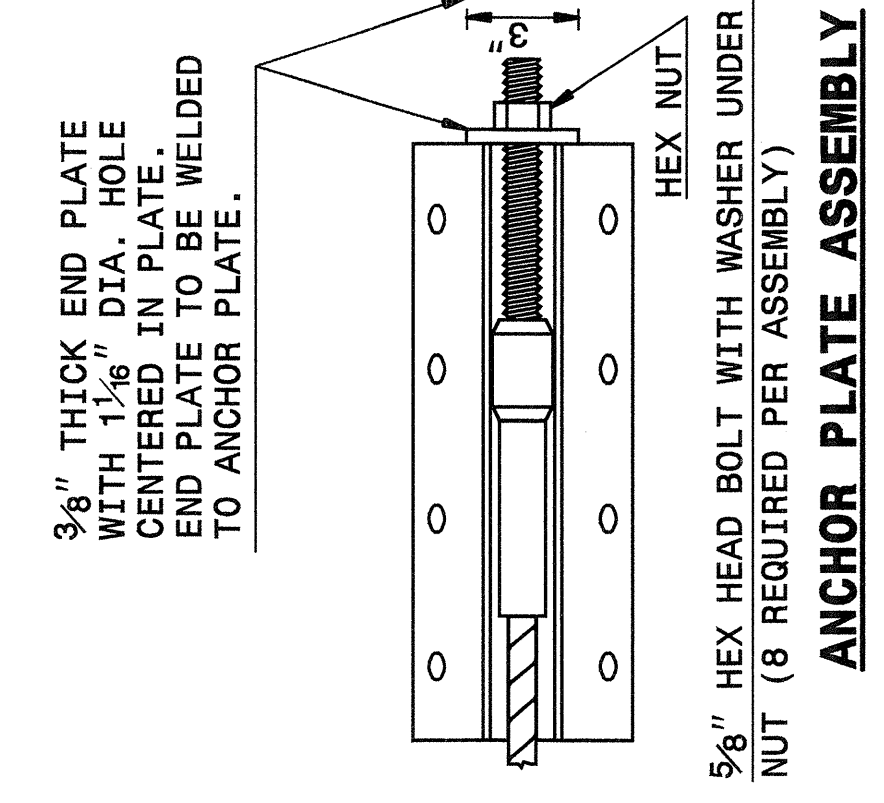
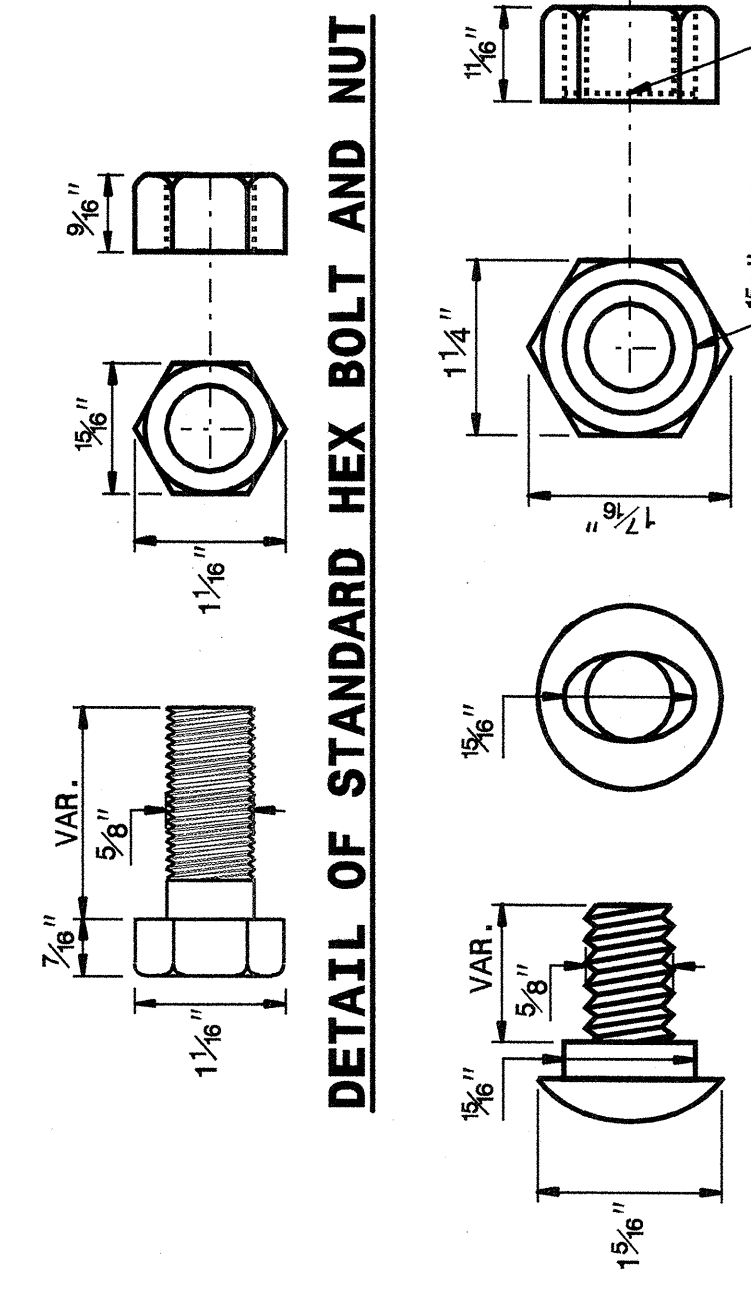
STATE OF NORTH CAROLINA  
DEPT. OF TRANSPORTATION  
DIVISION OF HIGHWAYS  
RALEIGH, N.C.

ENGLISH DETAIL DRAWING FOR  
**GUARDRAIL INSTALLATION**

SHEET 5 OF 7  
**862D02**



**DETAIL OF STANDARD WASHER**  
STANDARD WASHER: TYPICAL USE UNDER NUT WITH WOOD POST



**SYSTEM PARTS**

STATE OF NORTH CAROLINA  
DEPT. OF TRANSPORTATION  
DIVISION OF HIGHWAYS  
RALEIGH, N.C.

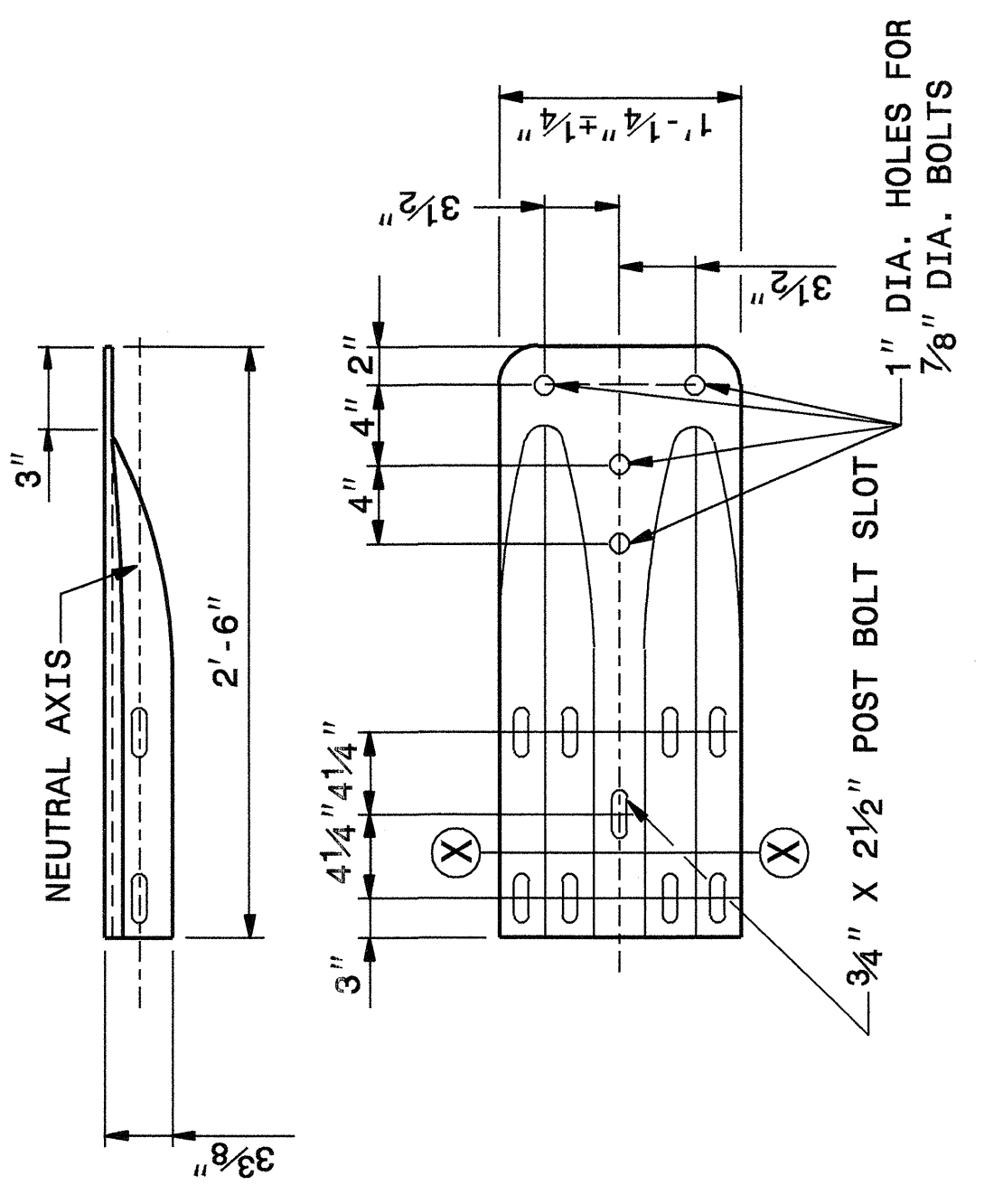
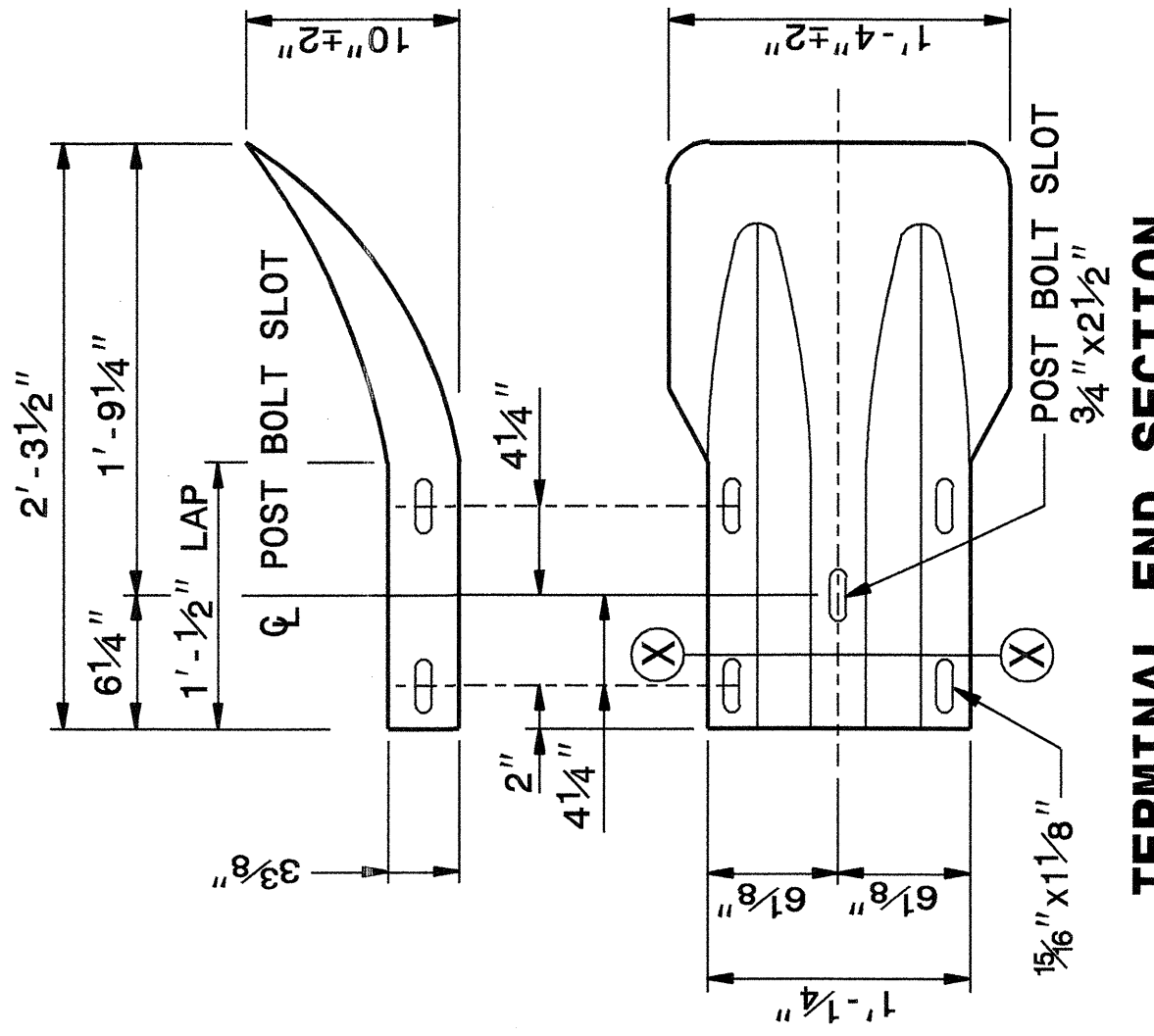
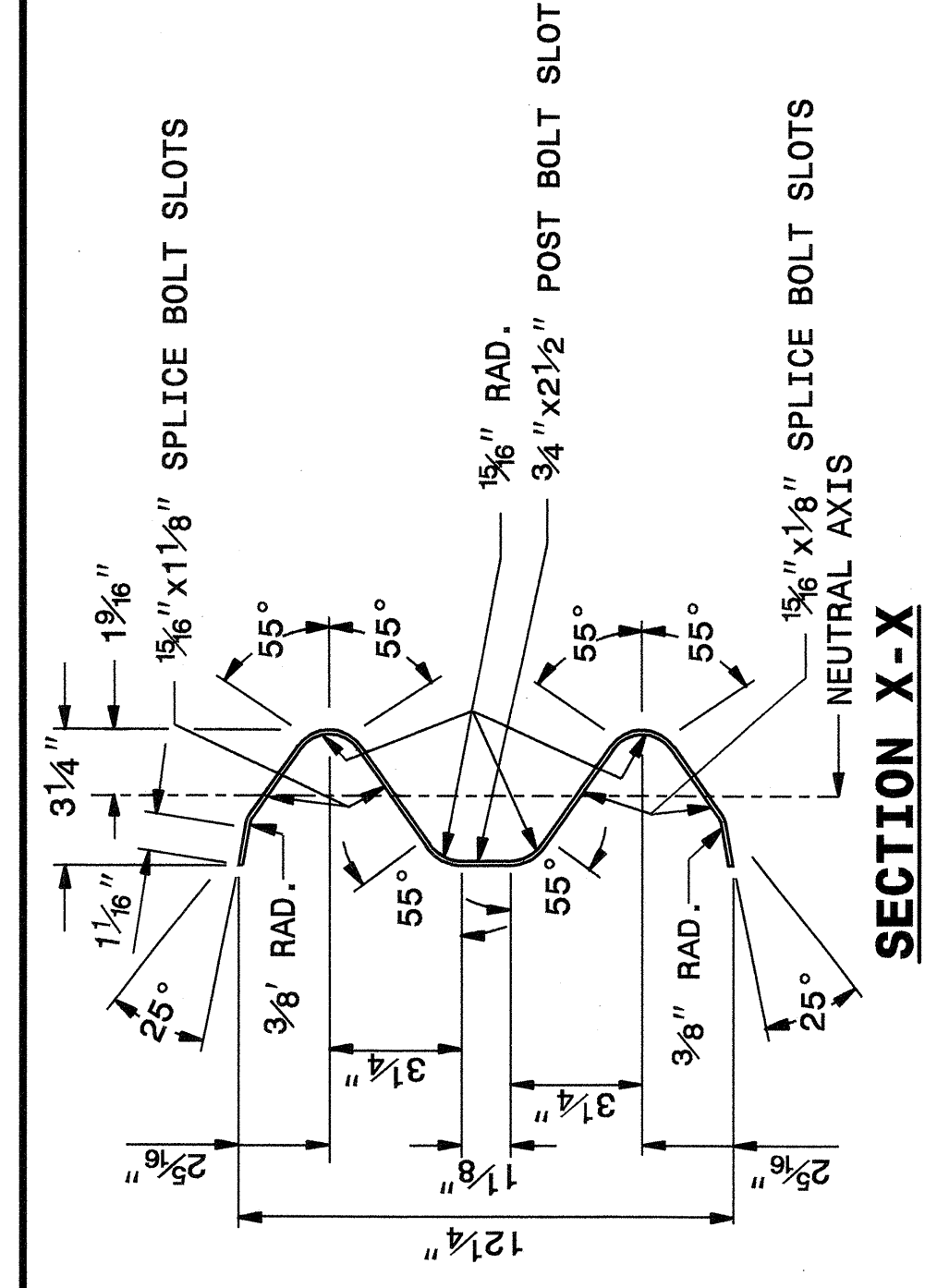
ENGLISH DETAIL DRAWING FOR  
**GUARDRAIL INSTALLATION**

SHEET 5 OF 7  
**862D02**

STATE OF NORTH CAROLINA  
DEPT. OF TRANSPORTATION  
DIVISION OF HIGHWAYS  
RALEIGH, N.C.

ENGLISH DETAIL DRAWING FOR  
**GUARDRAIL INSTALLATION**

SHEET 6 OF 7  
**862D02**



**SYSTEM PARTS - GENERAL USE**

**PROJECT SERVICES UNIT  
STANDARDS AND SPECIAL DESIGN**  
Office 919-250-4128 FAX 919-250-4119

**SEE PLATE FOR TITLE**

ORIGINAL BY: 2002 STD.862.02 DATE:   
 MODIFIED BY: E.E. WARD DATE: 02-09-03  
 CHECKED BY: *Joe S. Howard* DATE: 10/21/04  
 FILE SPEC.: /usr/stds/02todetail/english/86202/862d02.dgn

