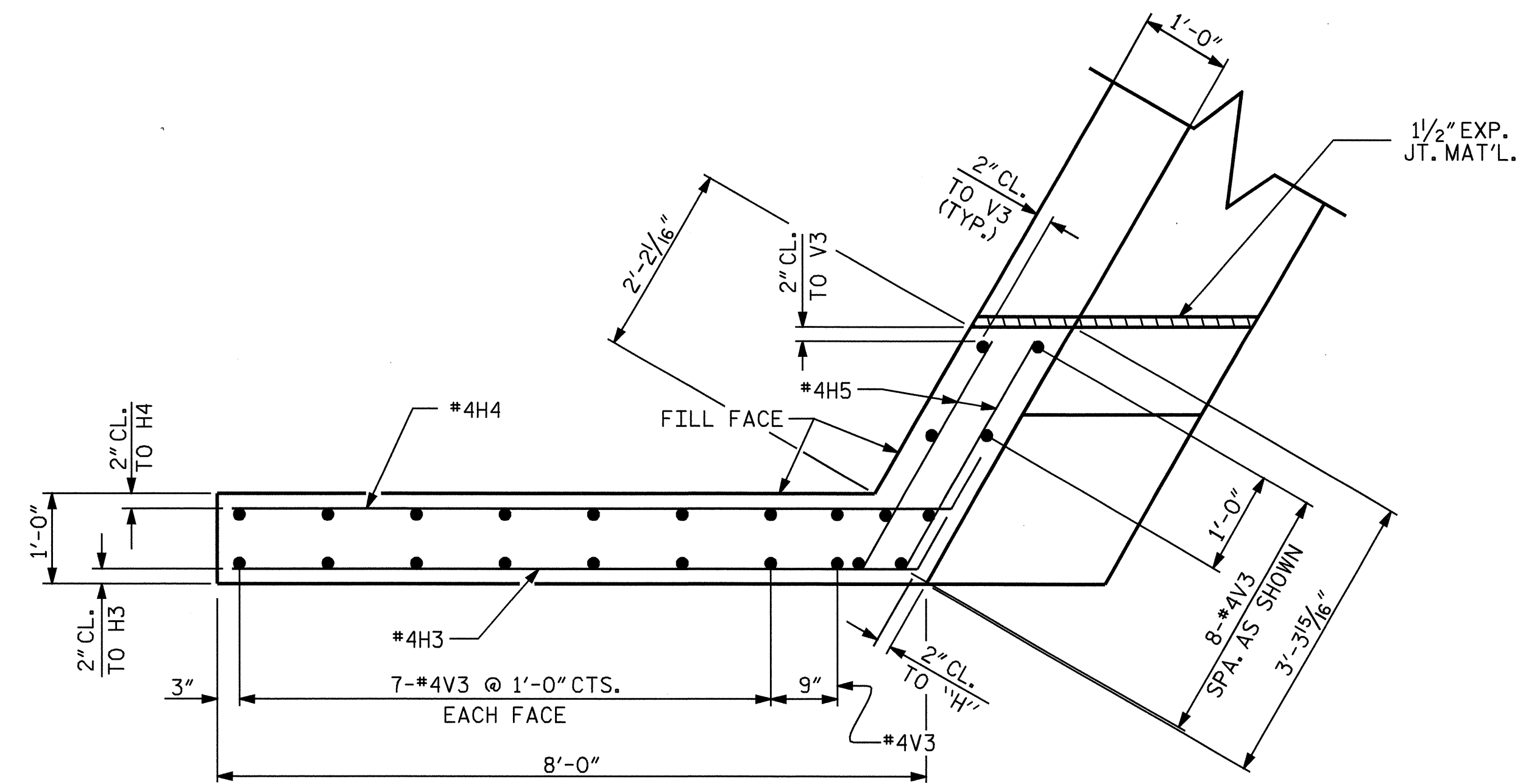
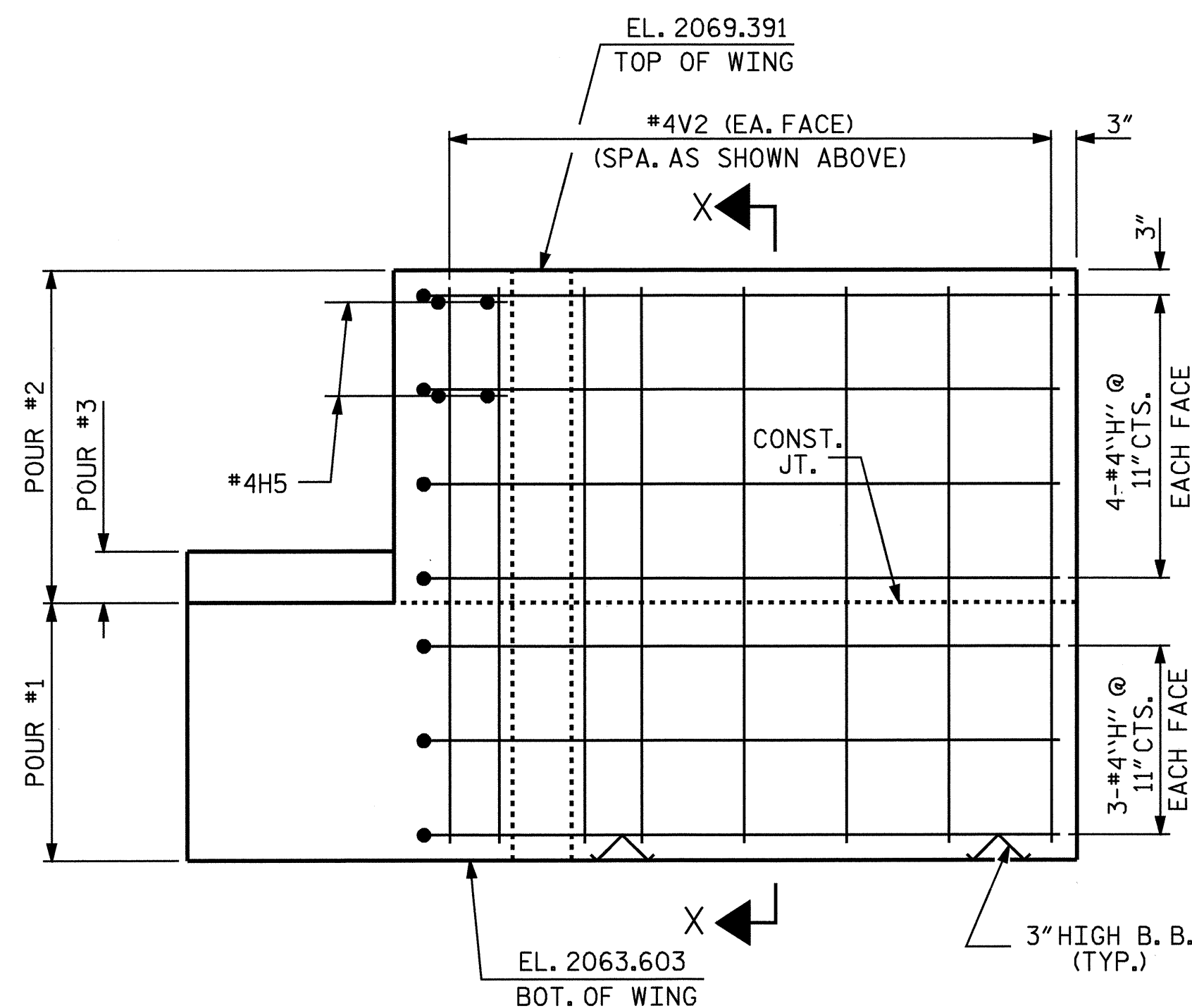


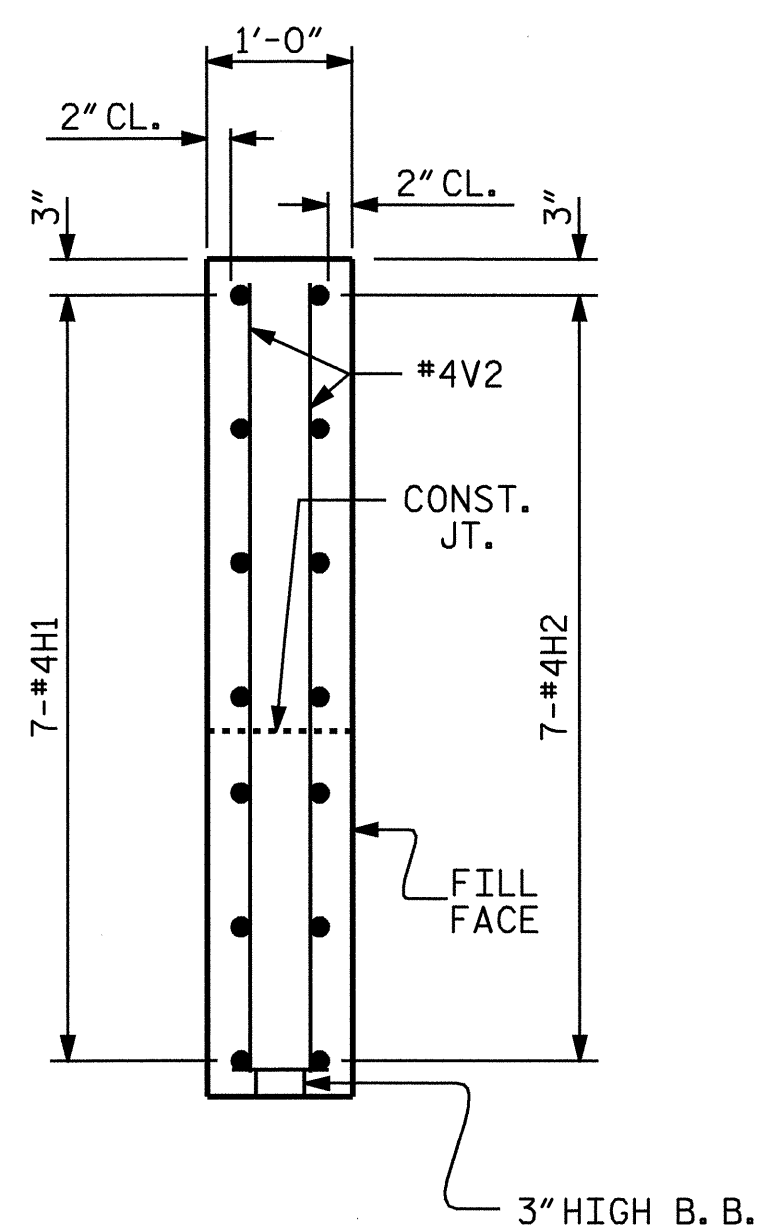
PLAN OF WING W1



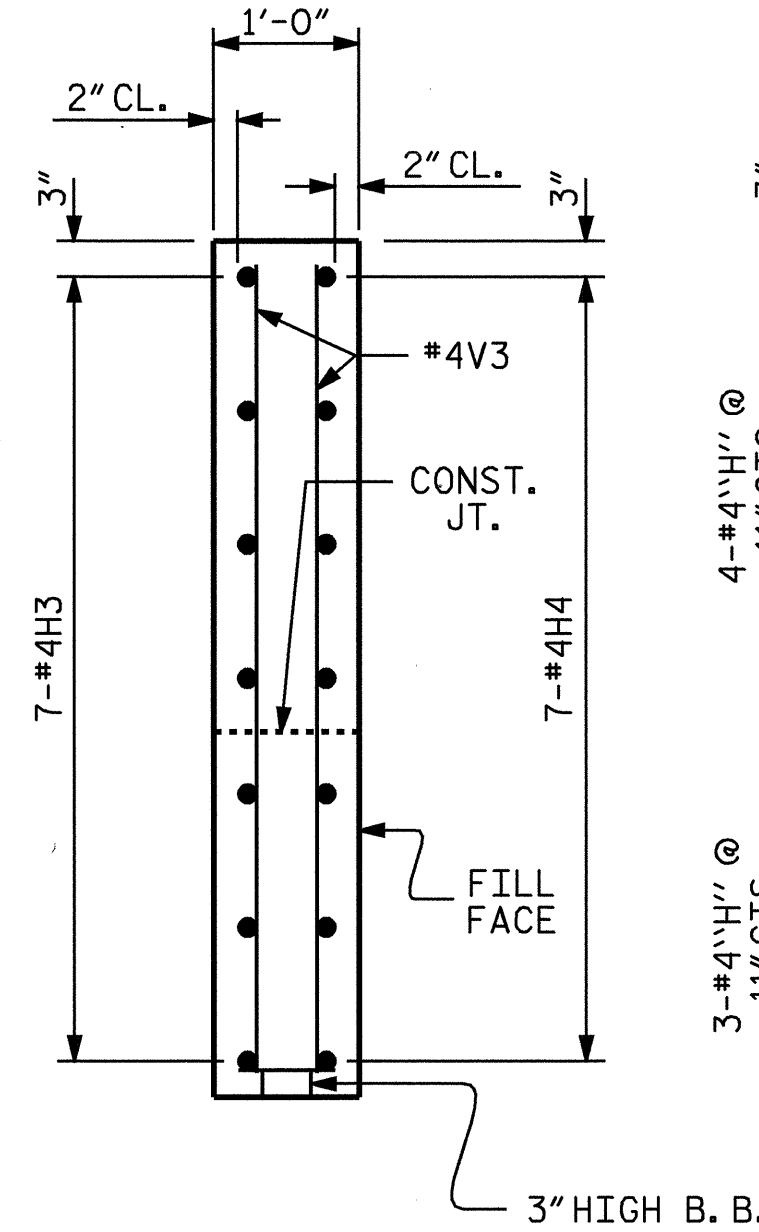
PLAN OF WING W2



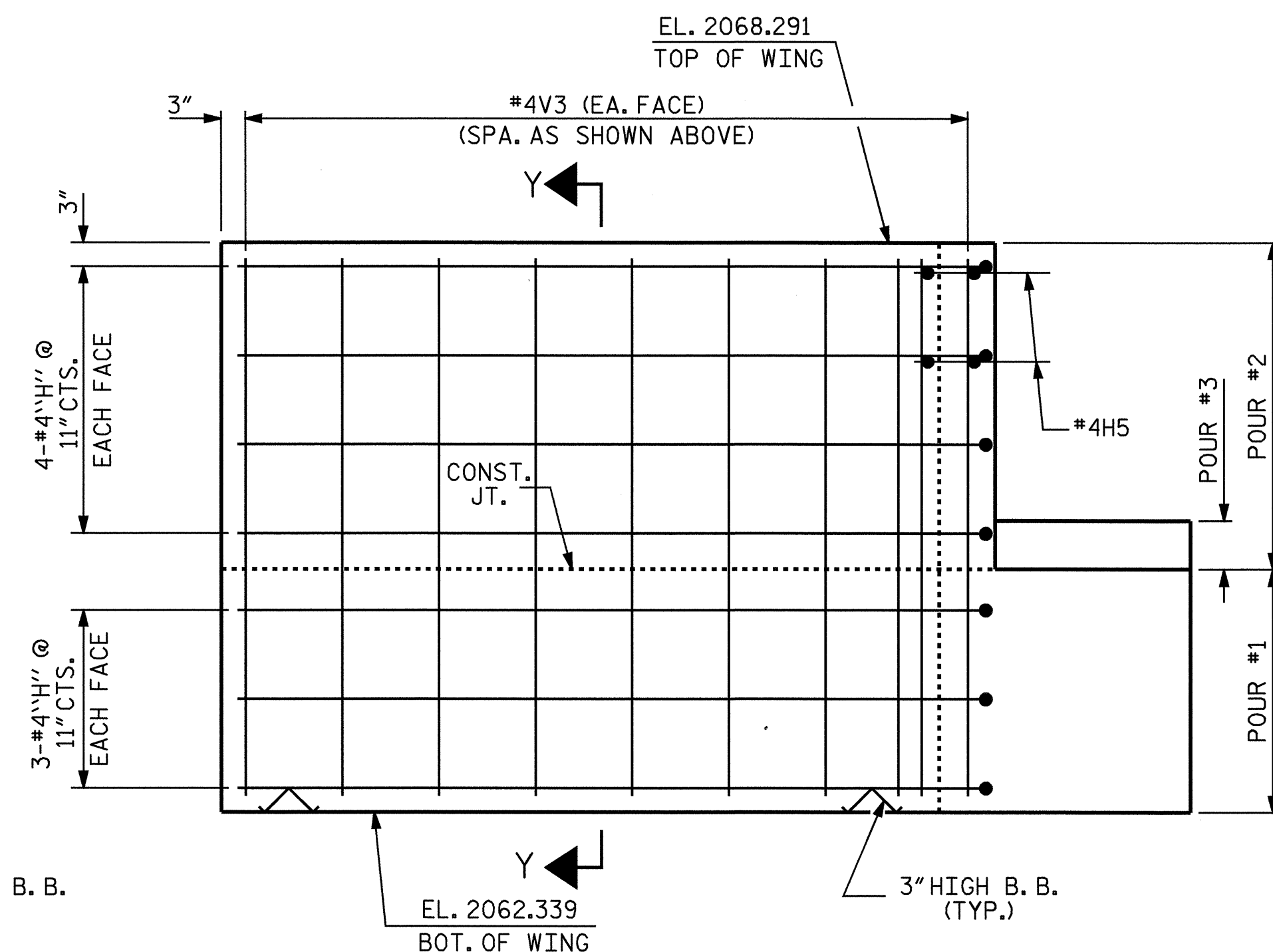
ELEVATION OF WING W1



SECTION X-X



SECTION Y-Y



ELEVATION OF WING W2

DRAWN BY : L.L. MURPHY DATE : 04-05  
 CHECKED BY : D.HODGE DATE : 05-05

06-JUN-2005 14:32  
 R:\STRUCT\B3664\lmurphy\MICROS\B3664.L.DGN  
 wjharris

PROJECT NO. B-3664  
 HENDERSON COUNTY  
 STATION: 20+95.00-L-

SHEET 2 OF 3



STATE OF NORTH CAROLINA  
 DEPARTMENT OF TRANSPORTATION  
 RALEIGH

SUBSTRUCTURE  
 END BENT NO.1

REVISIONS						SHEET NO.
NO.	BY:	DATE:	NO.	BY:	DATE:	S-15
1			3			TOTAL SHEETS 27
2			4			