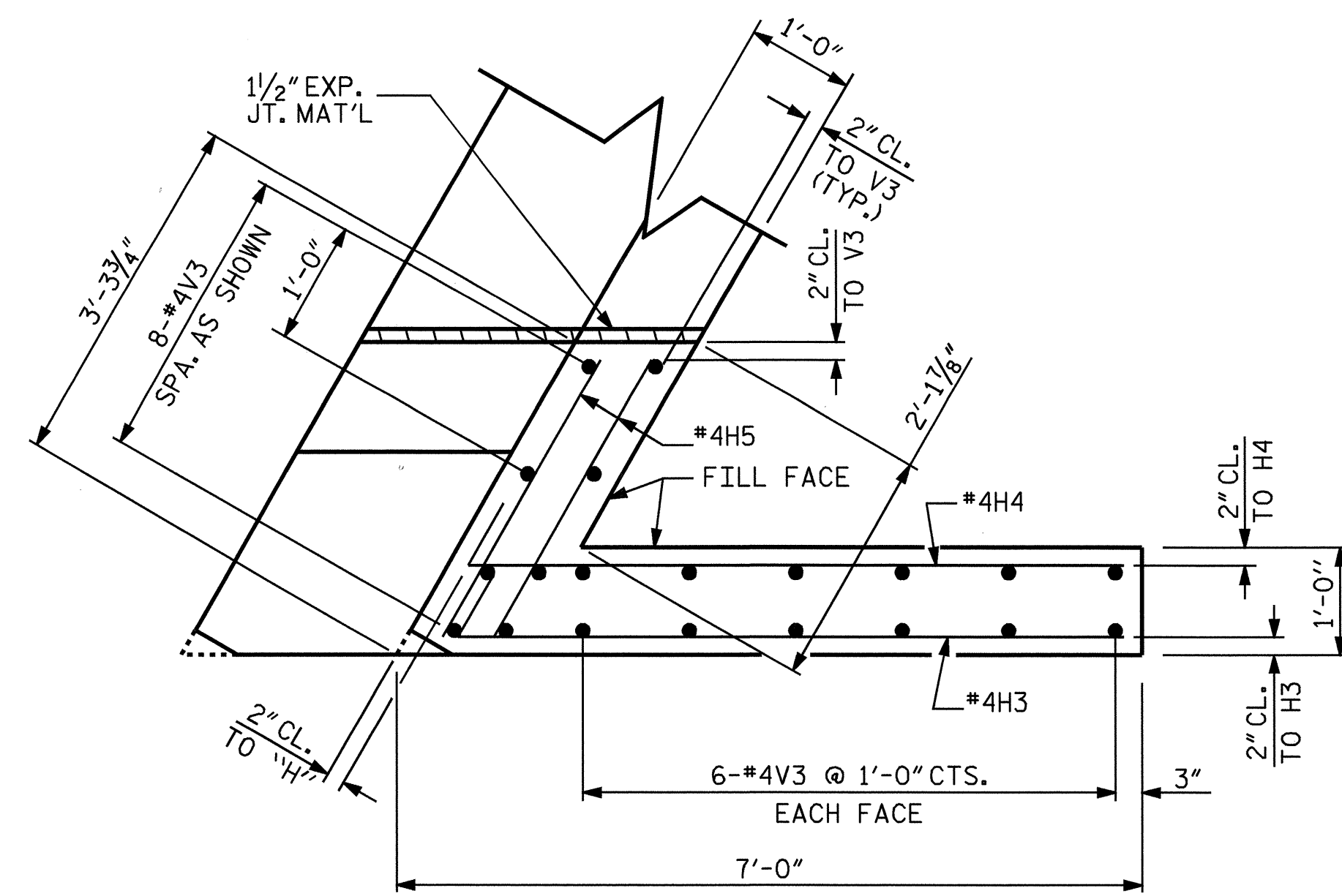
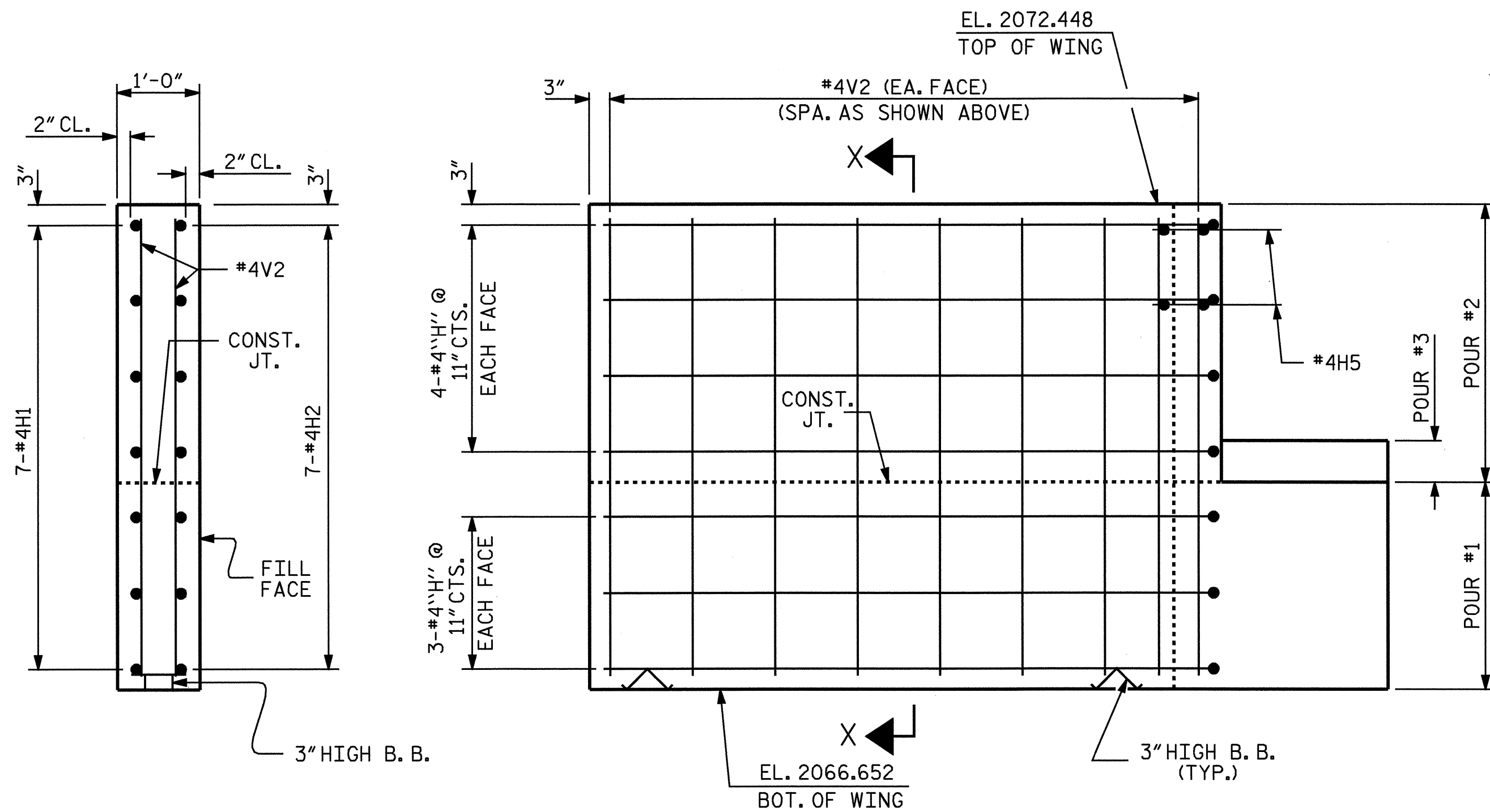


PLAN OF WING W1

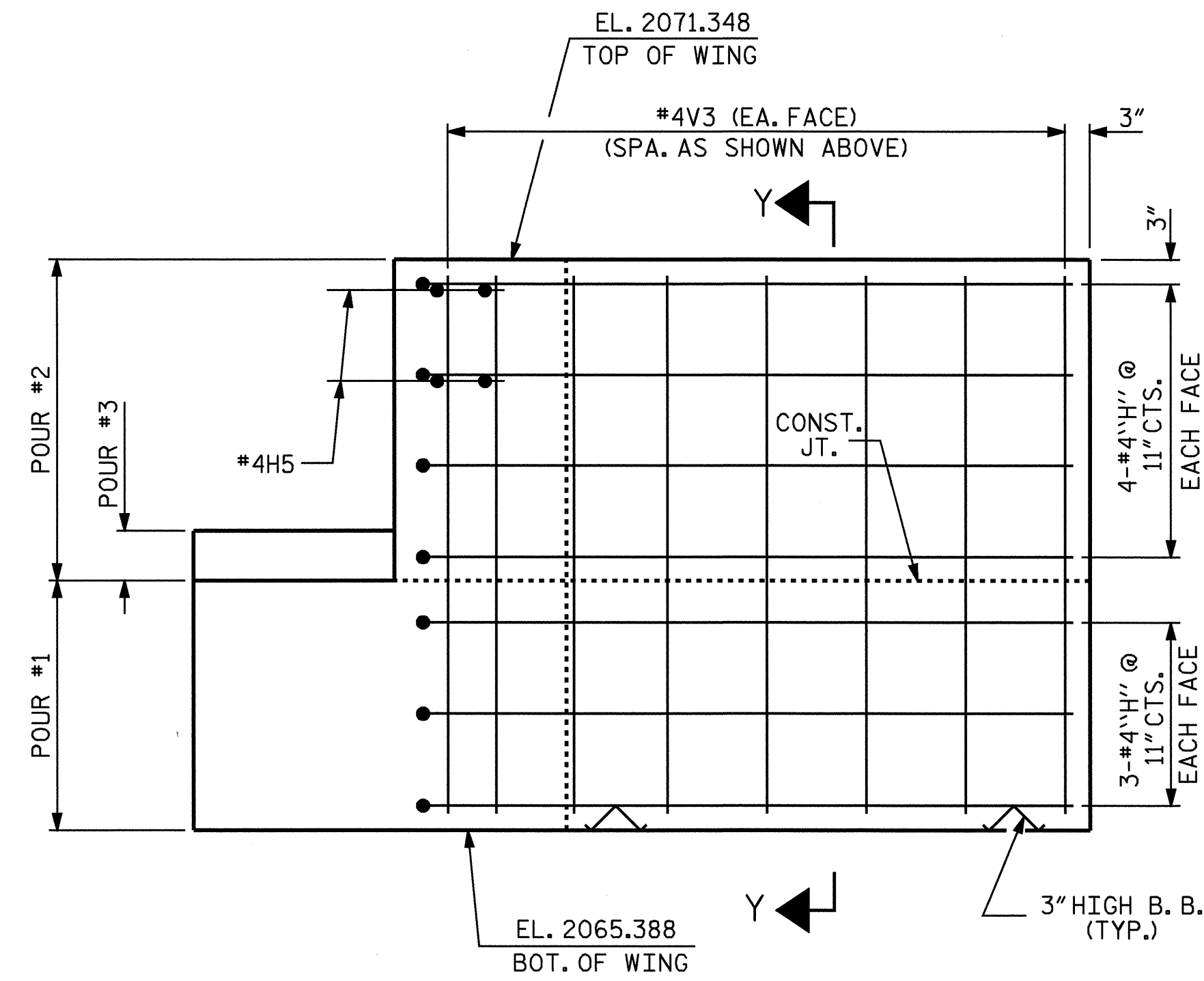


PLAN OF WING W2

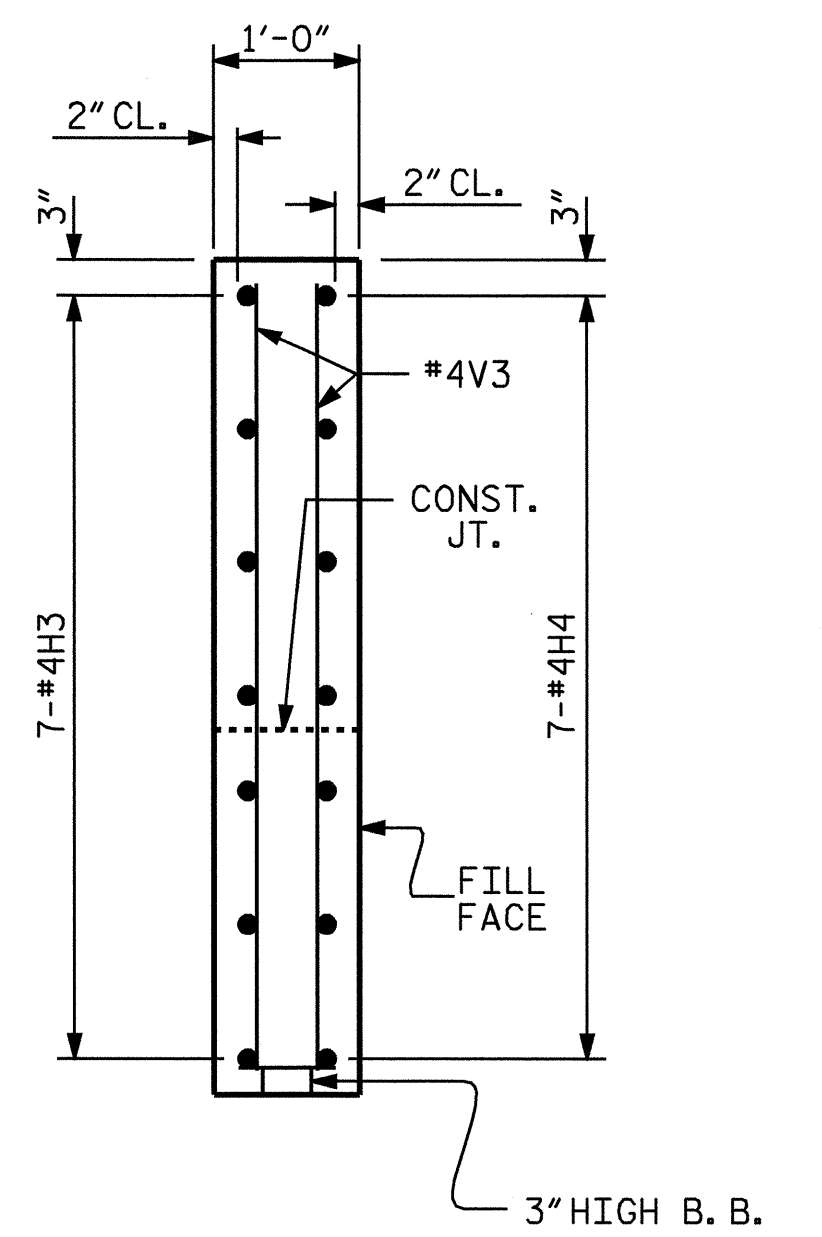


SECTION X-X

ELEVATION OF WING W1



ELEVATION OF WING W2



SECTION Y-Y

PROJECT NO. B-3664
HENDERSON COUNTY
 STATION: 20+95.00-L-

SHEET 2 OF 3

STATE OF NORTH CAROLINA
 DEPARTMENT OF TRANSPORTATION
 RALEIGH

SUBSTRUCTURE
 END BENT NO.2



DRAWN BY : L.L. MURPHY DATE : 04-05
 CHECKED BY : D.HODGE DATE : 05-05

03-JUN-2005 14:25
 R:\STRUCT\B3664\Murphy\MICROS\B3664.DGN
 lmurphy

REVISIONS						SHEET NO.	
NO.	BY:	DATE:	NO.	BY:	DATE:	S-22	
1			3			TOTAL SHEETS	
2			4			27	