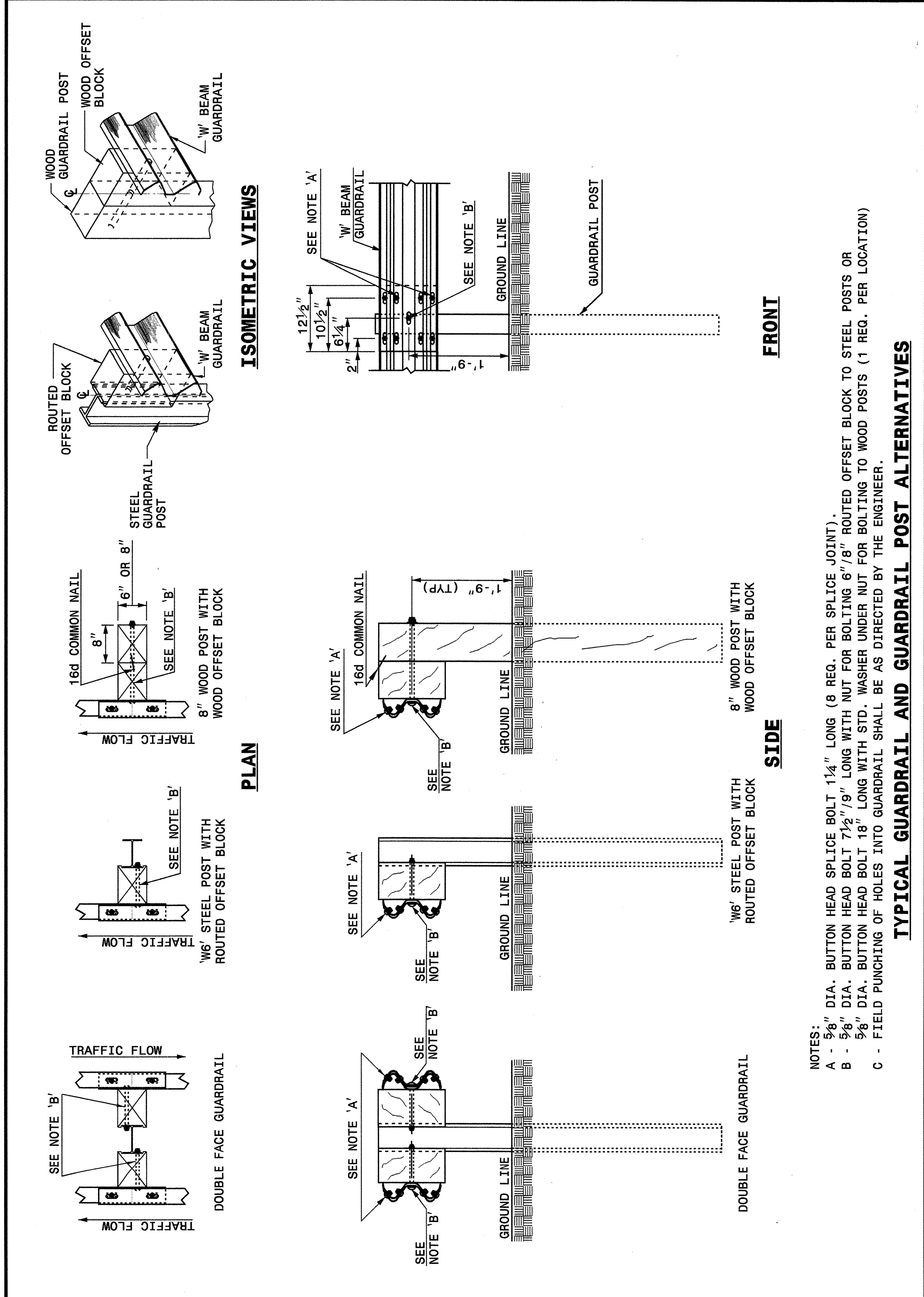


STATE OF NORTH CAROLINA
DEPT. OF TRANSPORTATION
DIVISION OF HIGHWAYS
RALEIGH, N.C.

**ENGLISH DETAIL DRAWING FOR
GUARDRAIL INSTALLATION**

SHEET 3 OF 7
862D02



STATE OF NORTH CAROLINA
DEPT. OF TRANSPORTATION
DIVISION OF HIGHWAYS
RALEIGH, N.C.

**ENGLISH DETAIL DRAWING FOR
GUARDRAIL INSTALLATION**

SHEET 3 OF 7
862D02

NOTES:
A - 5/8" DIA. BUTTON HEAD SPLICE BOLT 1 1/4" LONG (8 REQ. PER SPLICE JOINT).
B - 5/8" DIA. BUTTON HEAD BOLT 7 1/2" / 9" LONG WITH NUT FOR BOLTING 6" / 8" ROUTED OFFSET BLOCK TO STEEL POSTS OR 5/8" DIA. BUTTON HEAD BOLT 18" LONG WITH STD. WASHER UNDER NUT FOR BOLTING TO WOOD POSTS (1 REQ. PER LOCATION)
C - FIELD PUNCHING OF HOLES INTO GUARDRAIL SHALL BE AS DIRECTED BY THE ENGINEER.

TYPICAL GUARDRAIL AND GUARDRAIL POST ALTERNATIVES

STATE OF NORTH CAROLINA
DEPT. OF TRANSPORTATION
DIVISION OF HIGHWAYS
RALEIGH, N.C.

**ENGLISH DETAIL DRAWING FOR
GUARDRAIL INSTALLATION**

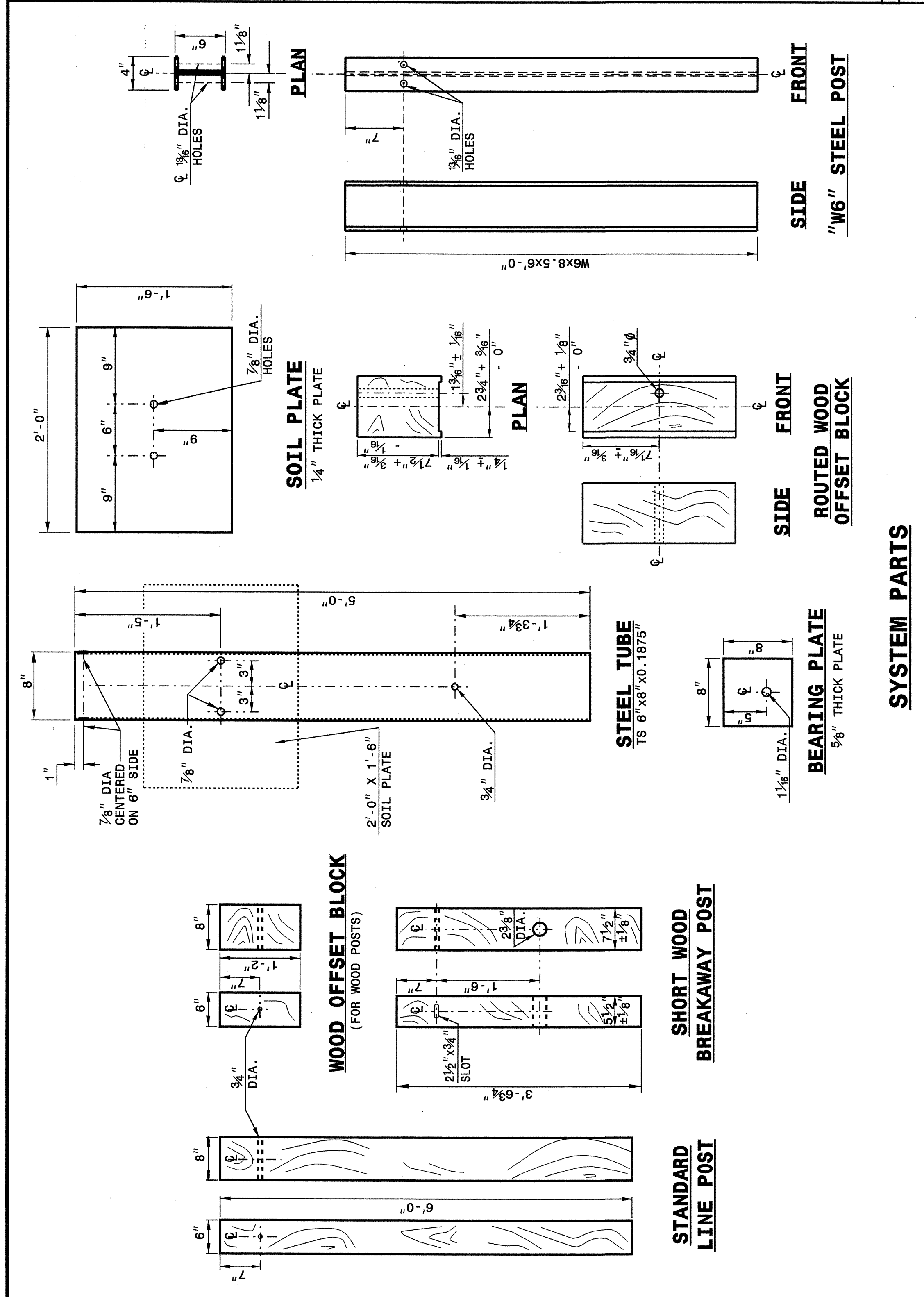
SHEET 4 OF 7
862D02



STATE OF NORTH CAROLINA
DEPT. OF TRANSPORTATION
DIVISION OF HIGHWAYS
RALEIGH, N.C.

**ENGLISH DETAIL DRAWING FOR
GUARDRAIL INSTALLATION**

SHEET 4 OF 7
862D02



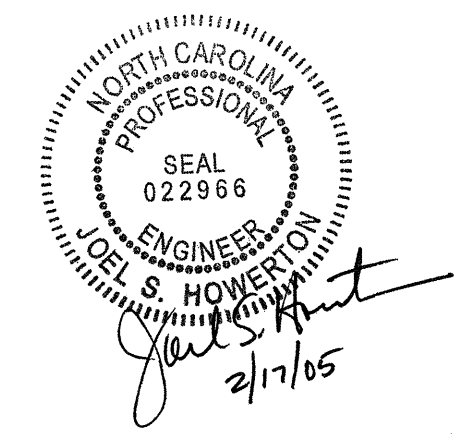
STATE OF NORTH CAROLINA
DEPT. OF TRANSPORTATION
DIVISION OF HIGHWAYS
RALEIGH, N.C.

**ENGLISH DETAIL DRAWING FOR
GUARDRAIL INSTALLATION**

SHEET 4 OF 7
862D02

**DESIGN SERVICES UNIT
STANDARDS AND SPECIAL DESIGN**
Office 919-250-4128 FAX 919-250-4119

SEE PLATE FOR TITLE



ORIGINAL BY: 2002 STD.862.02 DATE: 02-09-03
 MODIFIED BY: E.E. WARD DATE: 4-29-04
 CHECKED BY: [Signature] DATE: 4-29-04
 FILE SPEC.: /usr/stds/02todetail/eng1ish/86202/862d02.dgn