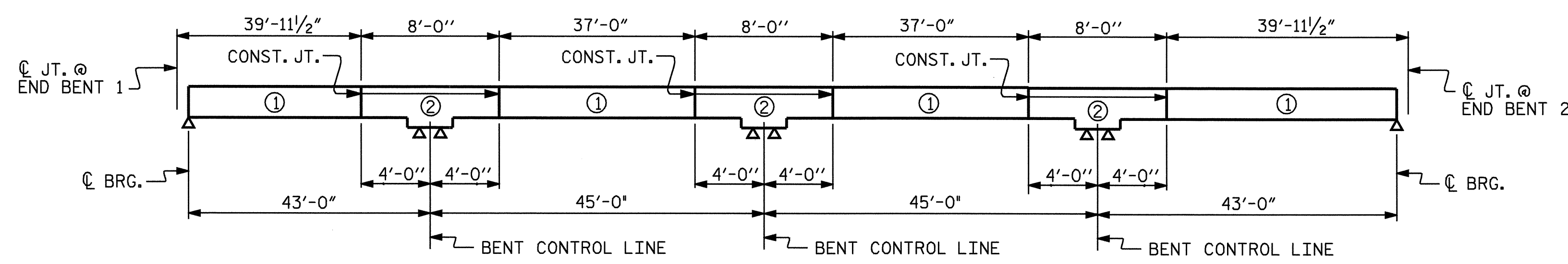


POURING SEQUENCE



OPTIONAL POURING SEQUENCE

SUPERSTRUCTURE REINFORCING STEEL LENGTHS ARE BASED ON THE FOLLOWING MINIMUM SPLICE LENGTHS

BAR SIZE	SUPERSTRUCTURE EXCEPT APPROACH SLABS, PARAPET, AND BARRIER RAIL		APPROACH SLABS		PARAPET AND BARRIER RAIL
	EPOXY COATED	UNCOATED	EPOXY COATED	UNCOATED	
#4	2'-0"	1'-9"	2'-0"	1'-9"	2'-9"
#5	2'-6"	2'-2"	2'-6"	2'-2"	3'-5"
#6	3'-0"	2'-7"	3'-10"	2'-7"	4'-4"
#7	5'-3"	3'-6"			
#8	6'-10"	4'-7"			

GROOVING BRIDGE FLOORS

BRIDGE DECK	4944	SQ. FT.
APPROACH SLAB	1425	SQ. FT.
TOTAL	6369	SQ. FT.

— SUPERSTRUCTURE BILL OF MATERIAL —

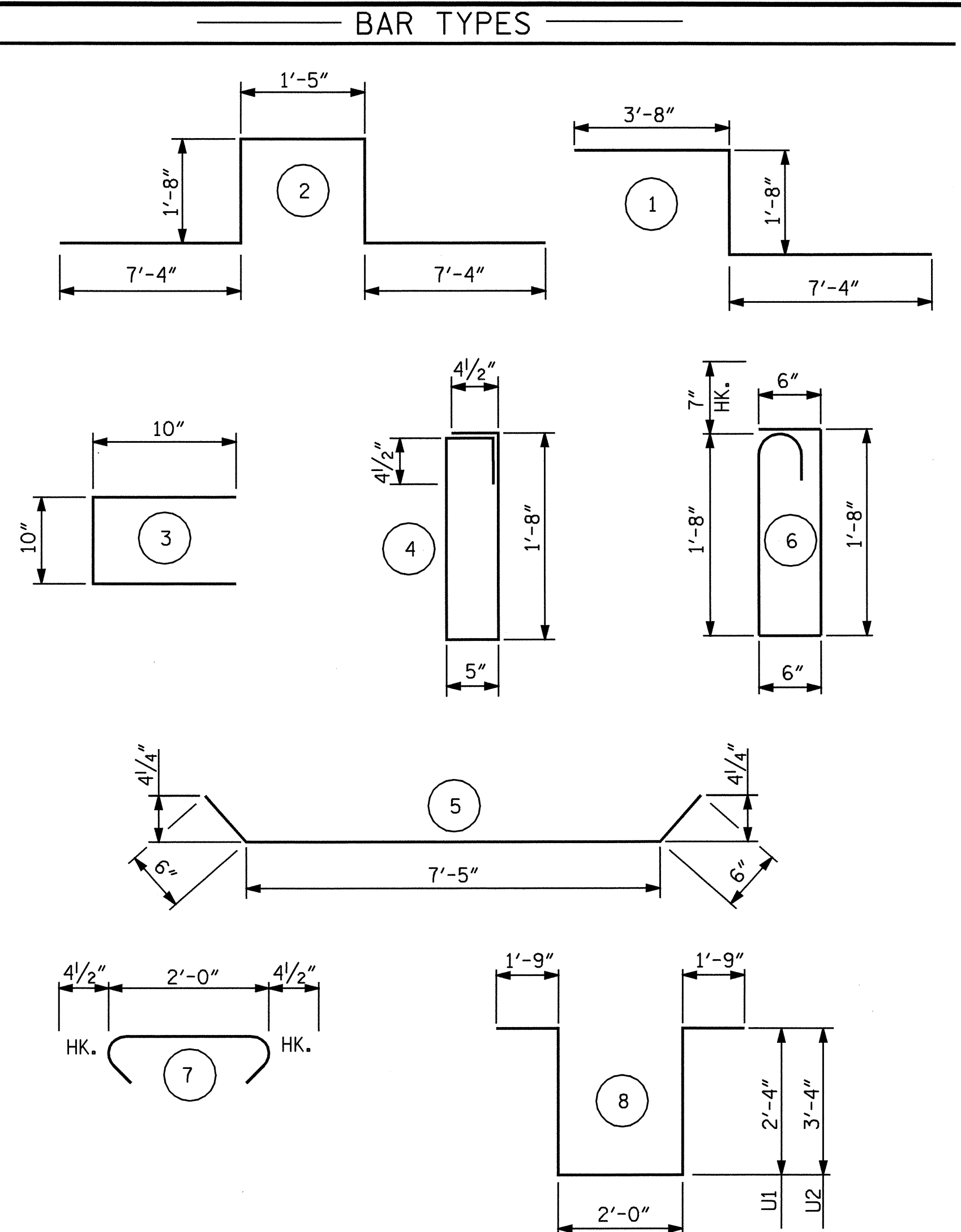
	CLASS AA CONCRETE				REINFORCING STEEL	EPOXY COATED REINFORCING STEEL
	(CU. YDS.)	(POUR #1)	(POUR #2)	(POUR #3)		
SPANS A, B, C & D	38.6	53.8	53.8	64.8	20715	21898
TOTAL **	211.0				20715	21898

** QUANTITIES FOR BARRIER RAIL ARE NOT INCLUDED

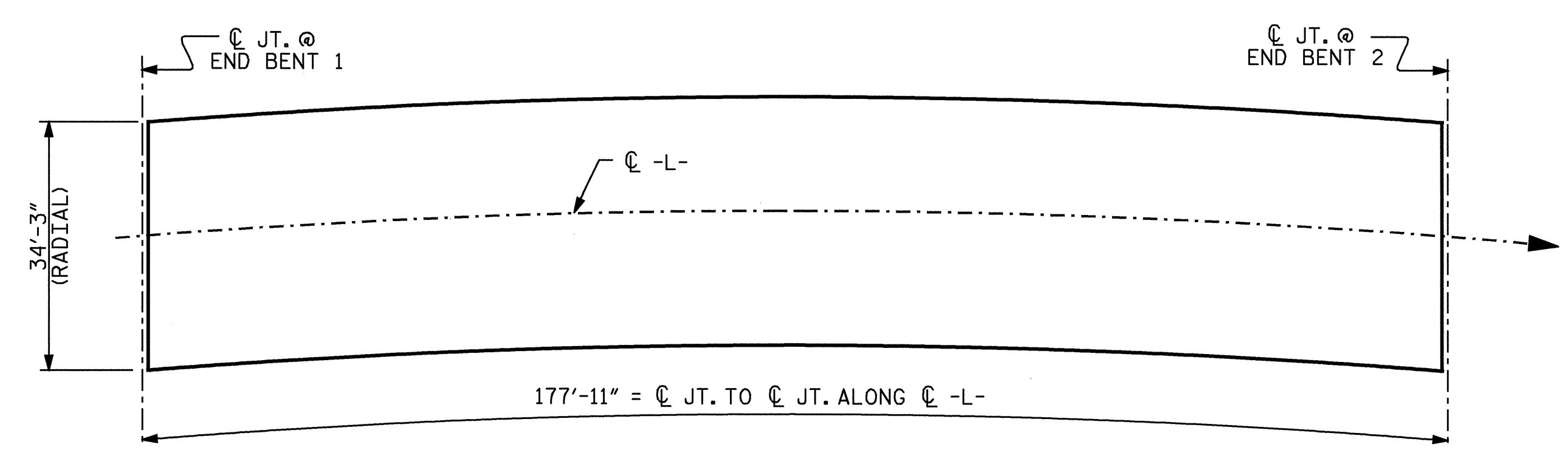
BILL OF MATERIAL

SPANS A, B, C & D

BAR	NO.	SIZE	TYPE	LENGTH	WEIGHT
*A1	328	#5	STR	33'-9"	11546
A2	328	#5	STR	33'-9"	11546
*B1	48	#4	STR	29'-9"	954
*B2	135	#5	STR	38'-0"	5351
*B3	126	#5	STR	13'-6"	1774
*B4	48	#4	STR	17'-0"	545
B5	156	#5	STR	46'-0"	7485
*G1	2	#5	STR	33'-9"	70
*K1	8	#8	1	12'-8"	271
*K2	8	#8	2	19'-5"	415
*K3	6	#6	STR	7'-11"	71
K4	36	#4	STR	8'-5"	202
K5	18	#4	STR	6'-3"	75
K6	18	#4	STR	7'-11"	95
K7	12	#4	STR	27'-11"	224
K8	24	#5	STR	7'-11"	198
K9	24	#5	5	8'-5"	211
*S1	48	#5	6	4'-11"	246
*S2	48	#4	3	2'-6"	80
S3	198	#4	7	2'-9"	364
S4	96	#4	4	4'-11"	315
*U1	18	#4	8	11'-4"	136
*U2	54	#4	8	12'-2"	439
REINFORCING STEEL				=20715 LBS.	
*EPOXY COATED REINF. STEEL				= 21898 LBS.	

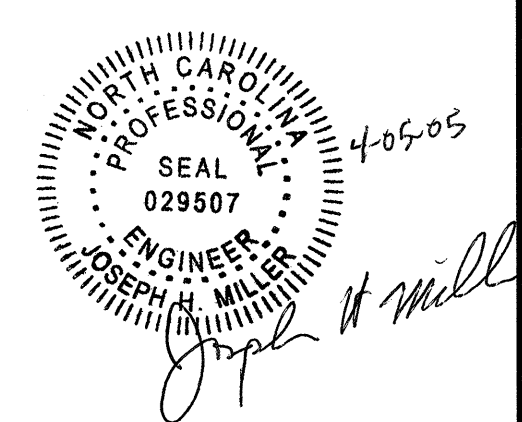


ALL BAR DIMENSIONS ARE OUT TO OUT



LAYOUT FOR COMPUTING AREA OF REINFORCED CONCRETE DECK SLAB
(6093 SQ.FT.)

PROJECT NO. B-3467
HALIFAX COUNTY
 STATION: 20+75.00 -L-



STATE OF NORTH CAROLINA
 DEPARTMENT OF TRANSPORTATION
 RALEIGH
**SUPERSTRUCTURE
 BILL OF MATERIAL**

DRAWN BY: B.N.BARODAWALA DATE: 2-7-03
 CHECKED BY: J.H.MILLER DATE: 1-10-05

REVISIONS						SHEET NO.
NO.	BY:	DATE:	NO.	BY:	DATE:	S-16
1			3			TOTAL SHEETS
2			4			60

STR. #1