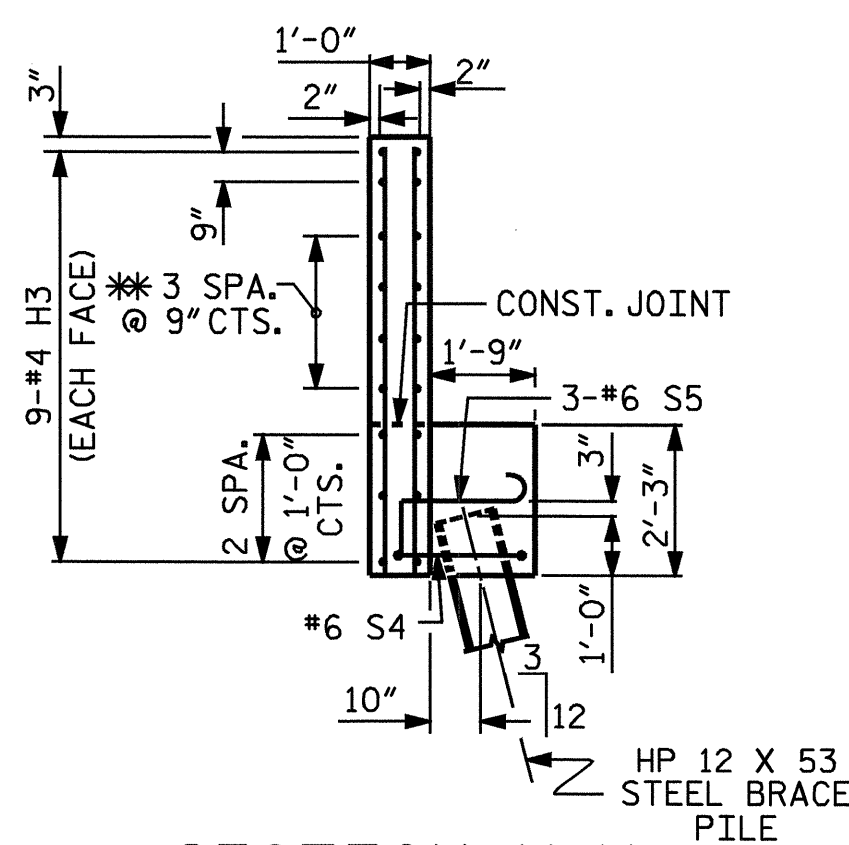
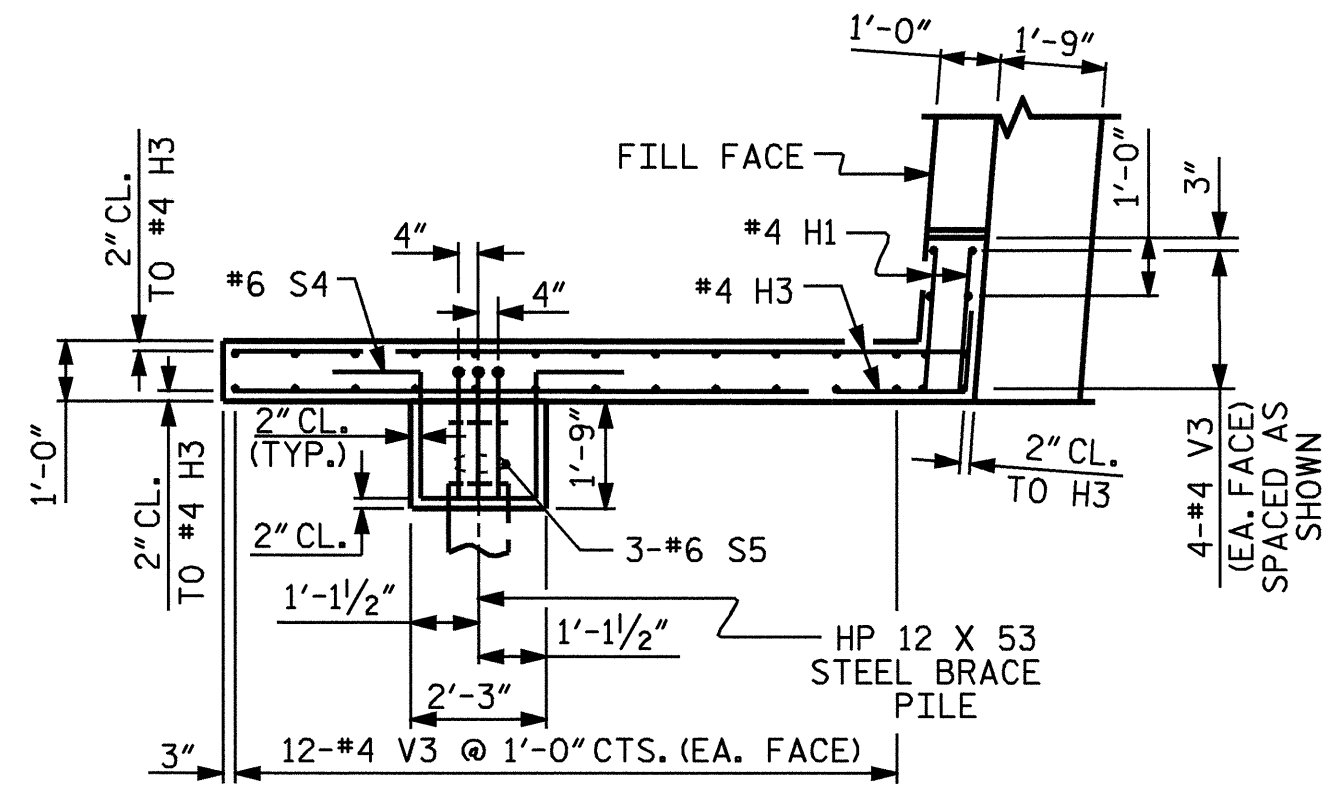


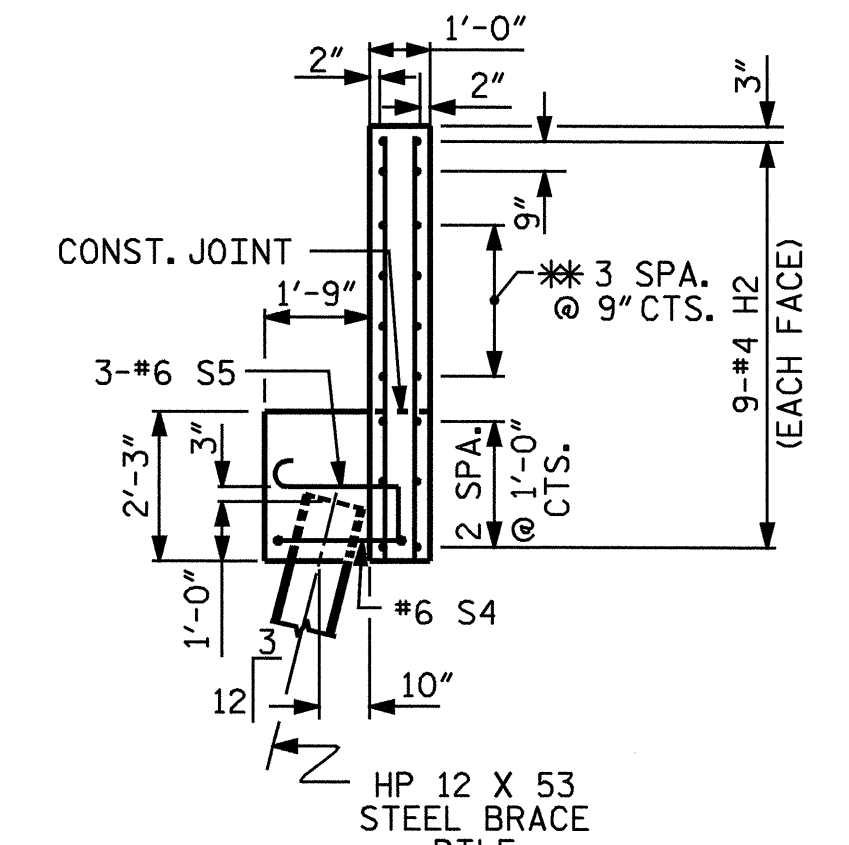
PLAN W1



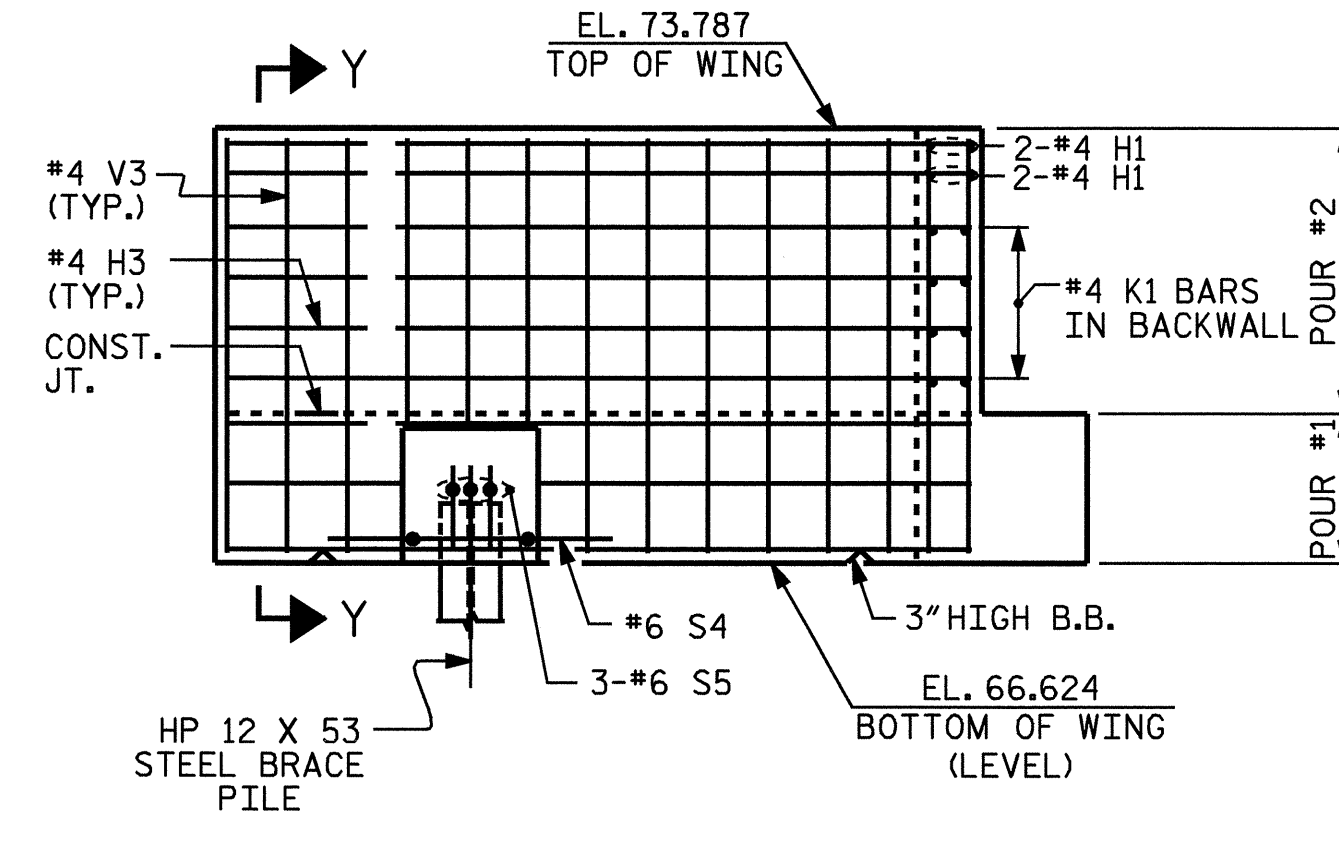
SECTION Y-Y



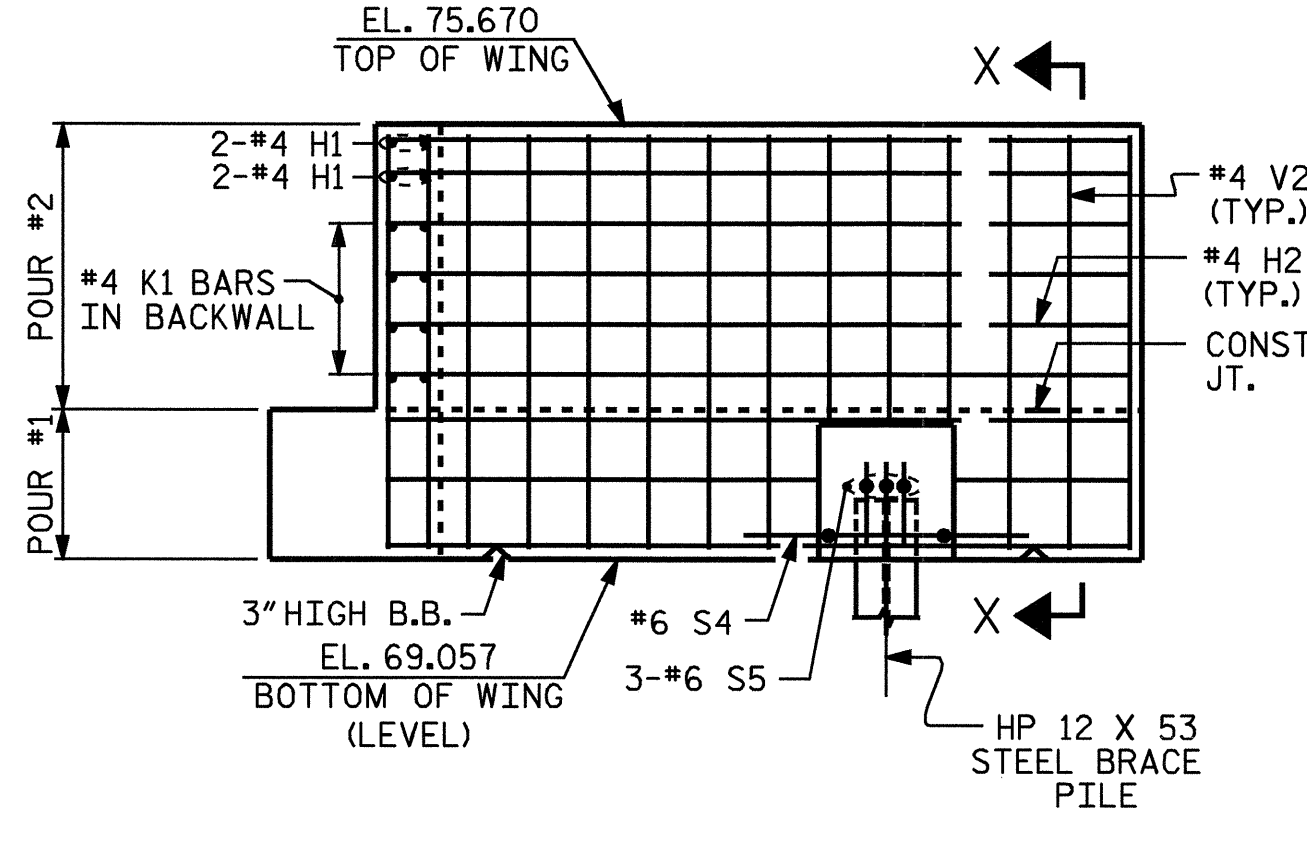
PLAN W2



SECTION X-X

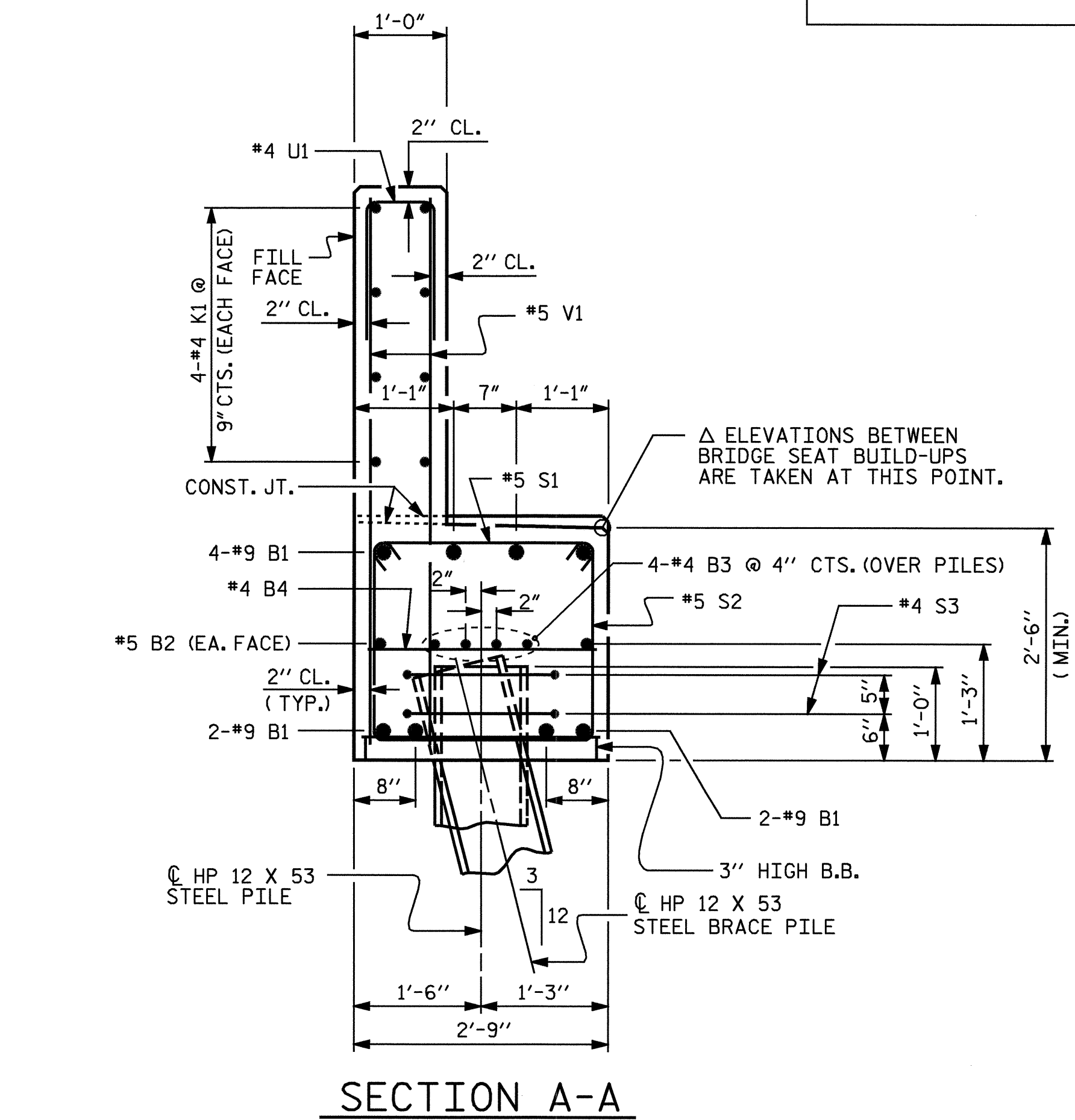


ELEVATION W2

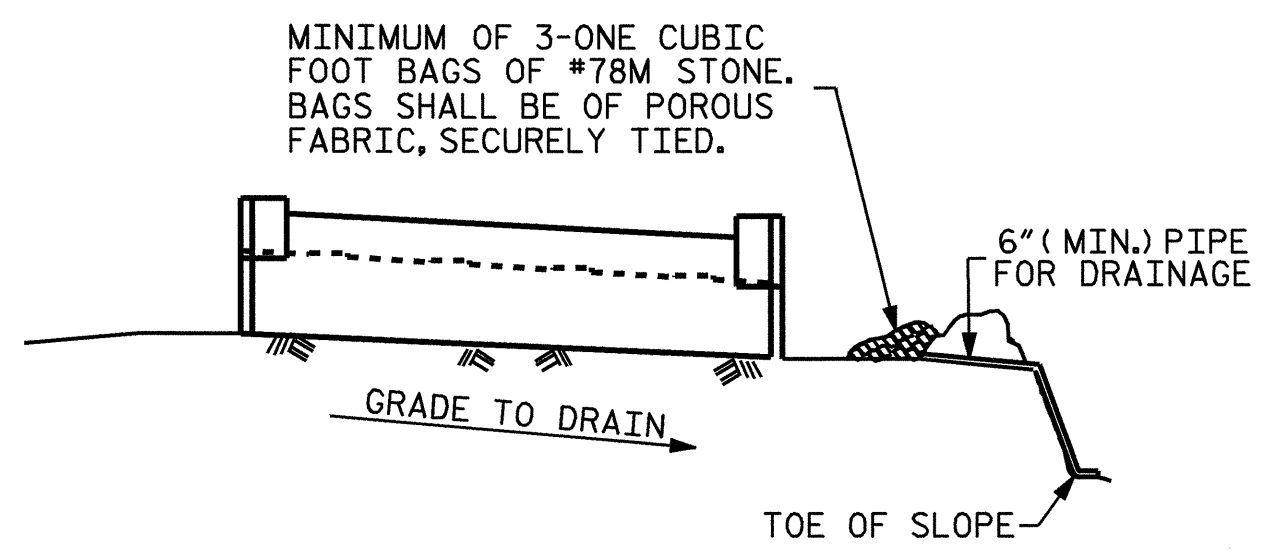


ELEVATION W1

* THESE BARS TO MATCH K1 BARS IN BACKWALL



SECTION A-A



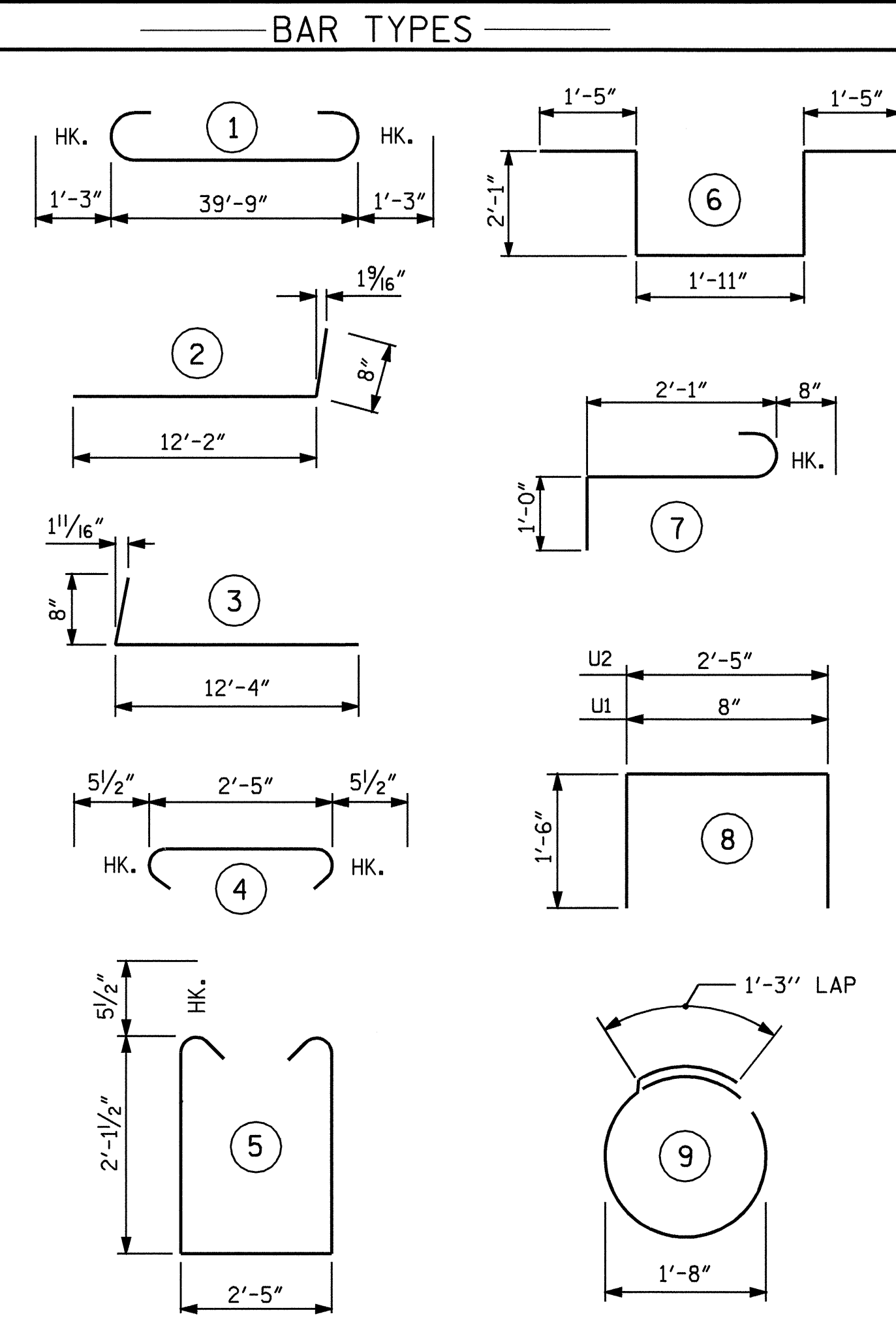
MINIMUM OF 3-ONE CUBIC FOOT BAGS OF #78M STONE. BAGS SHALL BE OF POROUS FABRIC, SECURELY TIED.

BAGGED STONE AND PIPE SHALL BE PLACED IMMEDIATELY AFTER COMPLETION OF END BENT EXCAVATION. PIPE MAY BE EITHER CONCRETE, CORRUGATED STEEL, CORRUGATED ALUMINUM ALLOY, OR CORRUGATED PLASTIC. PERFORATED PIPE WILL NOT BE ALLOWED.

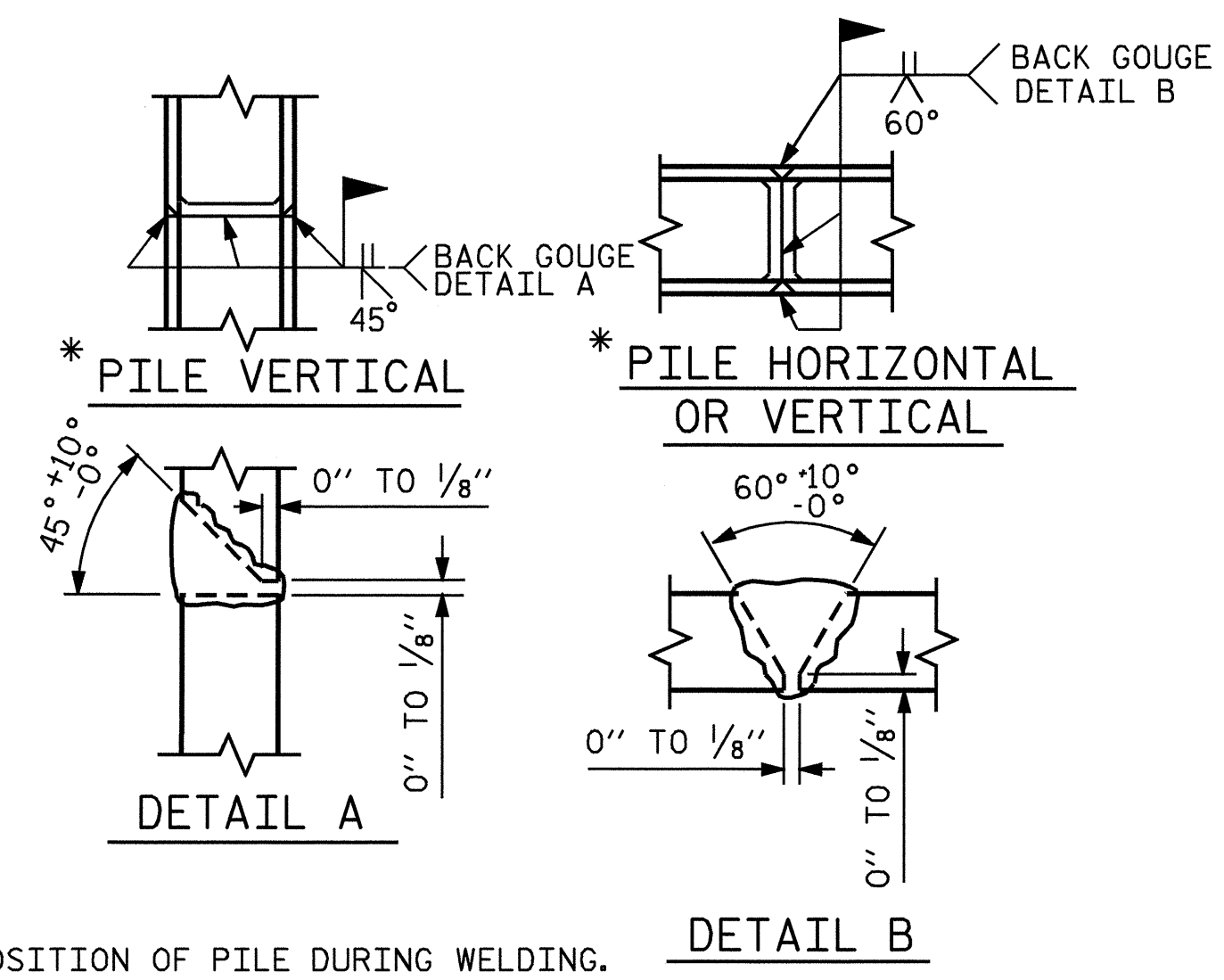
BAGGED STONE SHALL REMAIN IN PLACE UNTIL THE ENGINEER DIRECTS THAT IT BE REMOVED. THE CONTRACTOR SHALL REMOVE AND DISPOSE OF SILT ACCUMULATIONS AT BAGGED STONE WHEN SO DIRECTED BY THE ENGINEER. BAGS SHALL BE REMOVED AND REPLACED WHENEVER THE ENGINEER DETERMINES THAT THEY HAVE DETEIORATED AND LOST THEIR EFFECTIVENESS.

NO SEPARATE PAYMENT WILL BE MADE FOR THIS WORK AND THE ENTIRE COST OF THIS WORK SHALL BE INCLUDED IN THE UNIT CONTRACT PRICE BID FOR THE SEVERAL PAY ITEMS.

TEMPORARY DRAINAGE AT END BENT



ALL BAR DIMENSIONS ARE OUT TO OUT.



PILE SPLICE DETAILS

BILL OF MATERIAL					
END BENT 1					
BAR	NO.	SIZE	TYPE	LENGTH	WEIGHT
B1	8	#9	1	42'-3"	1149
B2	2	#5	STR	39'-11"	83
B3	8	#4	STR	21'-2"	113
B4	10	#4	STR	2'-5"	16
B5	16	#4	STR	2'-7"	28
H1	8	#4	STR	2'-5"	13
H2	18	#4	2	12'-10"	154
H3	18	#4	3	13'-0"	156
K1	16	#4	STR	21'-2"	226
S1	35	#5	4	3'-4"	122
S2	35	#5	5	7'-7"	277
S3	12	#4	9	6'-6"	52
S4	2	#6	6	8'-11"	27
S5	6	#6	7	3'-9"	34
U1	35	#4	8	3'-8"	86
U2	12	#4	8	5'-5"	43
V1	70	#5	STR	5'-1"	371
V2	32	#4	STR	6'-3"	134
V3	32	#4	STR	6'-10"	146
REINFORCING STEEL				= LBS. 3230	
CLASS A CONCRETE					
POUR #1: (CAP & WINGS)				13.3 CU.YD.	
POUR #2: (BACKWALL & WINGS)				8.5 CU.YD.	
TOTAL				21.8 CU.YD.	
HP 12 x 53 STEEL PILES					
NO.	8			LIN. FT. 440	

DRAWN BY: B.N.BARODAWALA DATE: 4-1-03
 CHECKED BY: J.H.MILLER DATE: 1-10-05

08-MAR-2005 14:19
 W:\Squad\B3467_v8\str\1\barodawala\B3467.sd.E*.01.dgn
 isuttton

STATE OF NORTH CAROLINA
 PROFESSIONAL ENGINEER
 SEAL 029607
 JOSEPH H. MILLER
 2/10/05

PROJECT NO. B-3467
 HALIFAX COUNTY
 STATION: 20+75.00 -L-

SHEET 2 OF 2

REVISIONS						SHEET NO.
NO.	BY:	DATE:	NO.	BY:	DATE:	S-18
1			3			TOTAL SHEETS
2			4			60

STR. #1