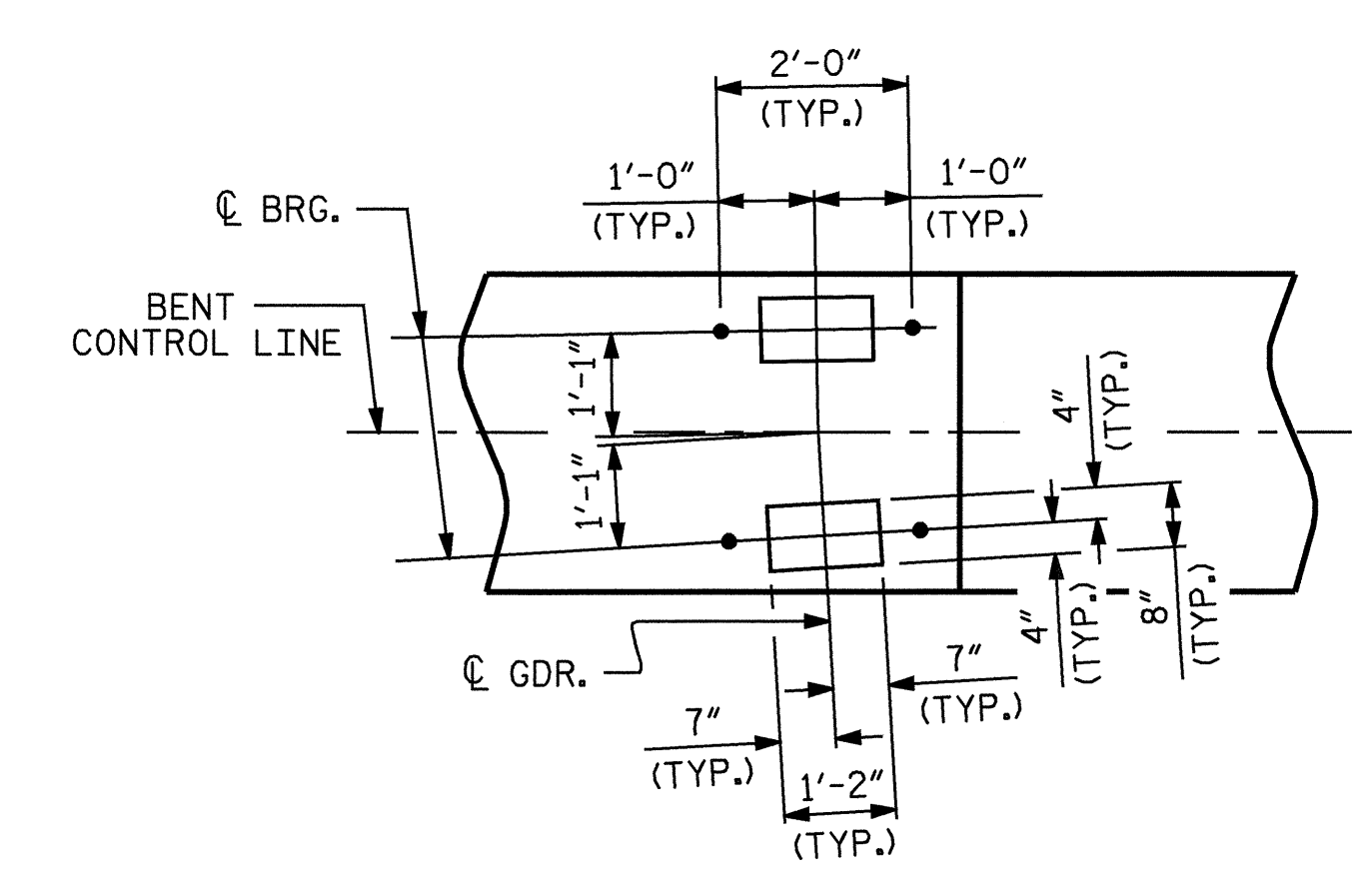


NOTES

REINFORCING STEEL IN CAP MAY BE SHIFTED AS NECESSARY TO CLEAR ANCHOR BOLTS.

FOR REINFORCING STEEL IN PIPE PILES, SEE "18" STEEL PIPE PILE" SHEET.

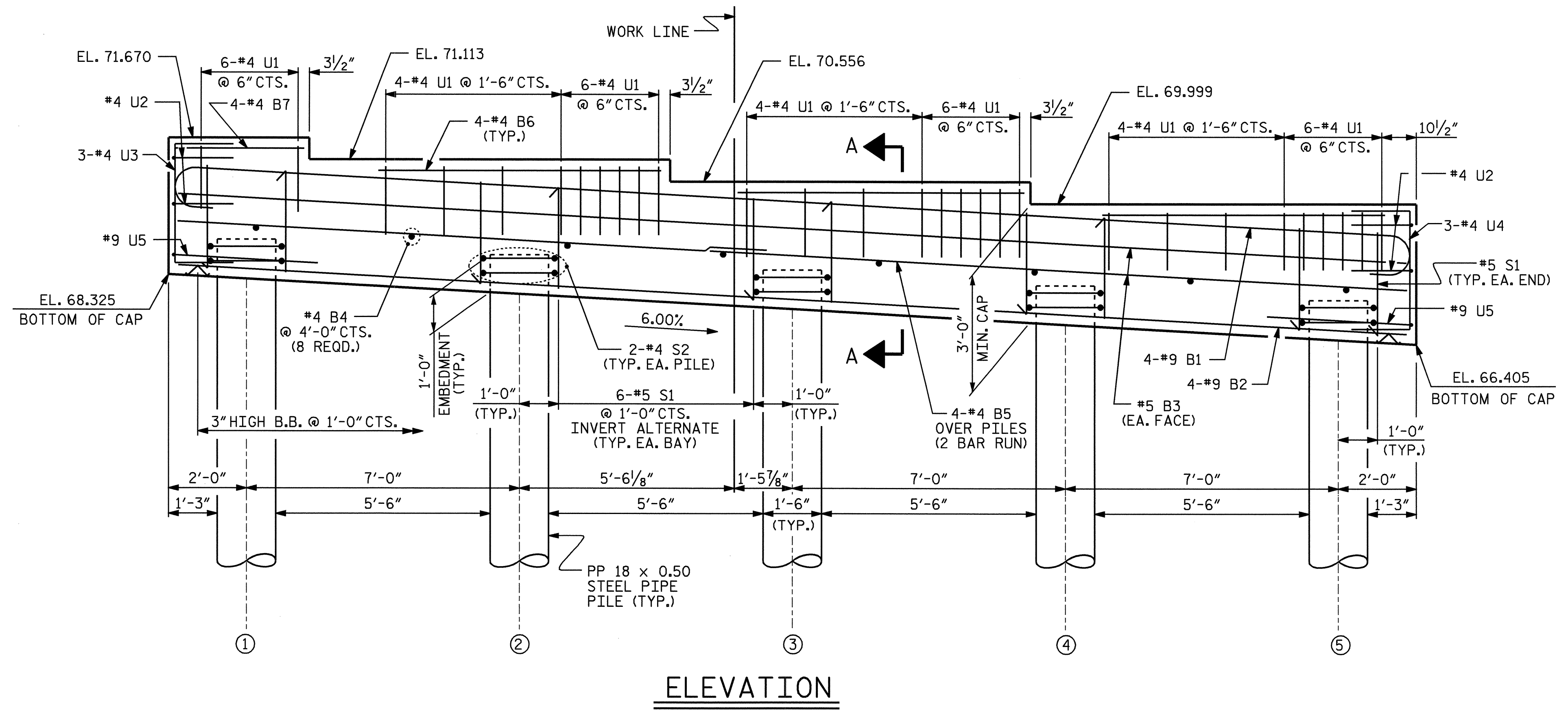


SPLICE LENGTH CHART

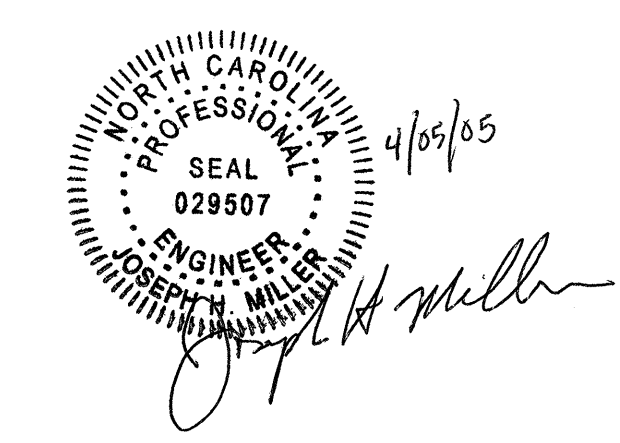
| BAR | SIZE | SPLICE LENGTH |
|-----|------|---------------|
| B5 | #4 | 2'-5" |

TOP OF PILE ELEVATIONS

| | |
|---|--------|
| 1 | 69.250 |
| 2 | 68.830 |
| 3 | 68.410 |
| 4 | 67.990 |
| 5 | 67.570 |



PROJECT NO. B-3467
HALIFAX COUNTY
 STATION: 20+75.00 -L-
 SHEET 1 OF 2



STATE OF NORTH CAROLINA
 DEPARTMENT OF TRANSPORTATION
 RALEIGH

**SUBSTRUCTURE
 BENT 1**

DRAWN BY: B.N.BARODAWALA DATE: 10-7-03
 CHECKED BY: J.H.MILLER DATE: 1-10-05

REVISIONS

| NO. | BY: | DATE: | NO. | BY: | DATE: |
|-----|-----|-------|-----|-----|-------|
| 1 | | | 3 | | |
| 2 | | | 4 | | |

SHEET NO. S-19
 TOTAL SHEETS 60