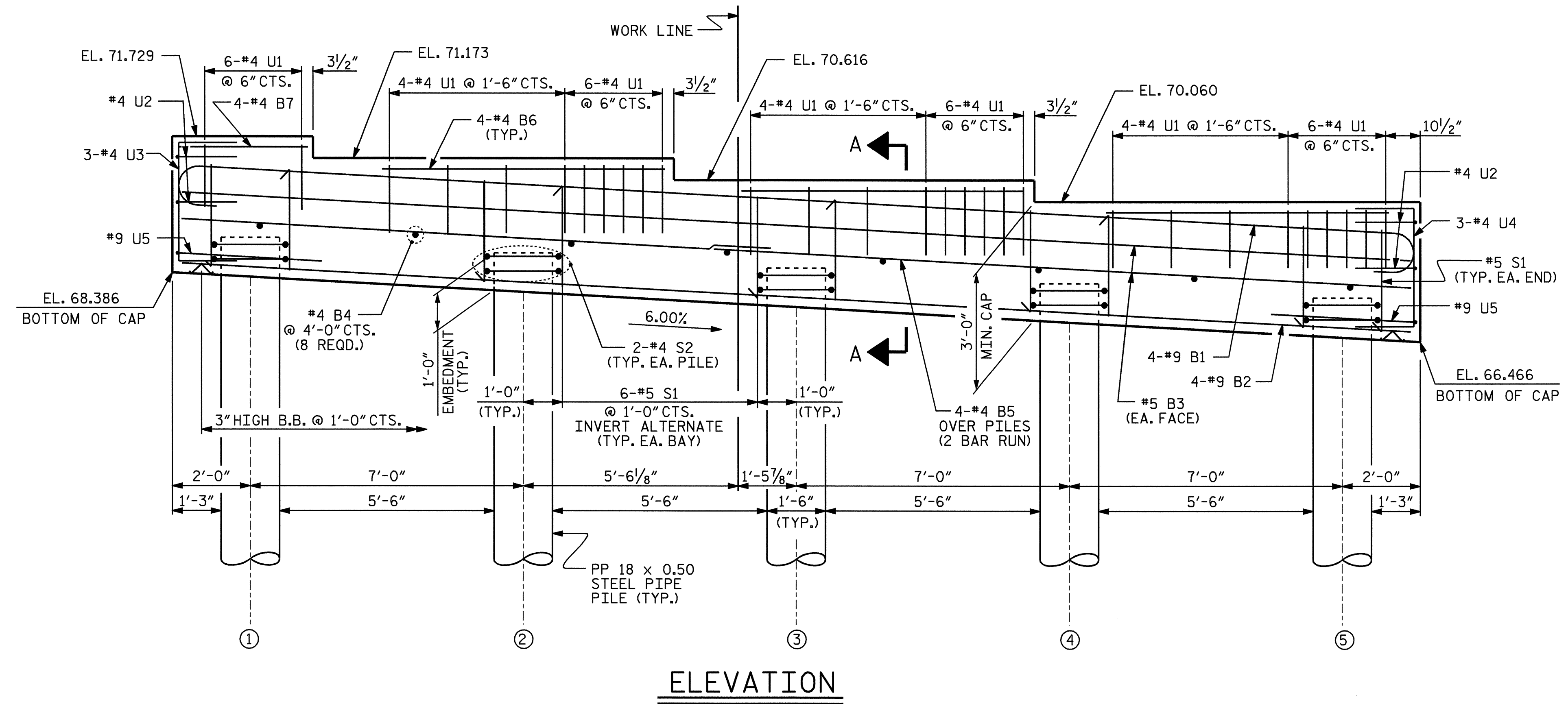
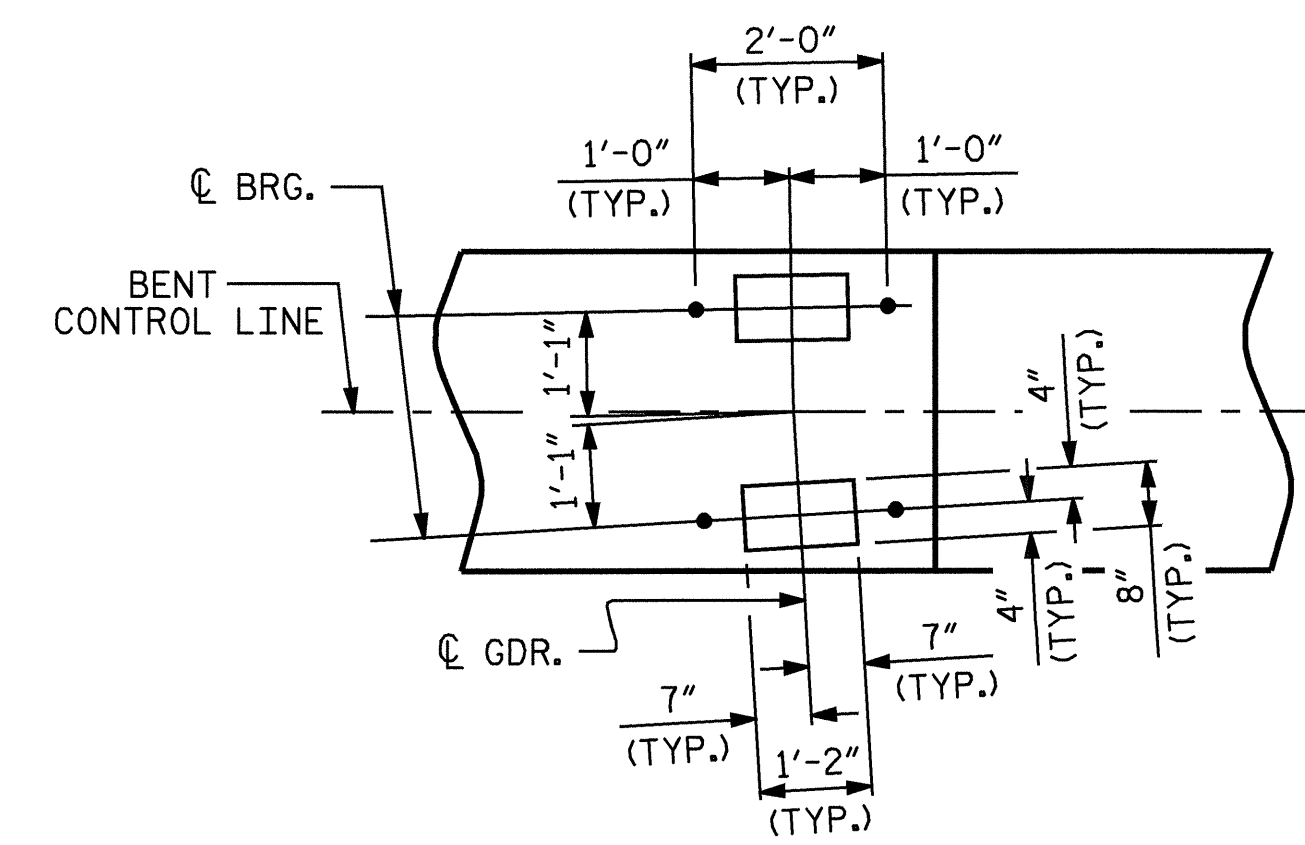


NOTES

REINFORCING STEEL IN CAP MAY BE SHIFTED AS NECESSARY TO CLEAR ANCHOR BOLTS.

FOR REINFORCING STEEL IN PIPE PILES, SEE "18" STEEL PIPE PILE" SHEET.



SPLICE LENGTH CHART

BAR	SIZE	SPLICE LENGTH
B5	#4	2'-5"

TOP OF PILE ELEVATIONS

1	69.311
2	68.891
3	68.471
4	68.051
5	67.631

PROJECT NO. B-3467

HALIFAX COUNTY

STATION: 20+75.00 -L-

SHEET 1 OF 2



STATE OF NORTH CAROLINA
DEPARTMENT OF TRANSPORTATION
RALEIGH

SUBSTRUCTURE

BENT 3

REVISIONS						SHEET NO.	
NO.	BY:	DATE:	NO.	BY:	DATE:	S-23	
1			3			TOTAL	60
2			4			SHEETS	

DRAWN BY: B.N. BARODAWALA DATE: 10-7-03

CHECKED BY: J.H. MILLER DATE: 1-10-05