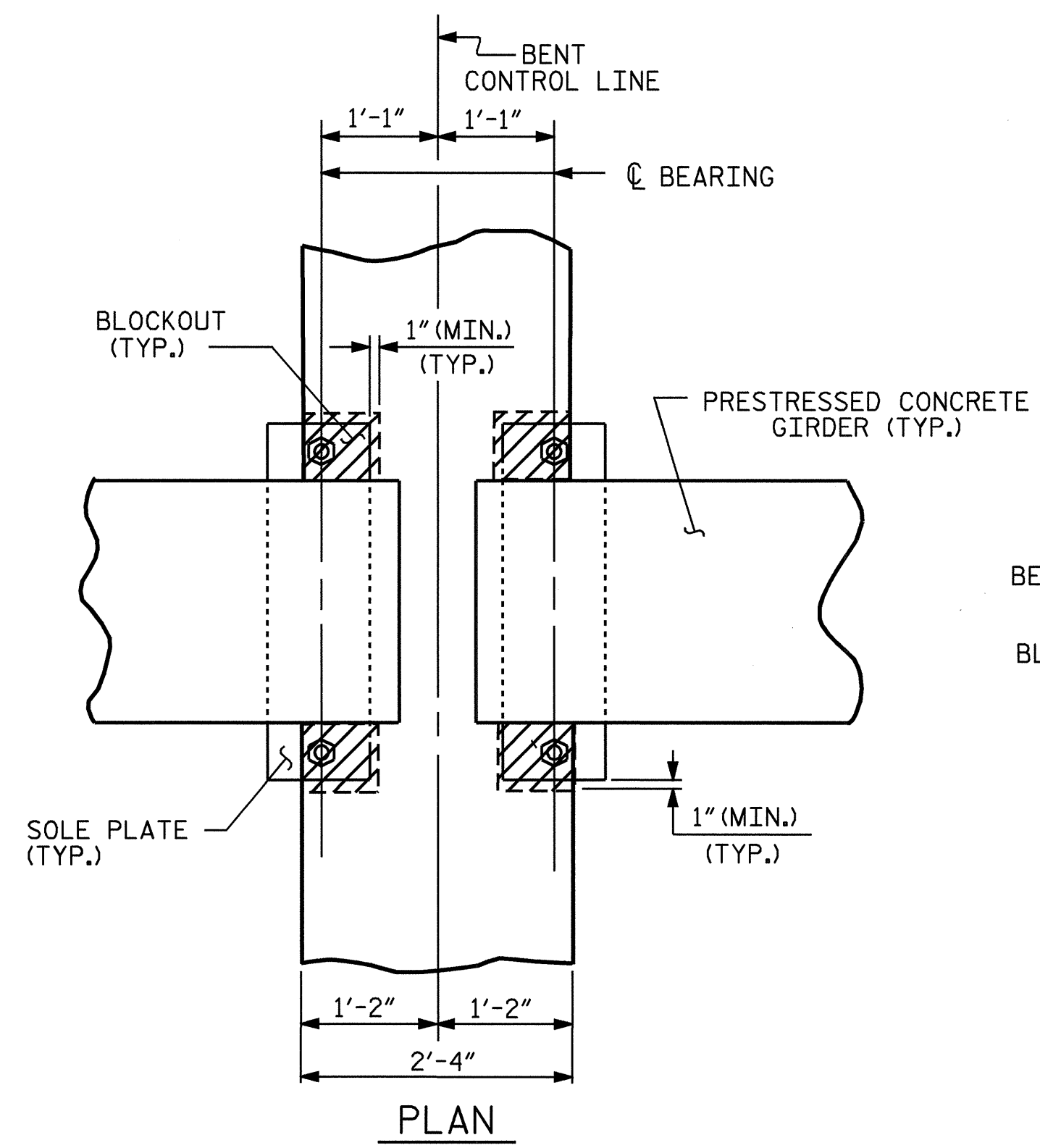
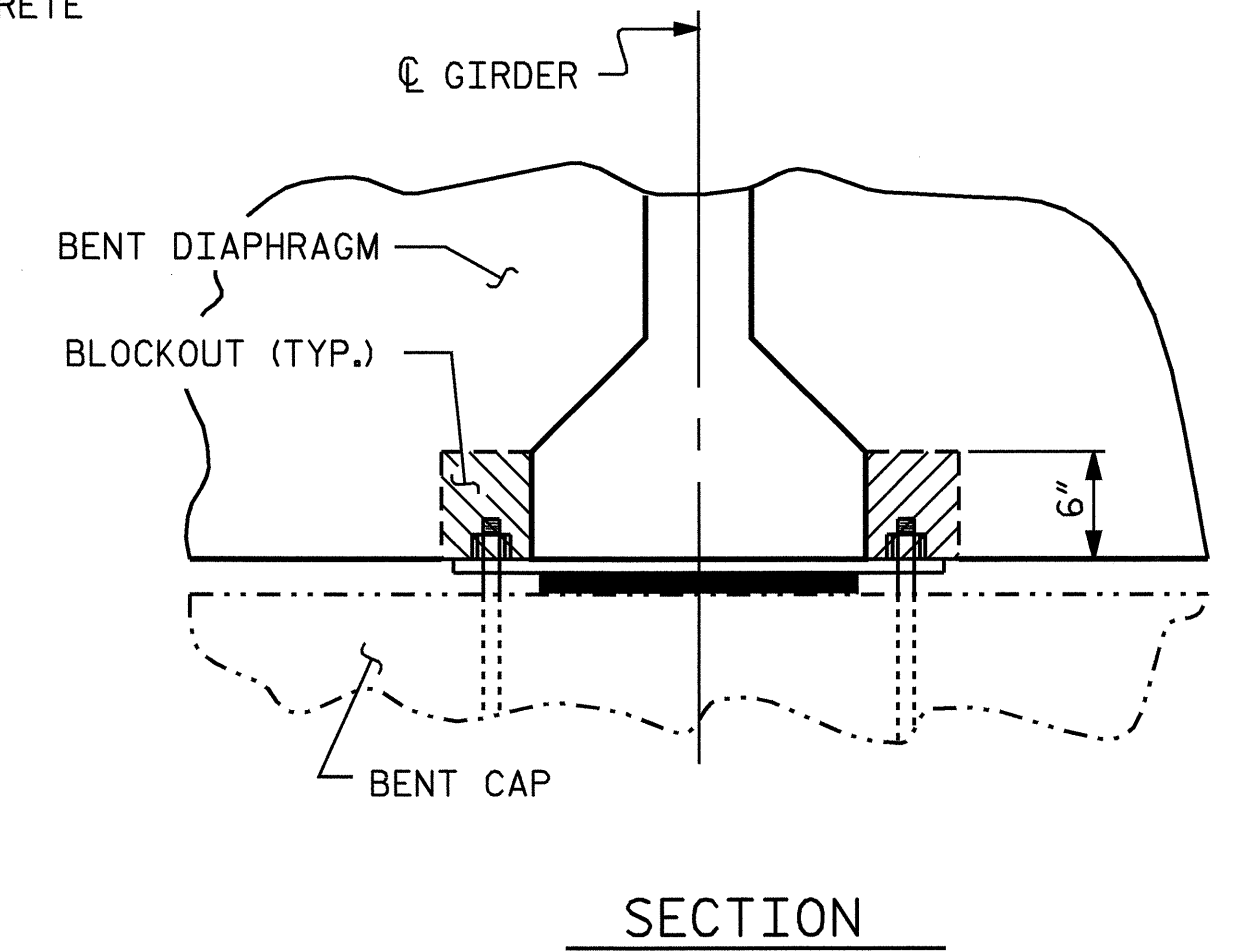


**SECTION THRU  
END BENT DIAPHRAGMS**

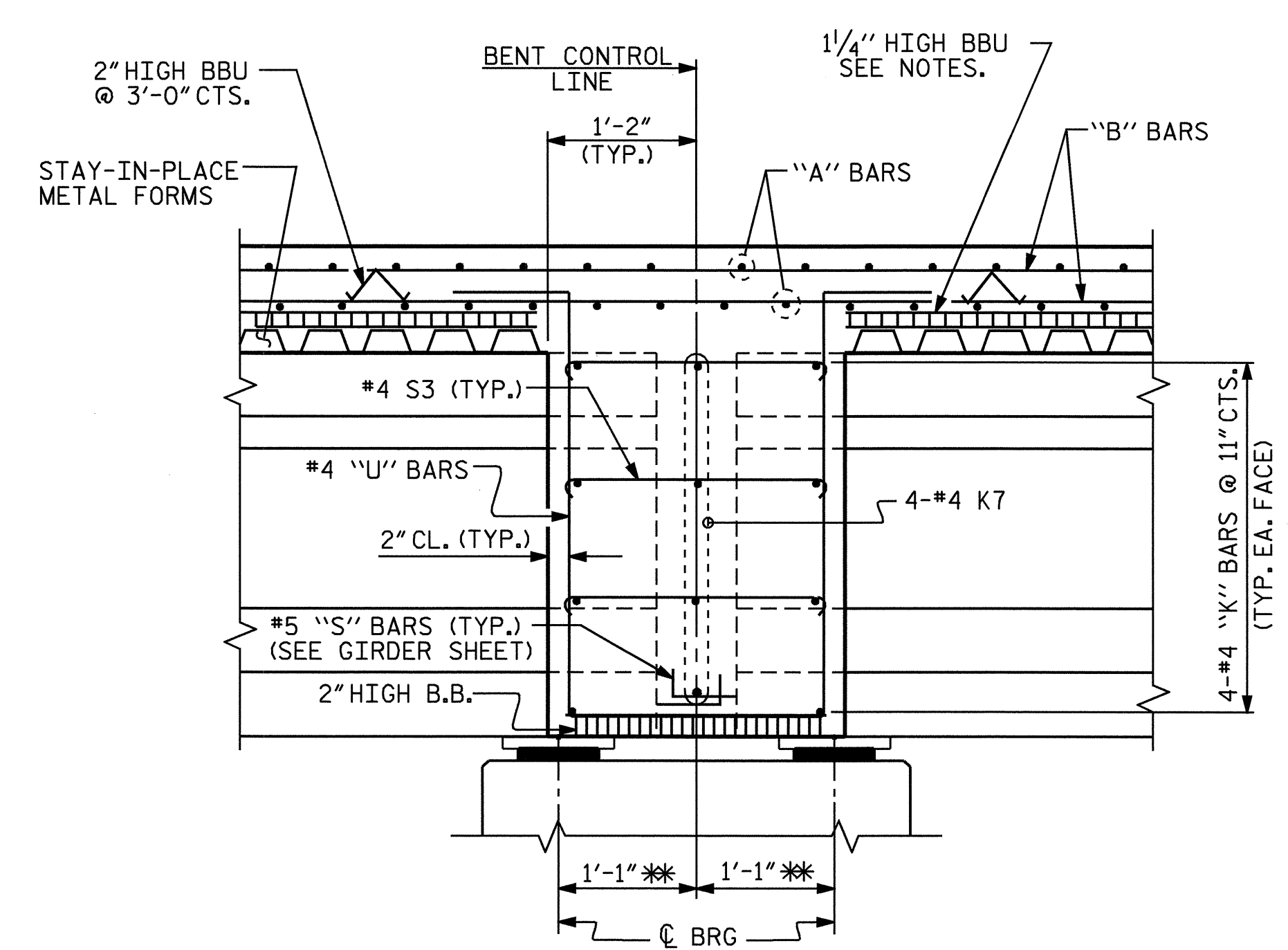
NOTE: #5 G1 BAR MAY BE SHIFTED SLIGHTLY, AS NECESSARY,  
TO CLEAR REINFORCING STEEL AND STIRRUPS.



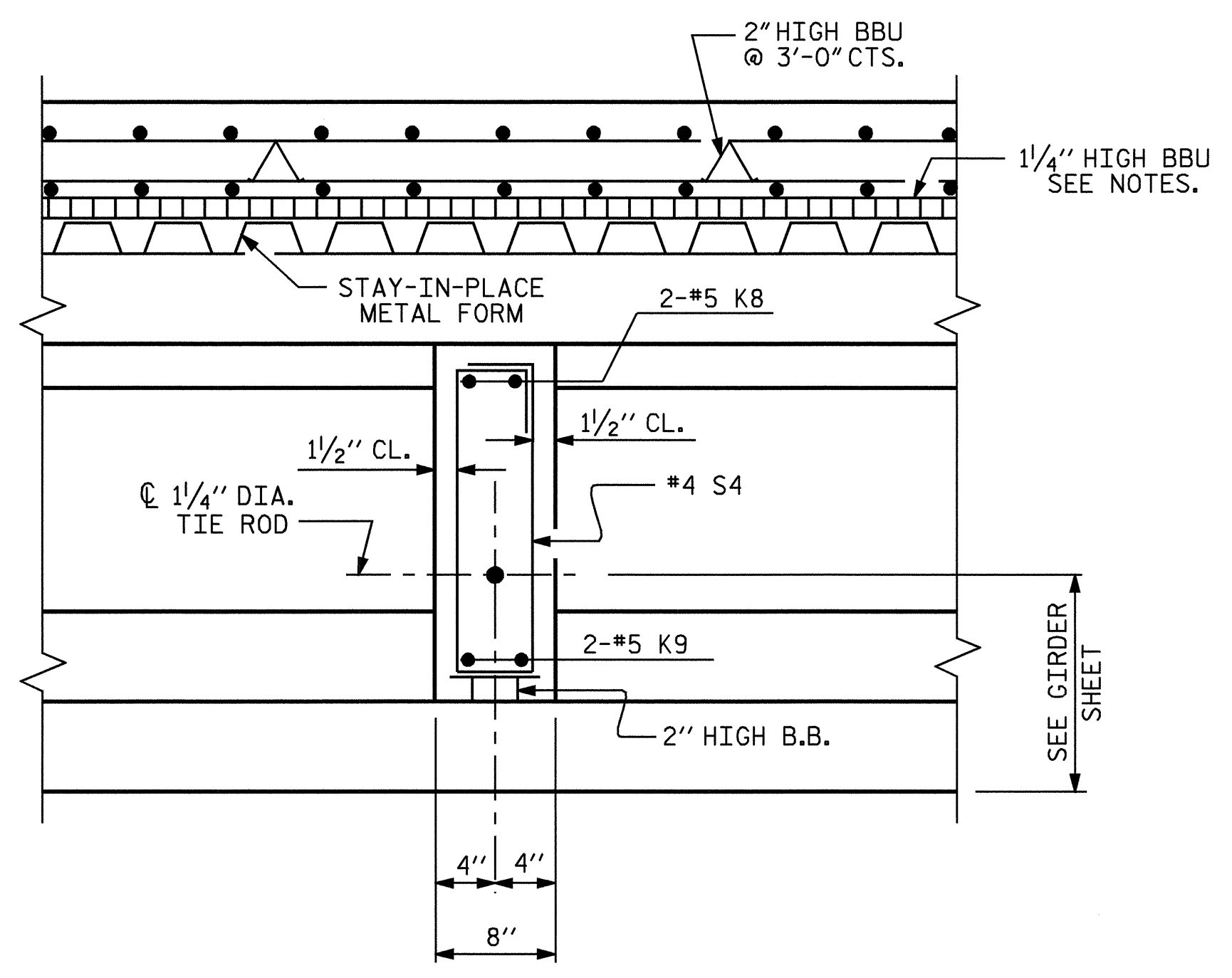
**BENT DIAPHRAGM BLOCKOUT DETAIL**



**SECTION**



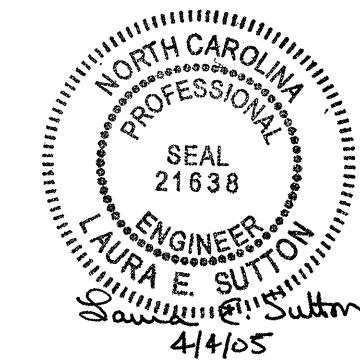
**SECTION THRU  
BENT DIAPHRAGMS**  
\* ALONG CL. GIRDER



**SECTION THRU  
INTERMEDIATE DIAPHRAGMS**

PROJECT NO. B-3467  
HALIFAX COUNTY  
STATION: 31+50.00 -L-  
SHEET 2 OF 2

STATE OF NORTH CAROLINA DEPARTMENT OF TRANSPORTATION RALEIGH					
SUPERSTRUCTURE TYPICAL SECTION DETAILS					
REVISIONS					
NO.	BY:	DATE:	NO.	BY:	DATE:
1			3		
2			4		
					SHEET NO. S-37 TOTAL SHEETS 60



DRAWN BY: J.L. WALTON DATE: 4-22-03  
CHECKED BY: B.N. BARODAWALA DATE: 6-5-03

04-APR-2005 09:07  
S:\P66\Squadd\B3467.v8\str2\jwalton\B3467\_sd.TS.02.dgn  
lsutton

STR. #2