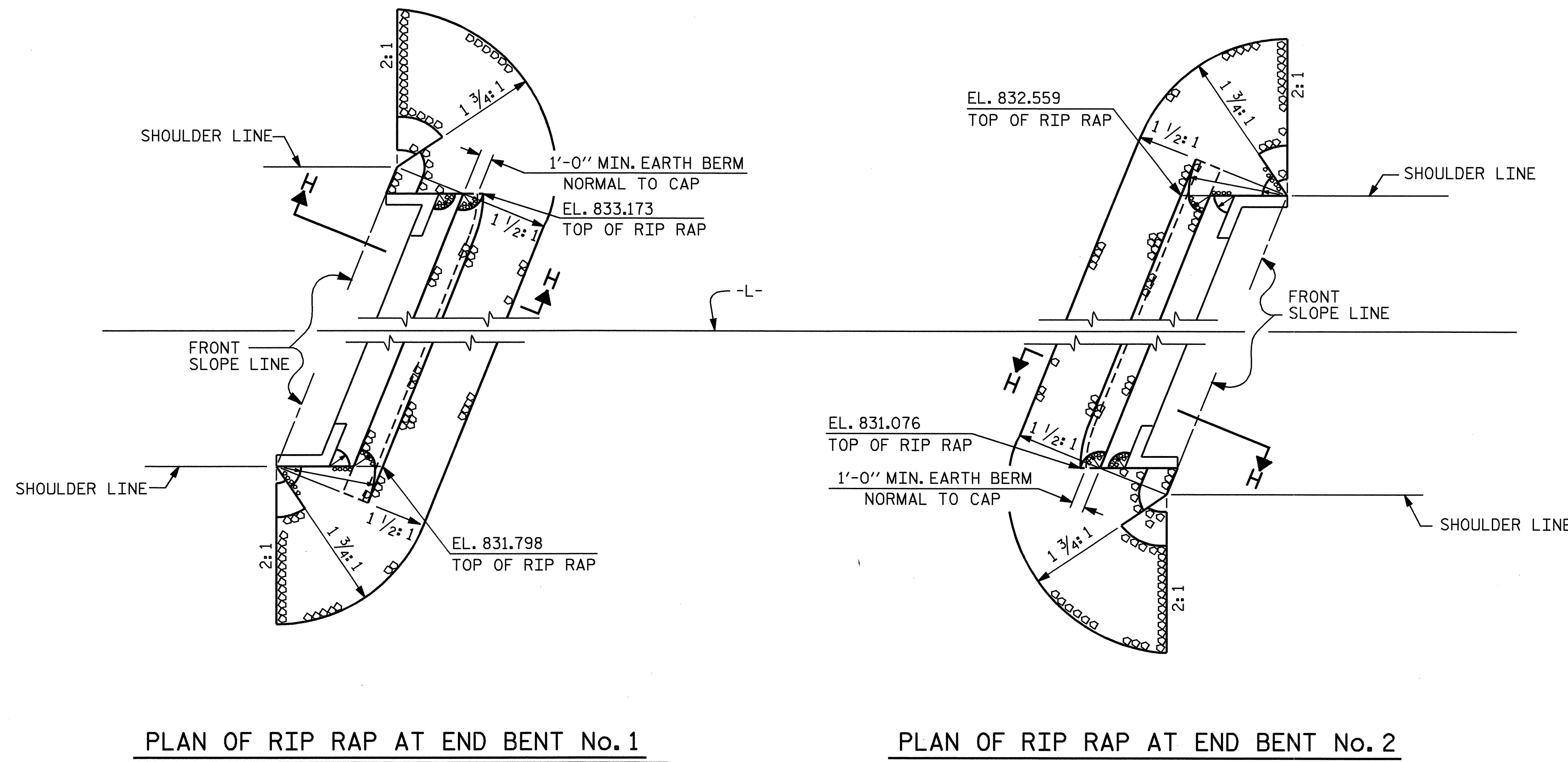
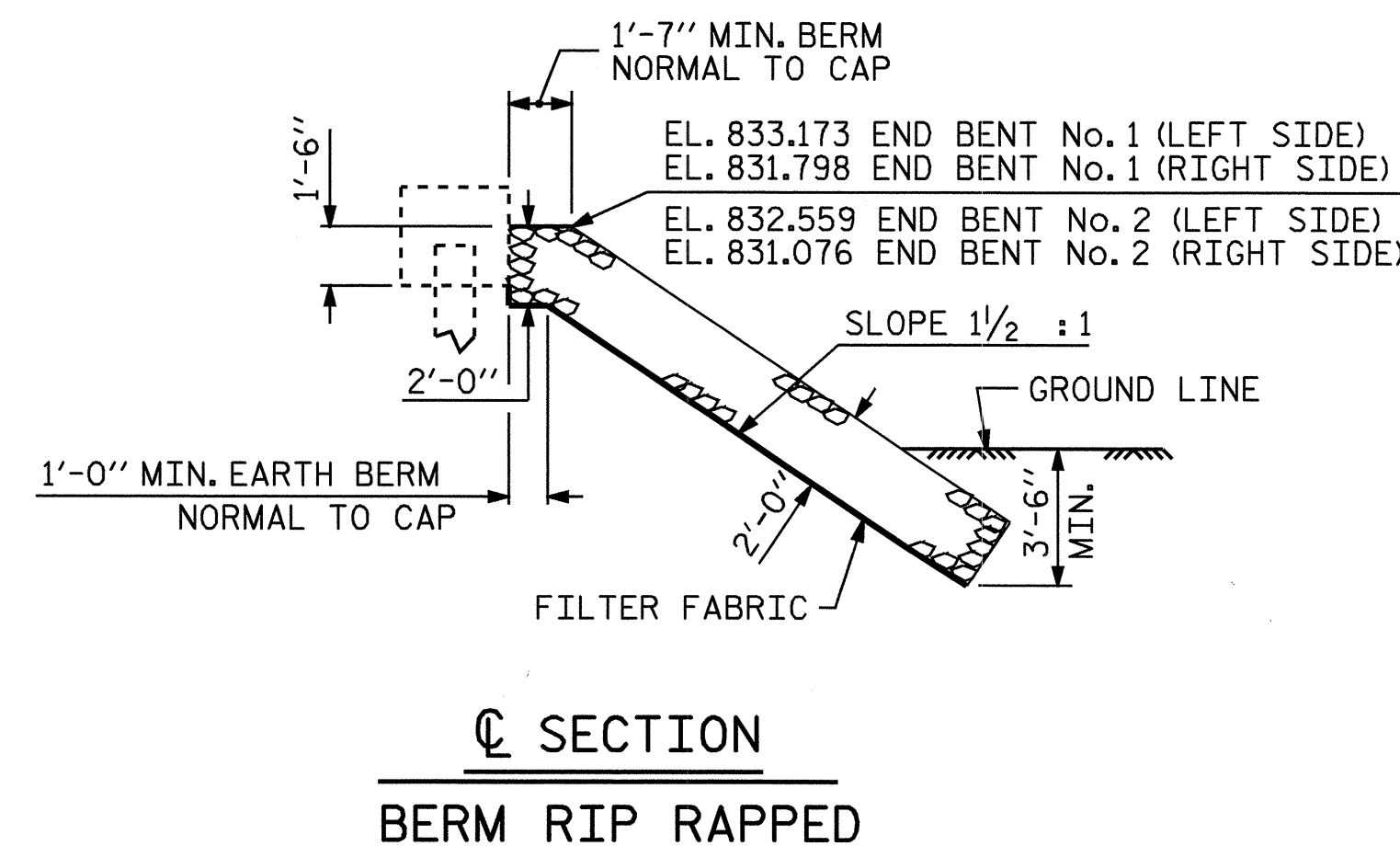
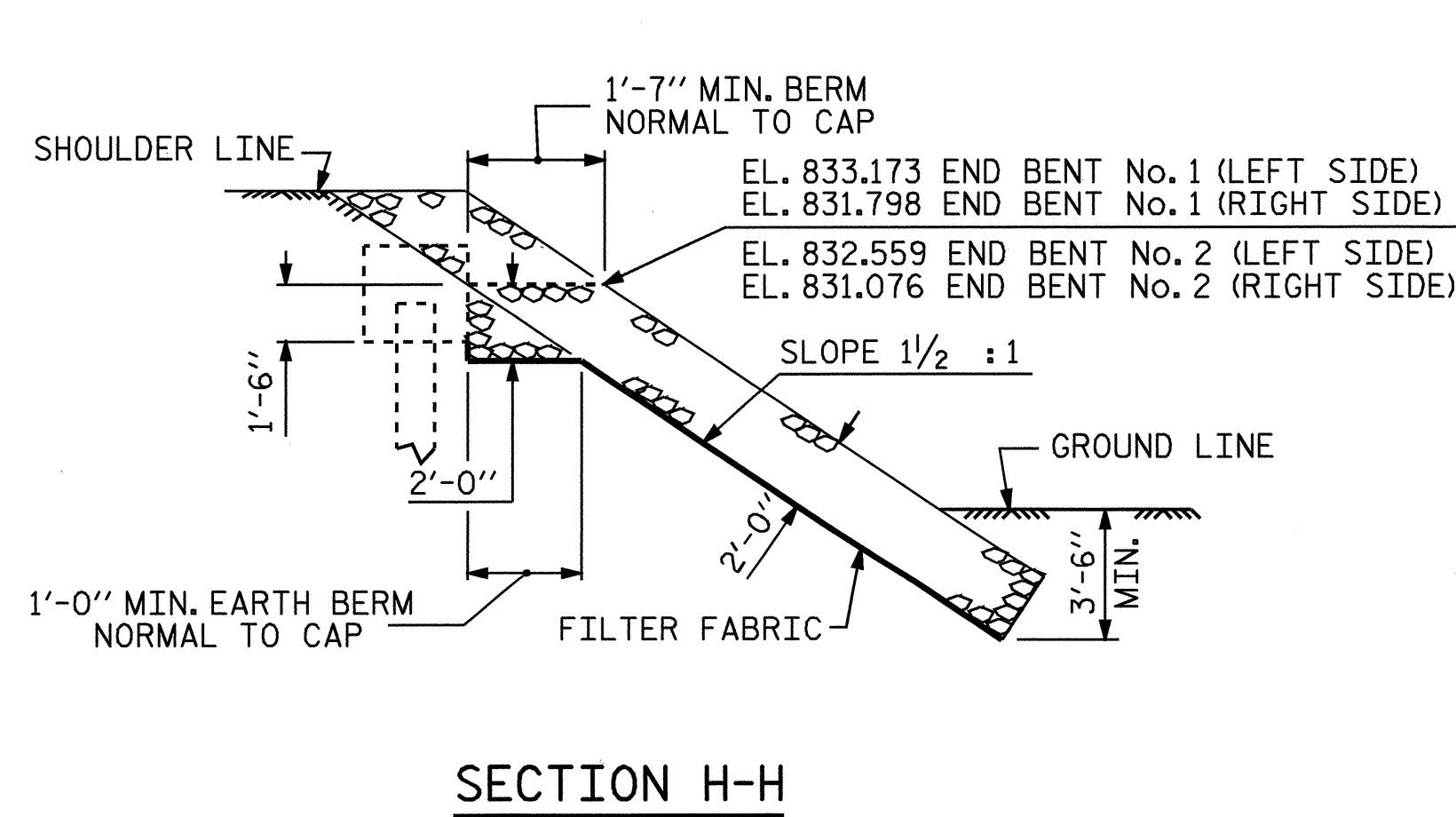


NOTES :
 FOR BERM WIDTH DIMENSIONS, SEE GENERAL DRAWING.
 THE COST OF THE FILTER FABRIC SHALL BE INCLUDED
 IN THE CONTRACT PRICE BID FOR PLAIN RIP RAP
 CLASS II.



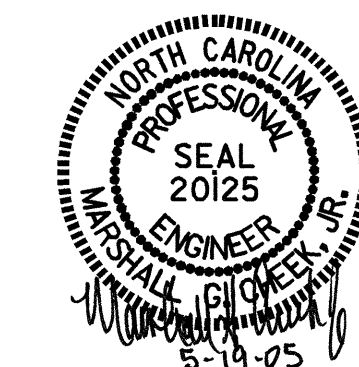
ESTIMATED QUANTITIES		
BRIDGE @ STA. 19+64.00 -L-	PLAIN RIP RAP CLASS II	FILTER FABRIC FOR DRAINAGE
	TONS	SQUARE YARDS
END BENT 1	70	78
END BENT 2	60	65



PROJECT NO. B-3839
FORSYTH COUNTY
 STATION: 19+64.00 -L-

STATE OF NORTH CAROLINA
 DEPARTMENT OF TRANSPORTATION
 RALEIGH
 STANDARD
 —RIP RAP DETAILS—

REVISIONS						SHEET NO.
NO.	BY:	DATE:	NO.	BY:	DATE:	TOTAL SHEETS
1			3			16
2			4			



ASSEMBLED BY : D. HODGE DATE : 3/05
 CHECKED BY : W.J. HARRIS DATE : 4/05
 DRAWN BY : REK 1/84 REV. 7/17/98 REK/RWW
 CHECKED BY : RDU 1/84 REV. 8/16/99 RWW/LES
 REV. 10/17/00 RWW/LES

19-MAY-2005 09:33
 RA\STRUCT\B3839\dhodge\B3839.sd.RR.dgn
 dahodge

SKEW > 90°

STD. NO. RR3