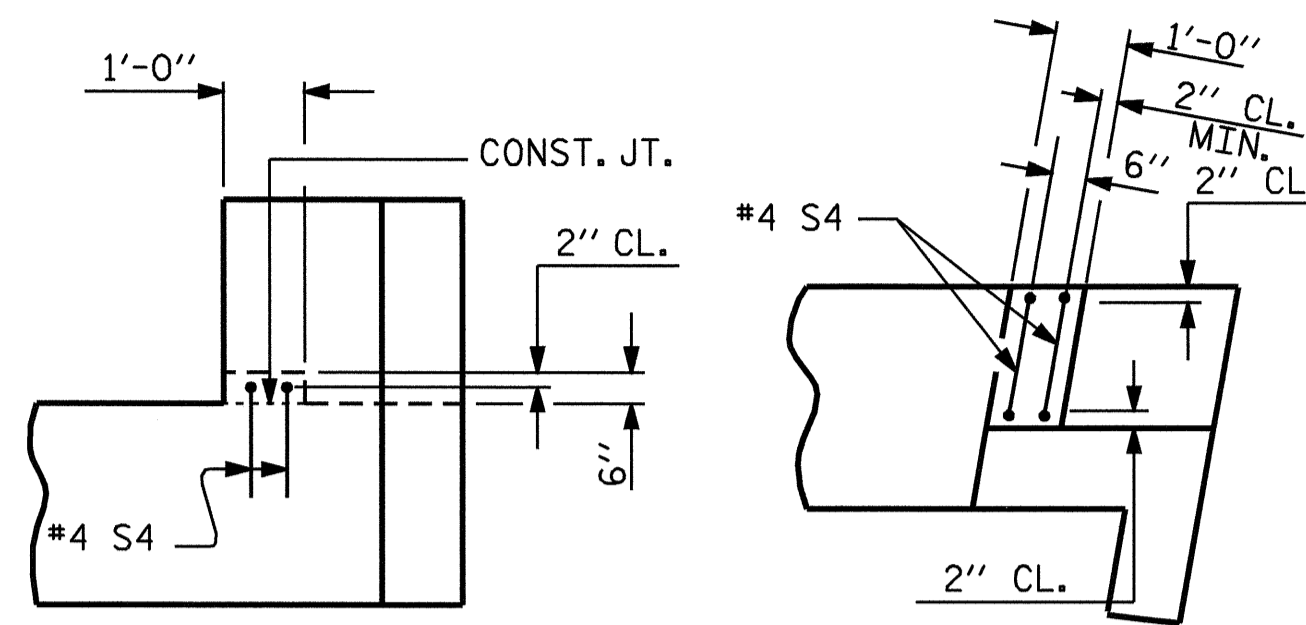
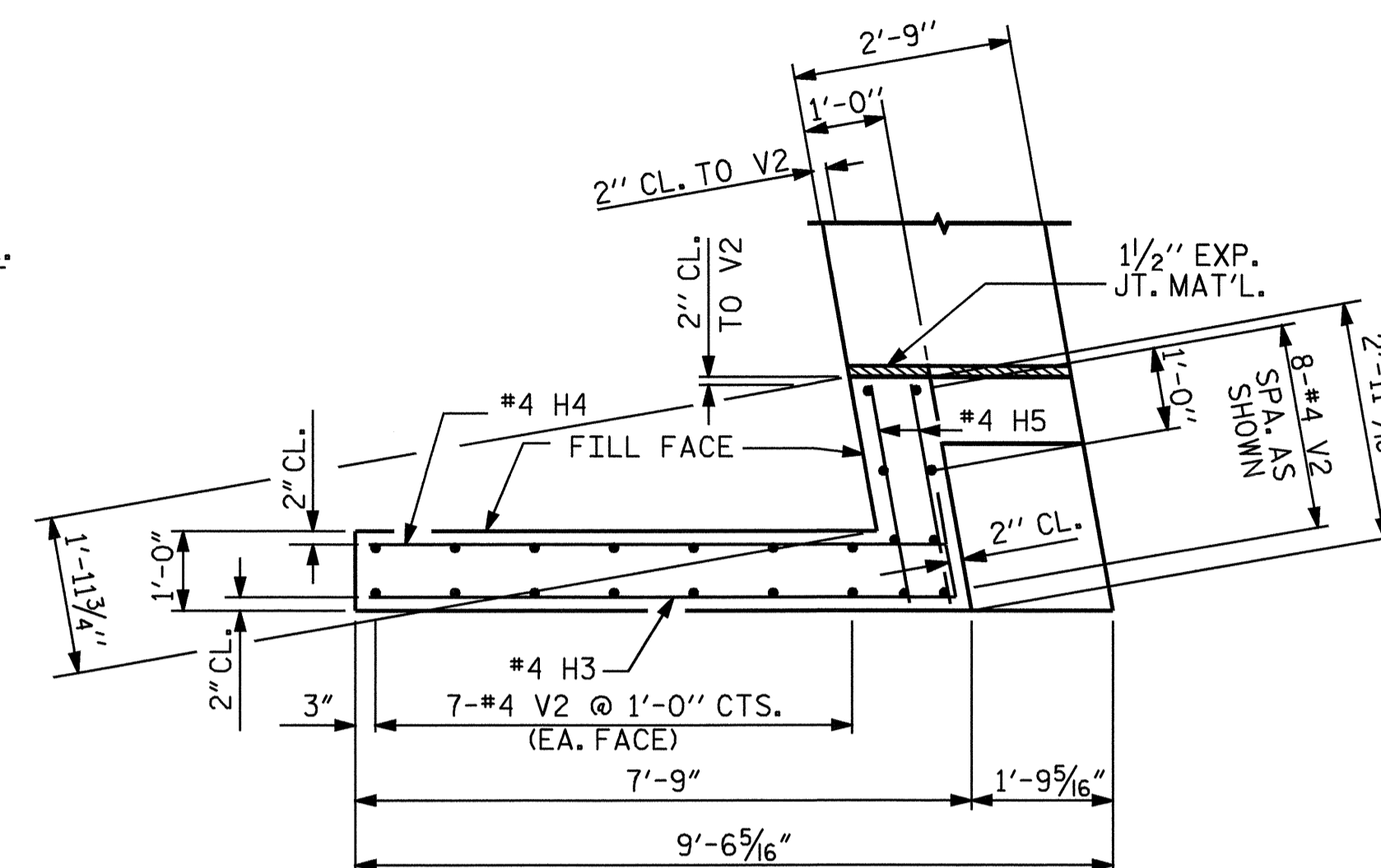


PLAN OF WING - W1

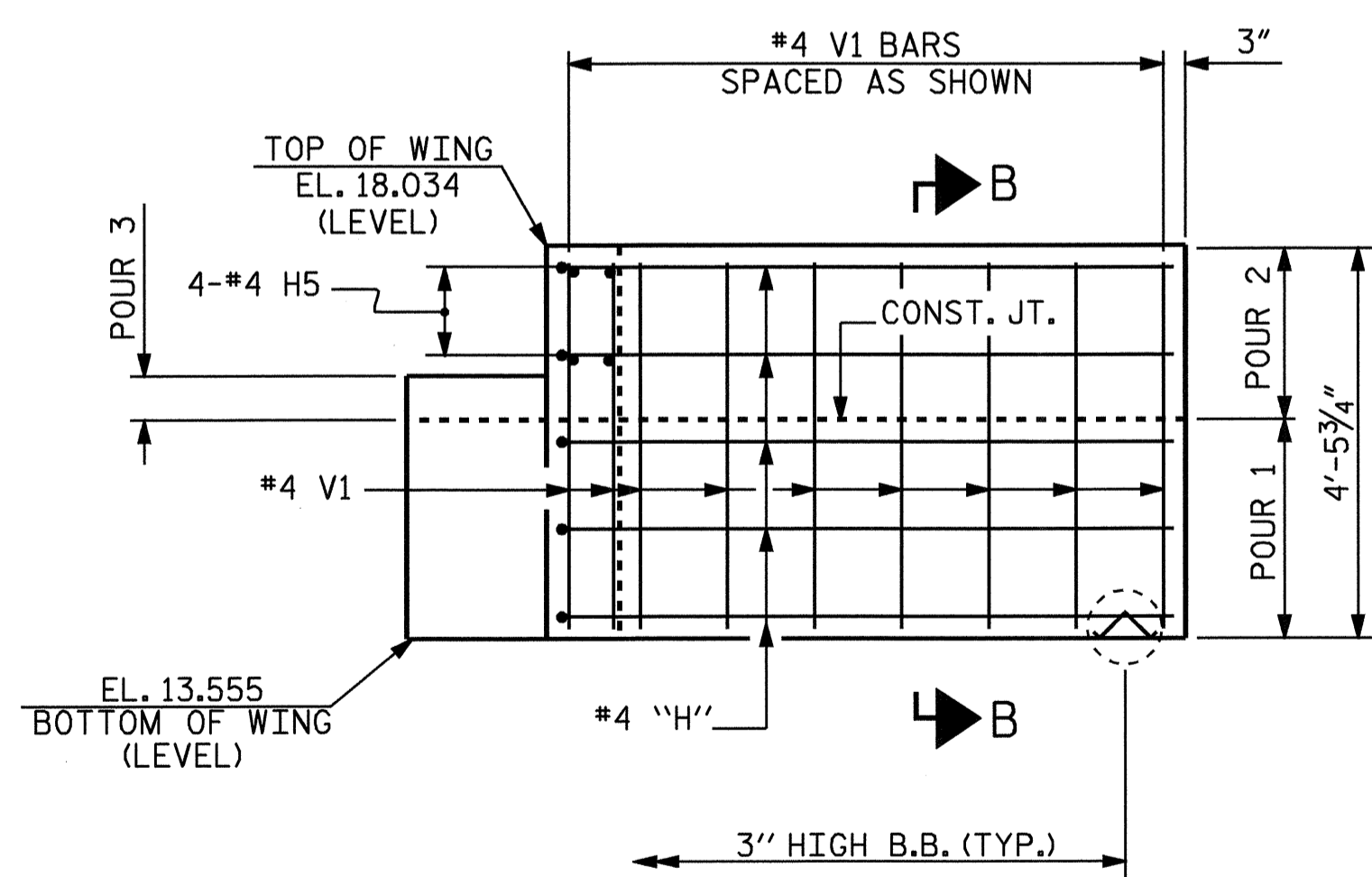


ELEVATION PLAN

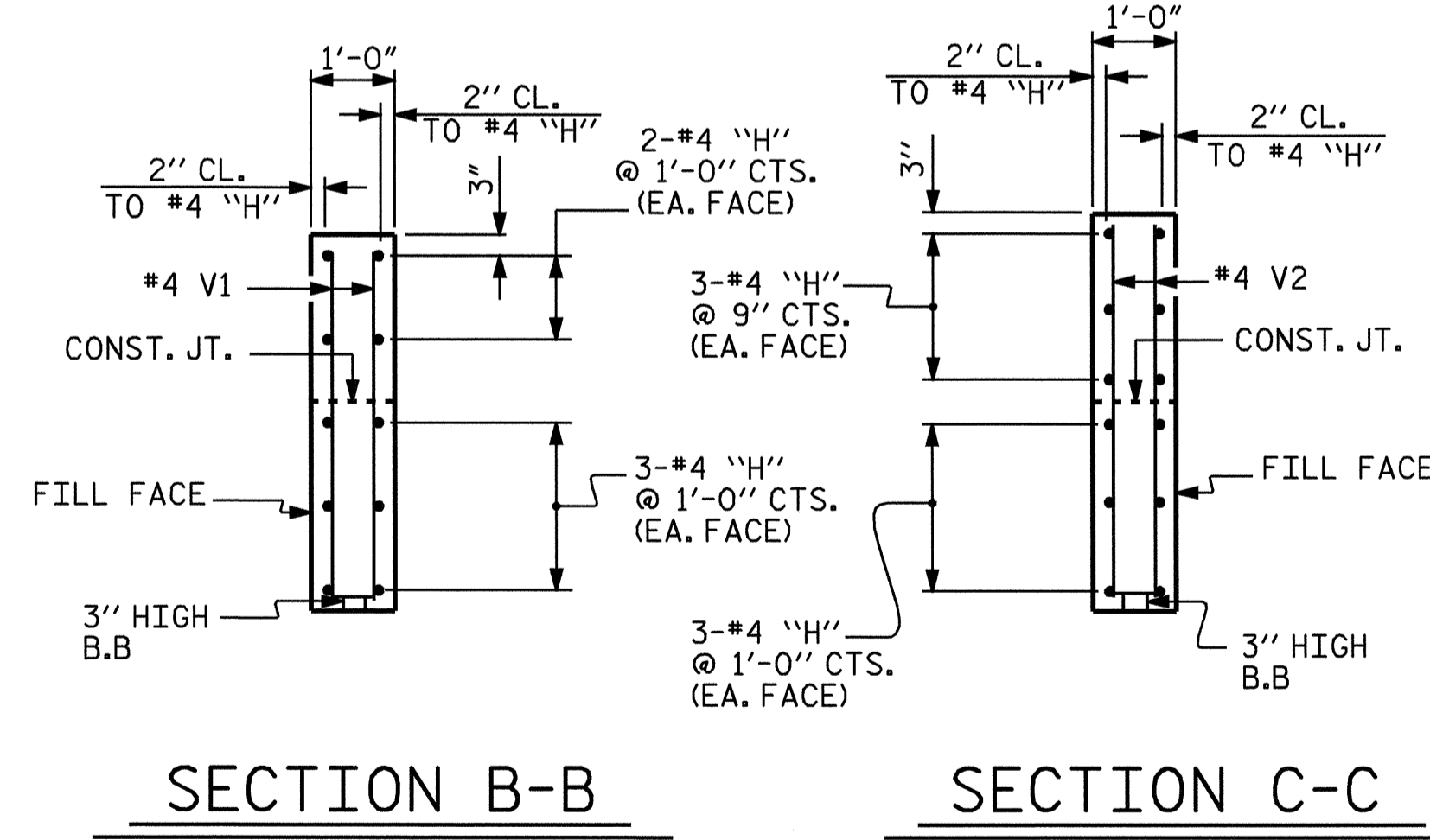
LATERAL GUIDE DETAILS



PLAN OF WING - W2

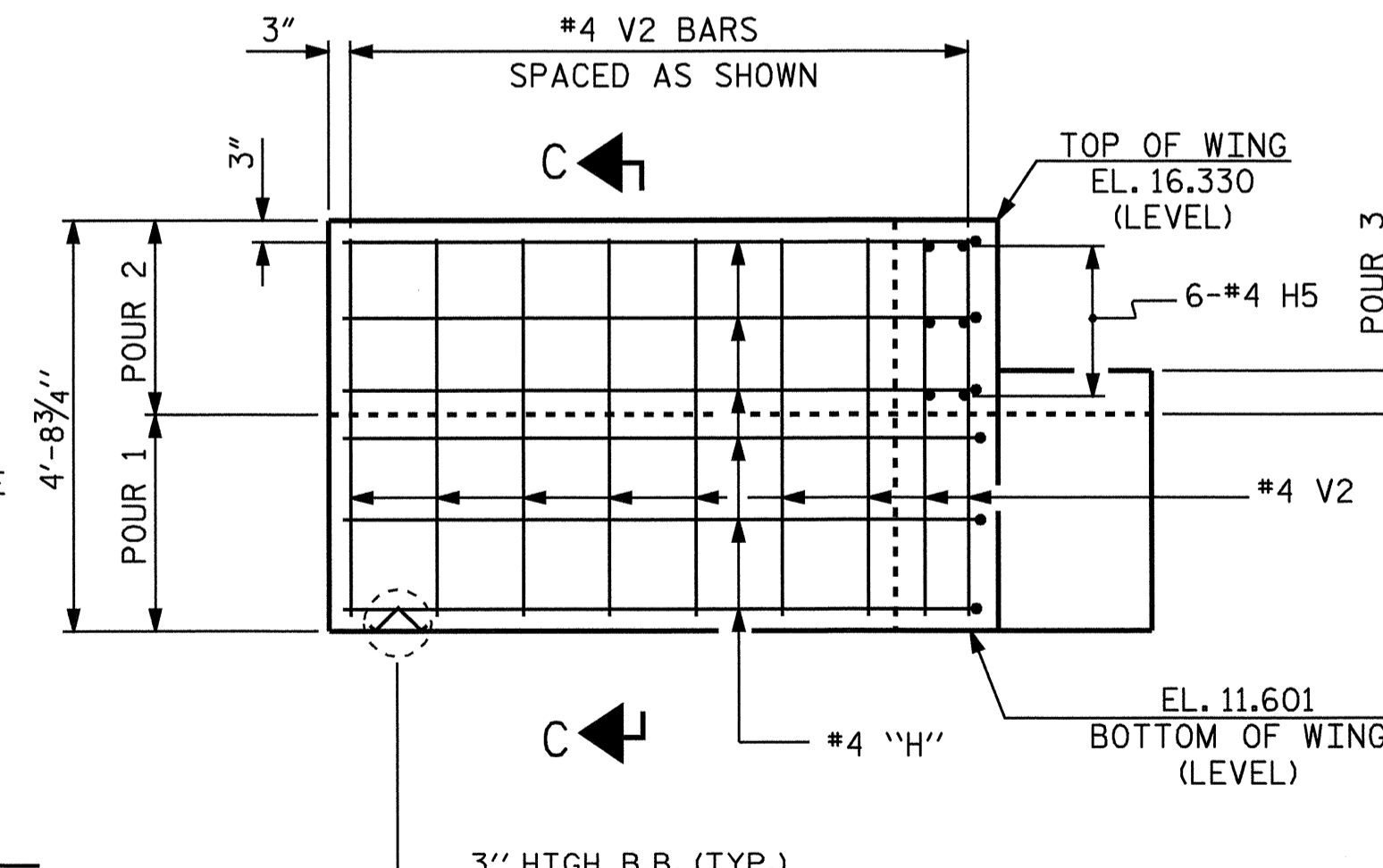


ELEVATION OF WING - W1



SECTION B-B

SECTION C-C



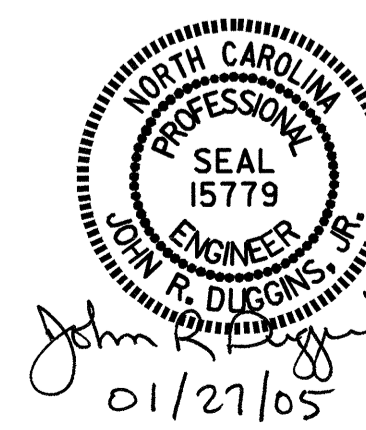
ELEVATION OF WING - W2

PROJECT NO. B-3887
 PENDER COUNTY
 STATION: 15+64.50 -L-

SHEET 2 OF 3

STATE OF NORTH CAROLINA
 DEPARTMENT OF TRANSPORTATION
 RALEIGH

SUBSTRUCTURE
 END BENT 1



DRAWN BY: M POOLE DATE: 03-04
 CHECKED BY: J. LAMBERT DATE: 04-04

26-JAN-2005 16:35
 W:\sdquadz\B3887\mpooler\microstation\B3887.sd.E1.01.dgn
 mpooler

REVISIONS						SHEET NO.
NO.	BY:	DATE:	NO.	BY:	DATE:	S-11
1			3			TOTAL SHEETS
2			4			23