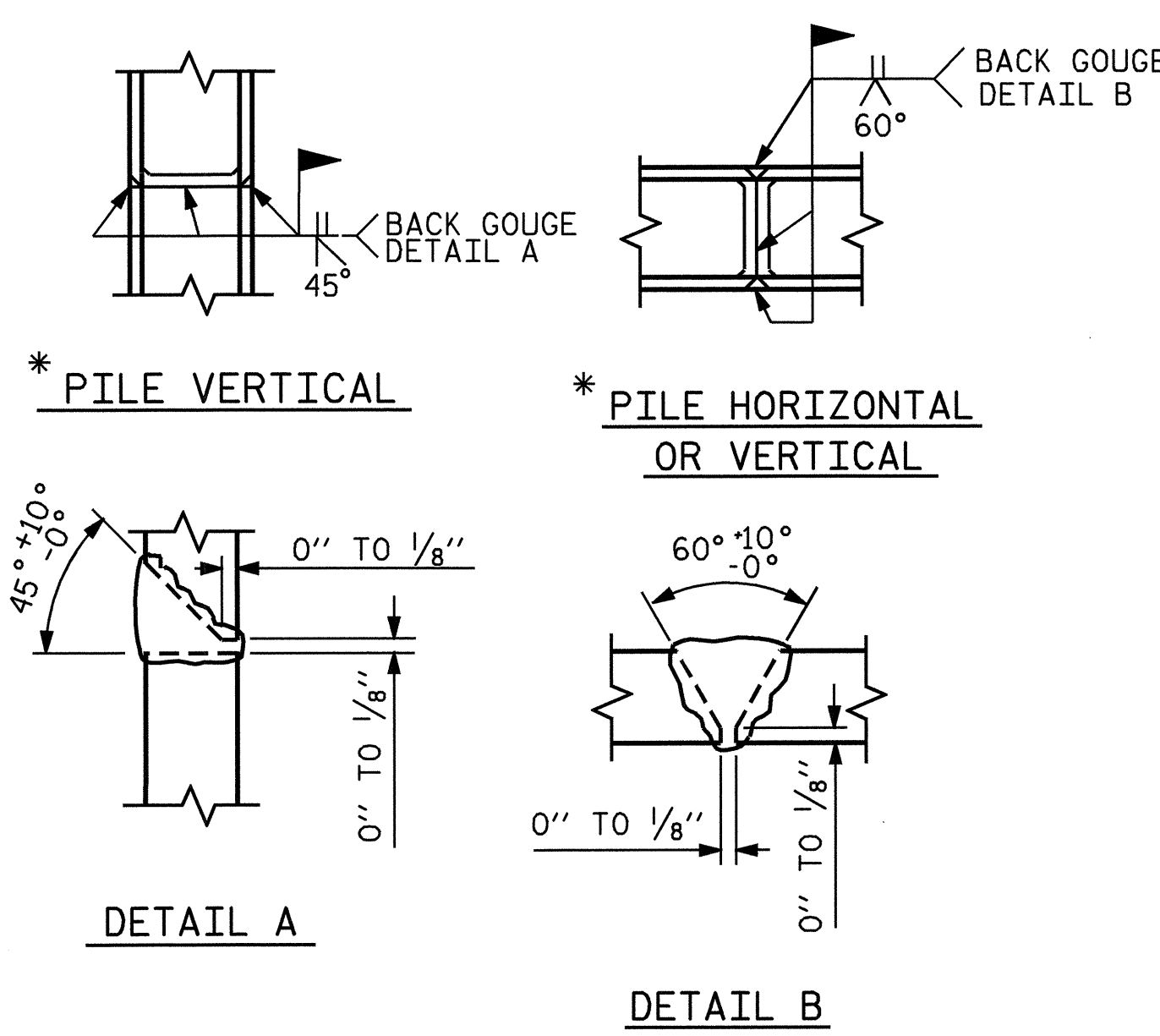
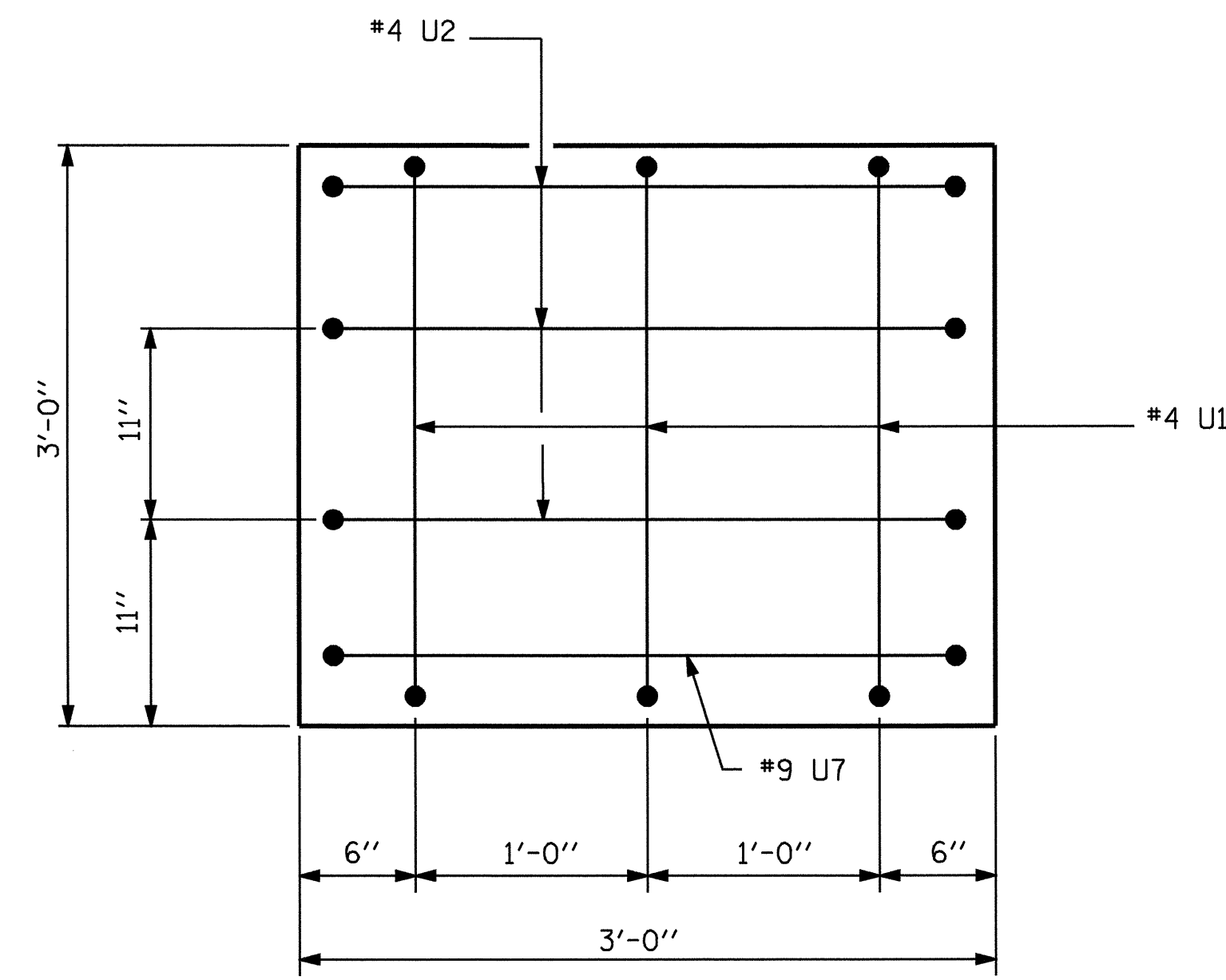


SECTION THRU CAP

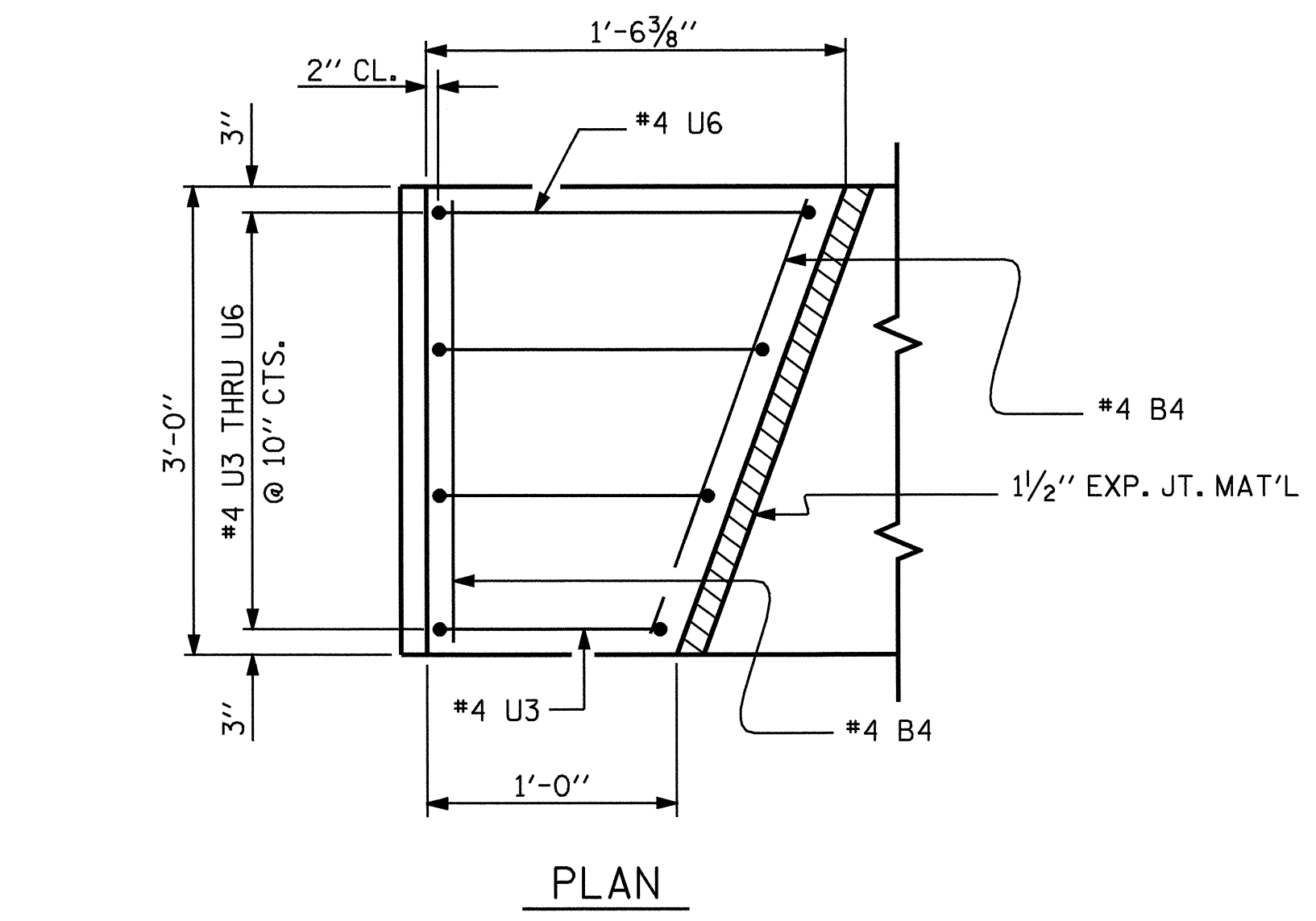


* POSITION OF PILE DURING WELDING.

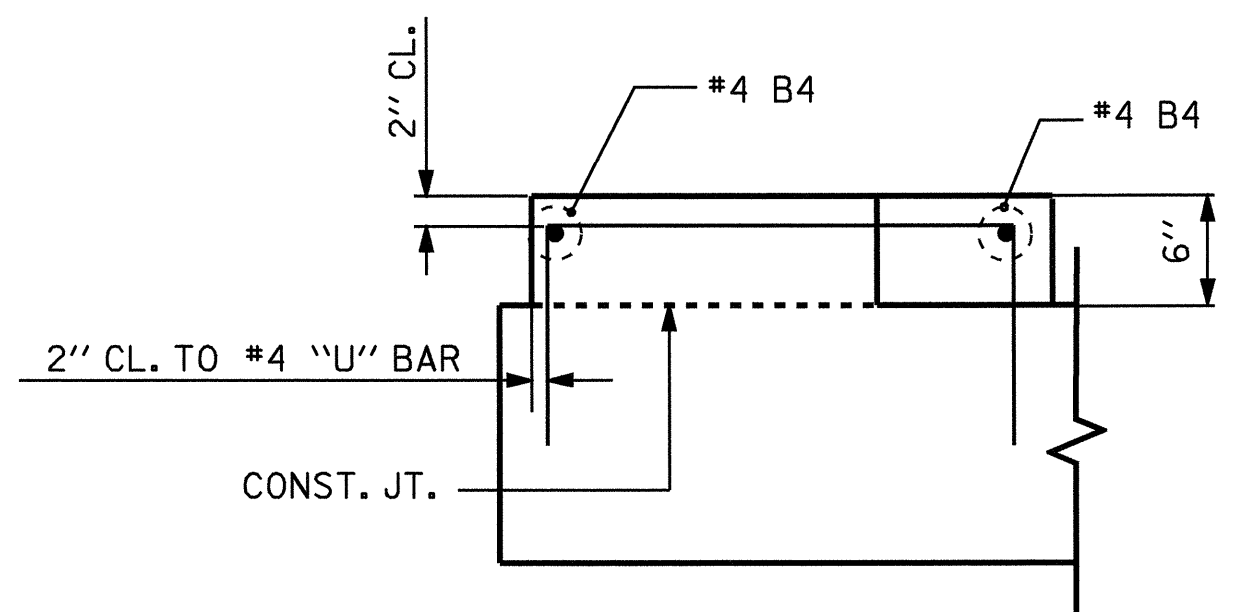
PILE SPLICE DETAILS



VIEW X-X
(TYP. EA. END)



PLAN

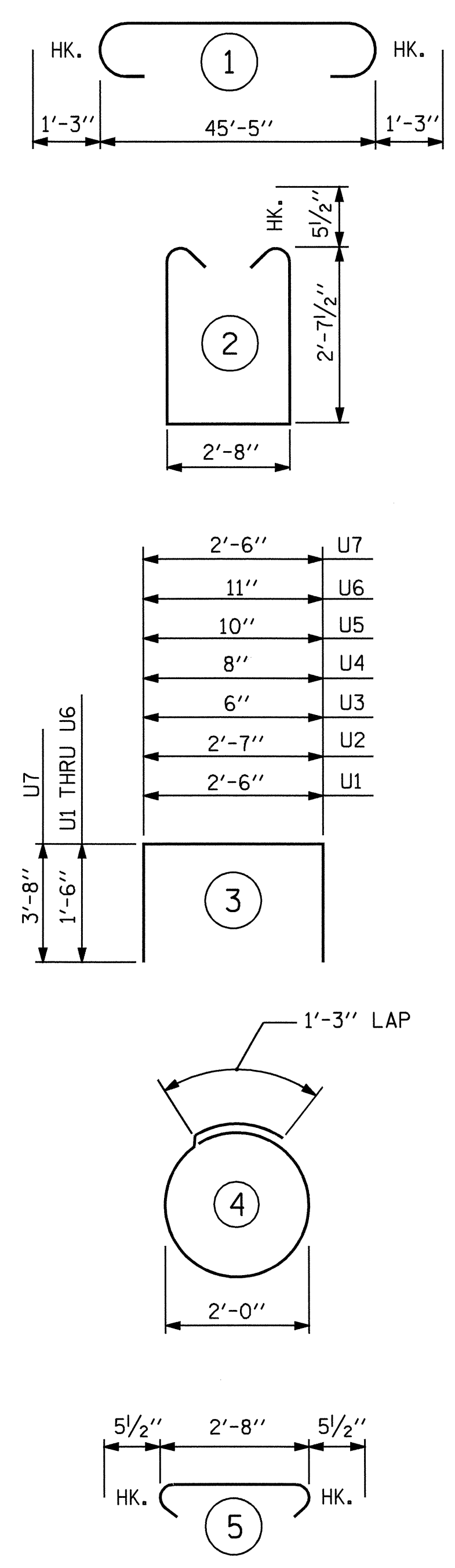


ELEVATION

LATERAL GUIDE DETAILS

(EACH END SIMILAR)

BAR TYPES



ALL BAR DIMENSIONS ARE OUT TO OUT.

BILL OF MATERIAL

BENT 2

BAR	NO.	SIZE	TYPE	LENGTH	WEIGHT
B1	4	9	STR	45'-5"	618
B2	4	9	1	47'-11"	652
B3	16	4	STR	23'-11"	256
B4	15	4	STR	2'-8"	27
D1	56	6	STR	1'-6"	126
S1	46	5	2	8'-10"	424
S2	46	5	5	3'-7"	172
S3	18	4	4	7'-7"	91
U1	6	4	3	5'-6"	22
U2	6	4	3	5'-7"	22
U3	2	4	3	3'-6"	5
U4	2	4	3	3'-8"	5
U5	2	4	3	3'-10"	5
U6	2	4	3	3'-11"	5
U7	2	9	3	9'-10"	67

REINFORCING STEEL LBS. 2497

CLASS "A" CONCRETE
POUR 1 CAP 15.2 C.Y.
POUR 2 LATERAL GUIDE 0.2 C.Y.
TOTAL 15.4 C.Y.

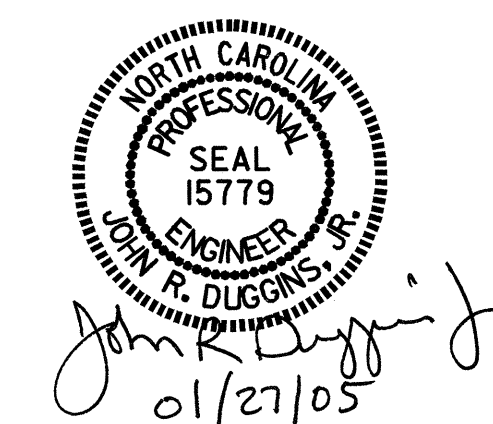
HP 14 X 73 GALVANIZED STEEL PILES
NO. 9 360 LIN. FT.

PROJECT NO. B-3887
PENDER COUNTY
STATION: 15+64.50 -L-

SHEET 2 OF 2

STATE OF NORTH CAROLINA
DEPARTMENT OF TRANSPORTATION
RALEIGH

SUBSTRUCTURE
BENT 2



REVISIONS				SHEET NO.
NO.	BY:	DATE:	NO.	DATE:
1			3	
2			4	