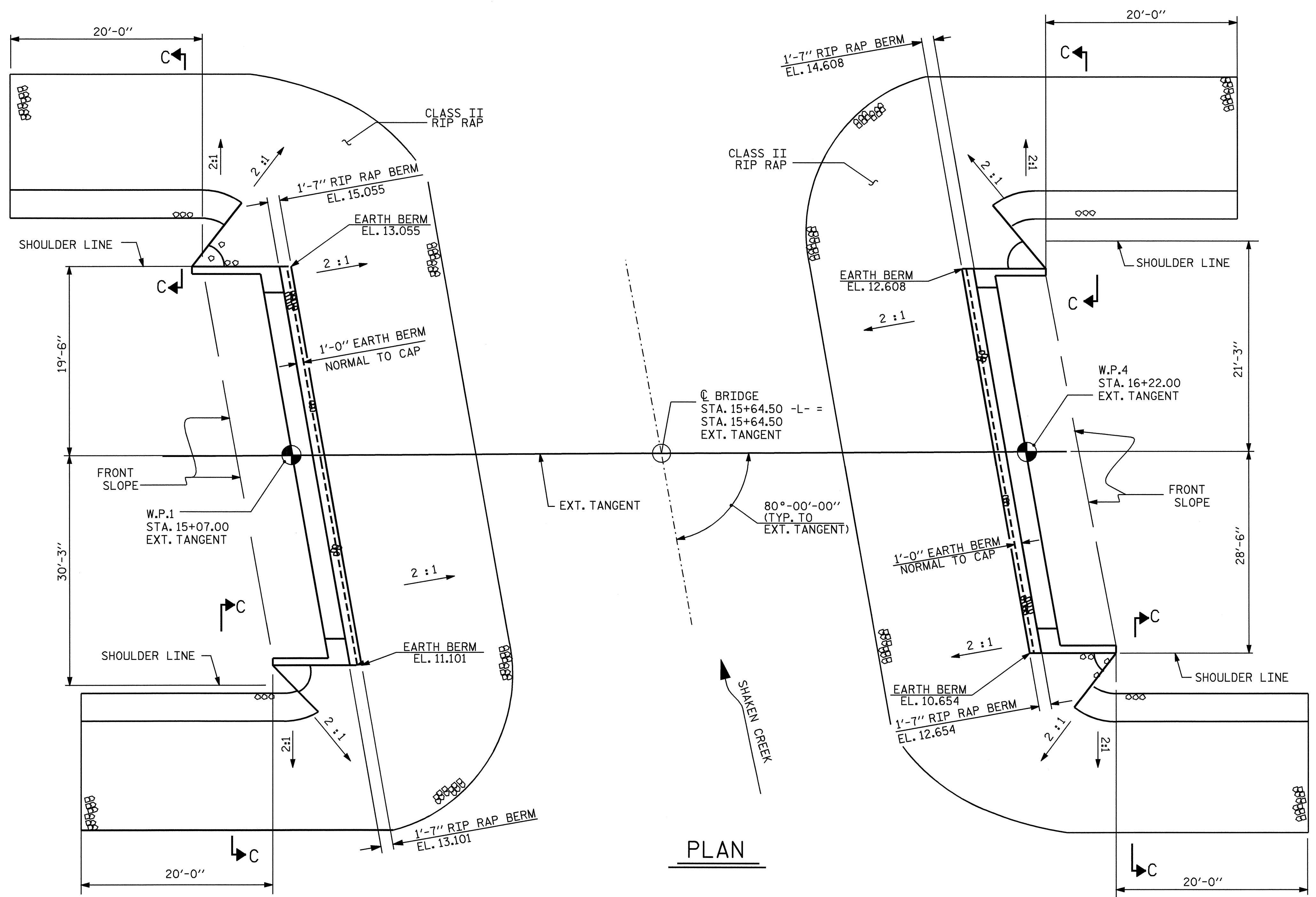
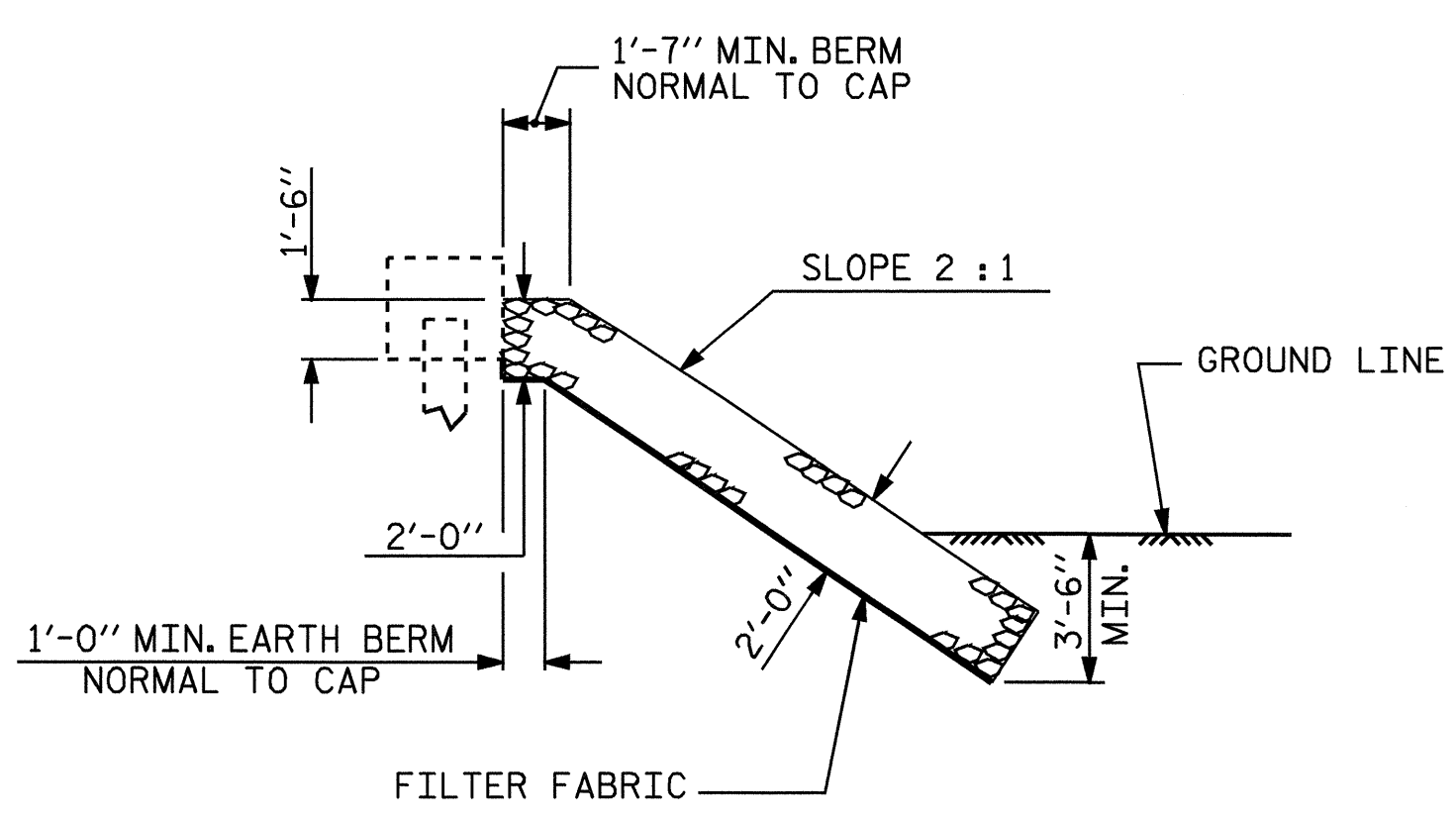


NOTES :
FOR BERM WIDTH DIMENSIONS, SEE GENERAL DRAWING.
THE COST OF THE FILTER FABRIC SHALL BE INCLUDED IN THE CONTRACT PRICE BID FOR PLAIN RIP RAP CLASS II.

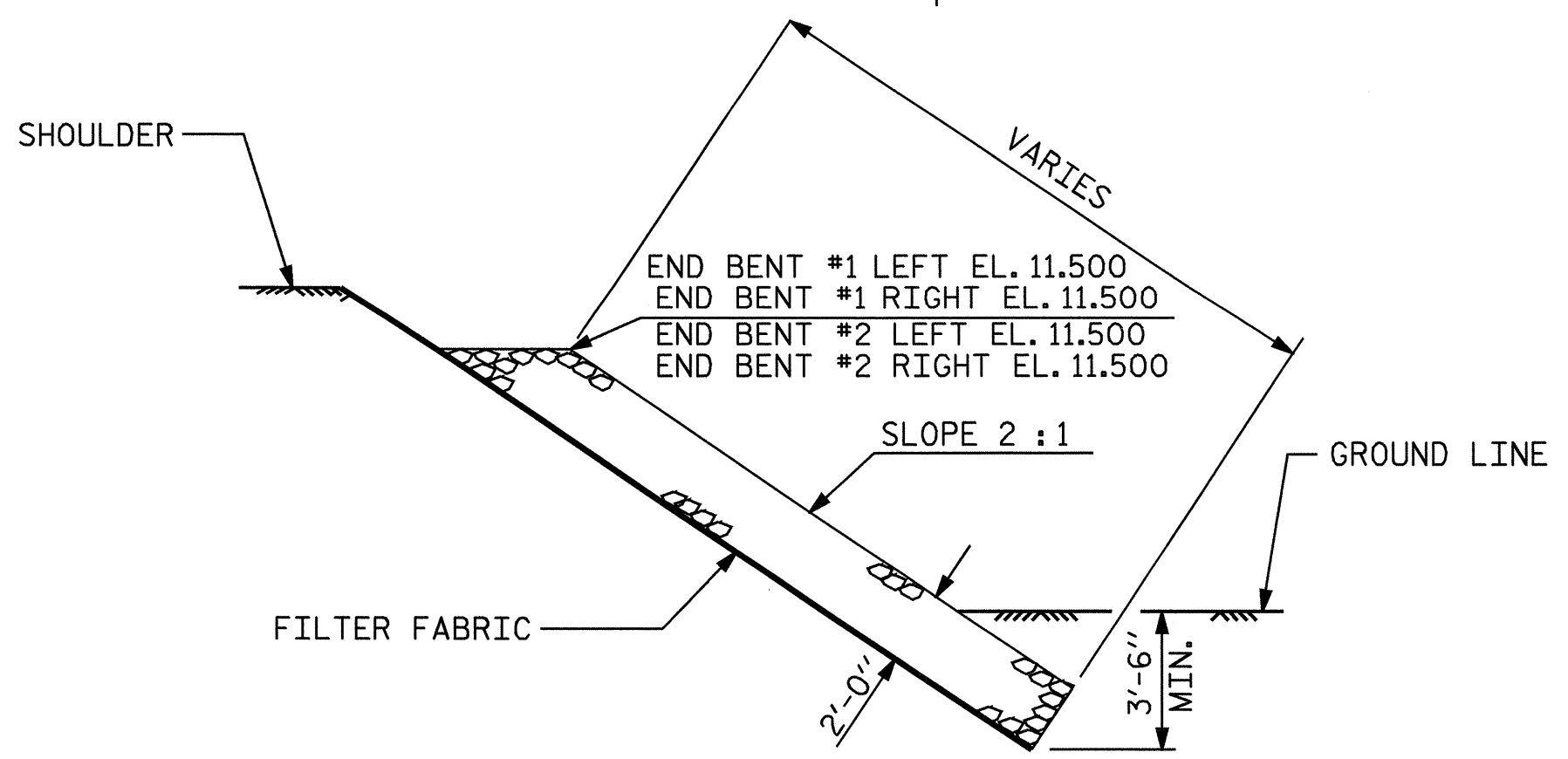
ESTIMATED QUANTITIES		
BRIDGE @ STA. 15+64.50 -L-	PLAIN RIP RAP CLASS II	FILTER FABRIC FOR DRAINAGE
	TONS	SQUARE YARDS
END BENT 1	164	182
END BENT 2	155	172



PLAN

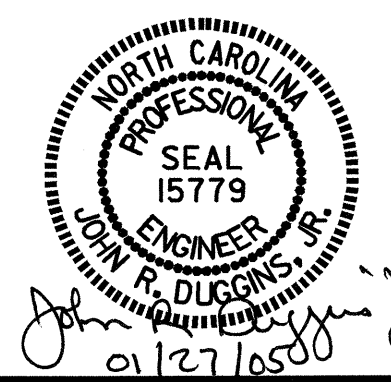


SECTION
BERM RIP RAPPED



SECTION C-C

ASSEMBLED BY : M. POOLE DATE : 5/2004
 CHECKED BY : J. R. DUGGINS DATE : 1/2005
 DRAWN BY : FCJ 2/88 REV. 7/17/98 REK/RWW
 CHECKED BY : ARB 8/88 REV. 8/16/99 RWW/LES
 REV. 10/17/00 RWW/LES



PROJECT NO. B-3887
PENDER COUNTY
 STATION: 15+64.50 -L-

REVISIONS					SHEET NO.
NO.	BY:	DATE:	NO.	BY:	DATE:
1			3		
2			4		

TOTAL SHEETS: 23