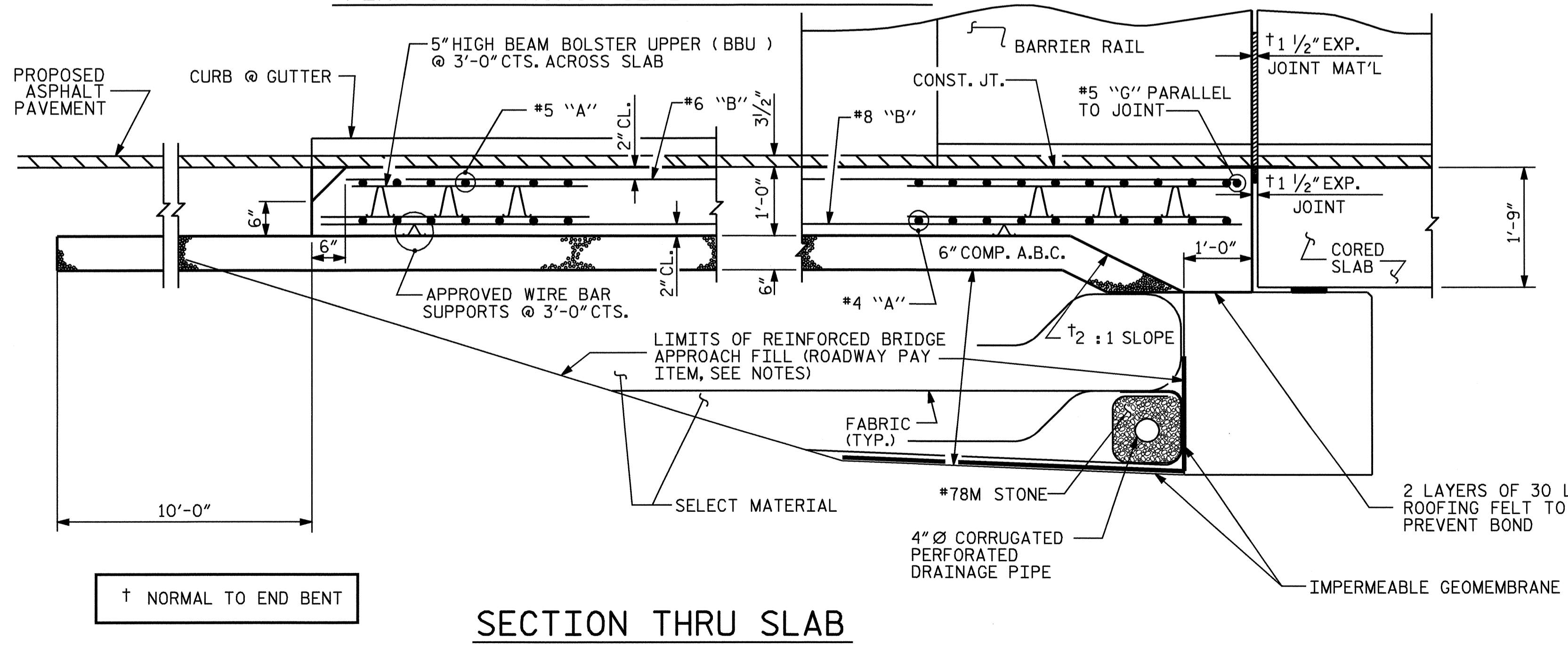
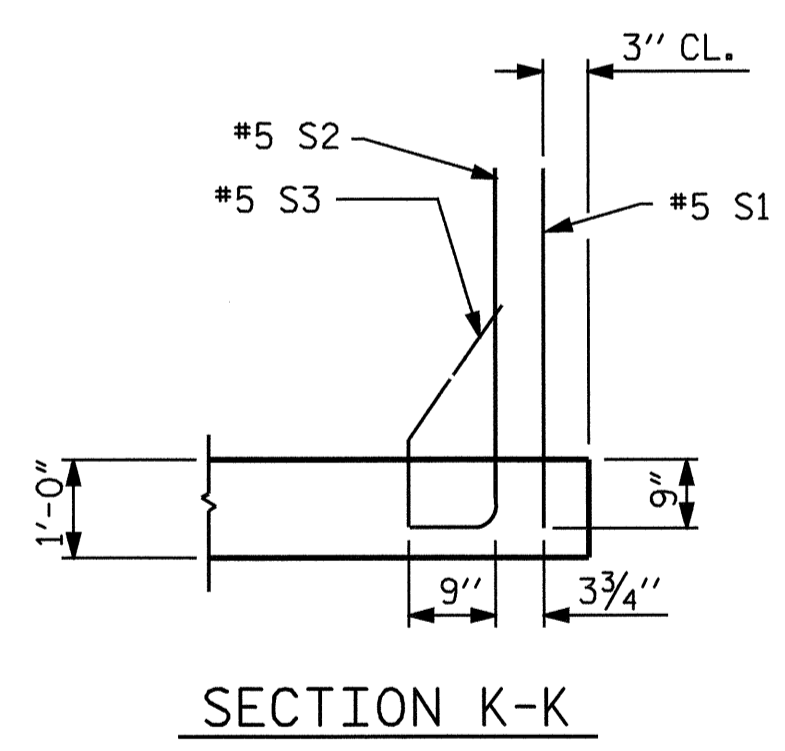


PLAN OF APPROACH SLAB AT END BENT #1

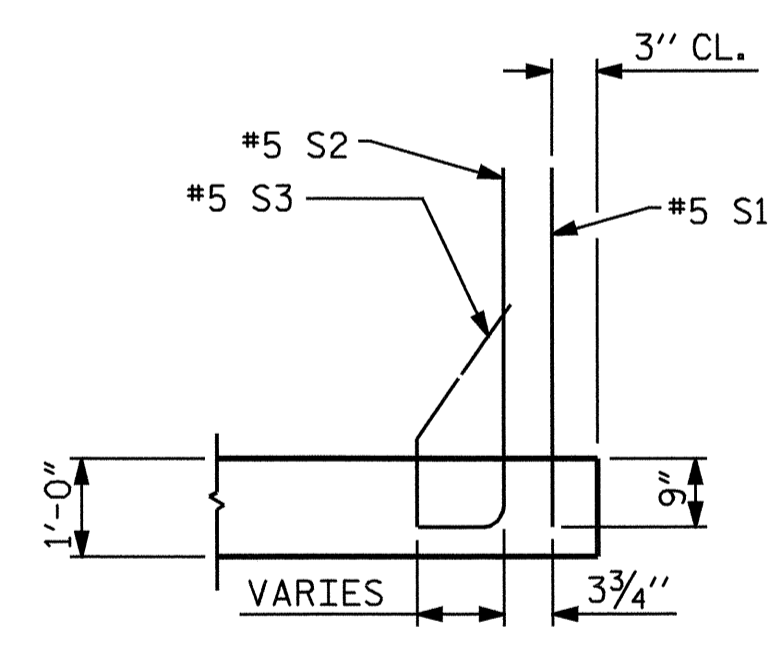
PLAN OF APPROACH SLAB AT END BENT #2



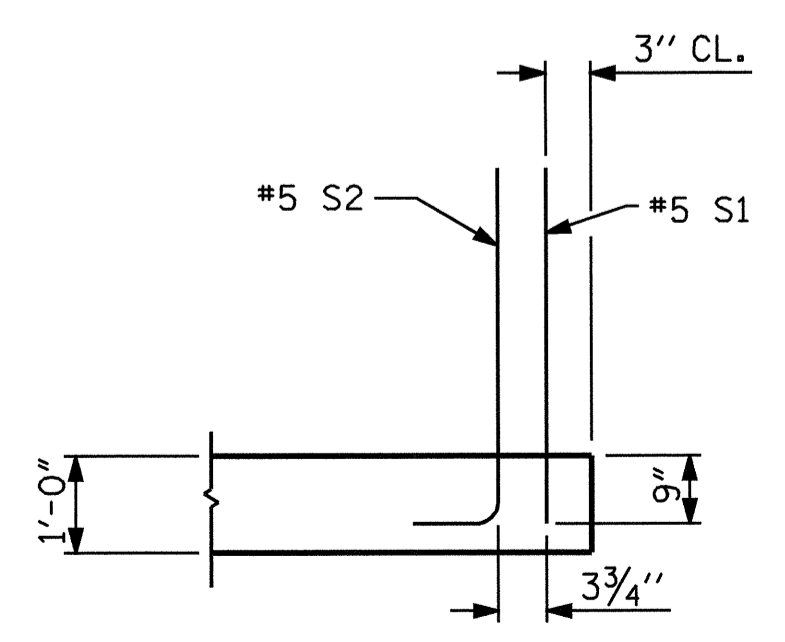
SECTION THRU SLAB



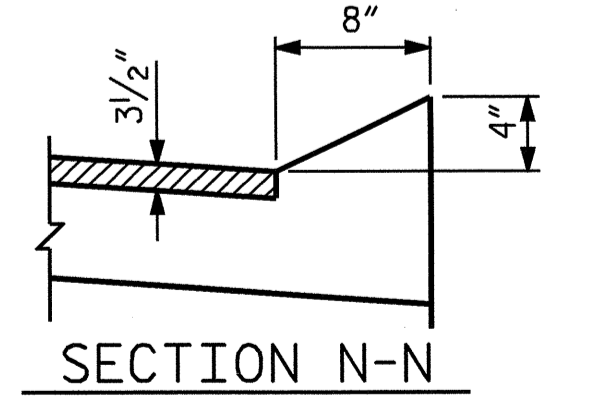
SECTION K-K



SECTION L-L



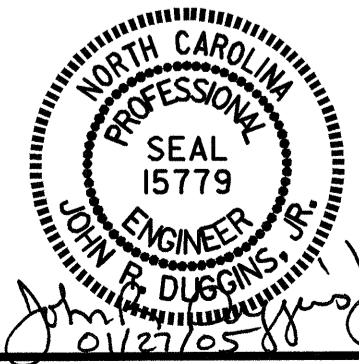
SECTION M-M



SECTION N-N

PROJECT NO. B-3887  
PENDER COUNTY  
 STATION: 15+64.50 -L-

SHEET 1 OF 3  
 STATE OF NORTH CAROLINA  
 DEPARTMENT OF TRANSPORTATION  
 RALEIGH  
 STANDARD  
 BRIDGE APPROACH SLAB  
 FOR PRESTRESSED CONCRETE  
 CORED SLAB WITH  
 BARRIER RAIL



ASSEMBLED BY: D. HODGE	DATE: 4/04
CHECKED BY: H. KIM	DATE: 6/04
DRAWN BY: LES 8/01	REV. 10/17/00 RWW/LES
CHECKED BY: RDR 8/01	REV. 7/10/01 LES/RDR
	REV. 5/7/03R RWW/JTE

REVISIONS						SHEET NO.
NO.	BY:	DATE:	NO.	BY:	DATE:	S-21
1			3			TOTAL SHEETS 23
2			4			