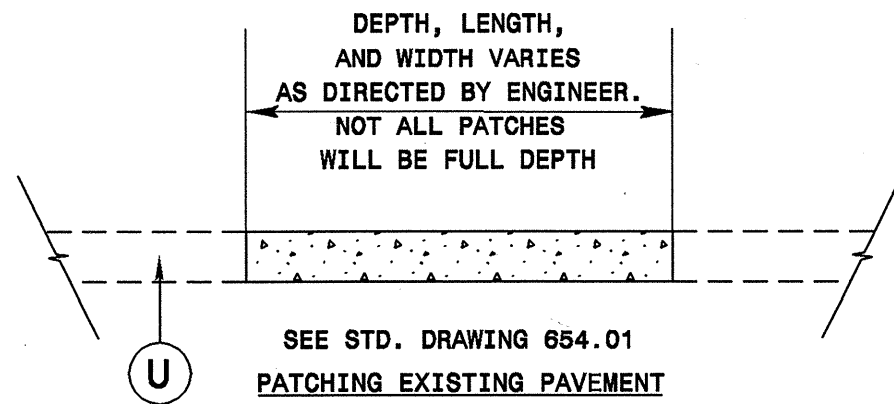
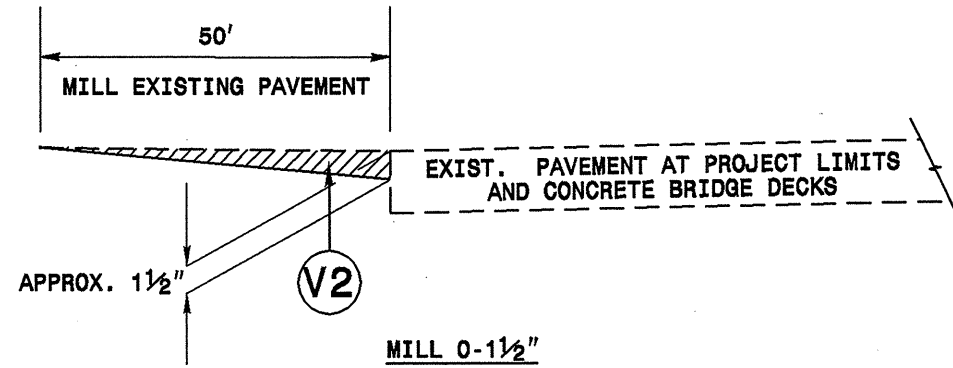


PROJ. REFERENCE NO.	SHEET NO.	TOTAL SHEETS
37664	2	8
STATE PROJ. NO.	F.A. PROJ. NO.	DESCRIPTION
37664		MA05011R

NOTES

ALL UNPAVED S.R. ROADS TO BE RESURFACED 50' FROM EDGE OF PAVEMENT OF MAIN PROJECT
 ALL PAVED S.R. ROADS TO BE RESURFACED TO THE ENDS OF THE RADII, OR AS DIRECTED BY THE ENGINEER.
 EDGES, PAVEMENT WIDENING, INTERSECTIONS AND BRIDGE FLARES ARE INCLUDED IN THE TABLE OF QUANTITIES.



PAVEMENT SCHEDULE

C	PROP. APPROX. 1.5" ASPHALT CONCRETE SURFACE COURSE, TYPE S9.5B, AT AN AVERAGE RATE OF 168 LBS. PER SQ. YD.
D1	PROP. APPROX. 2.5" ASPHALT CONCRETE INTERMEDIATE COURSE, TYPE I19.0B, AT AN AVERAGE RATE OF 285 LBS. PER SQ. YD.
D2	PROP. APPROX. 5.0" ASPHALT CONCRETE INTERMEDIATE COURSE, TYPE I19.0B, AT AN AVERAGE RATE OF 285 LBS. PER SQ. YD. IN EACH OF TWO LAYERS.
E1	PROP. APPROX. 10.0" ASPHALT CONCRETE BASE COURSE, TYPE B25.0B, AT AN AVERAGE RATE OF 570 LBS. PER SQ. YD. IN EACH OF TWO LAYERS.
E2	PROP. APPROX. 7.0" ASPHALT CONCRETE BASE COURSE, TYPE B25.0B, AT AN AVERAGE RATE OF 399 LBS. PER SQ. YD. IN EACH OF TWO LAYERS.
S	SHOULDER CONSTRUCTION OR SHOULDER RECONSTRUCTION.
U	EXISTING PAVEMENT.
V1	MILL EXISTING PAVEMENT, 1" DEPTH.
V2	INCIDENTAL MILLING.