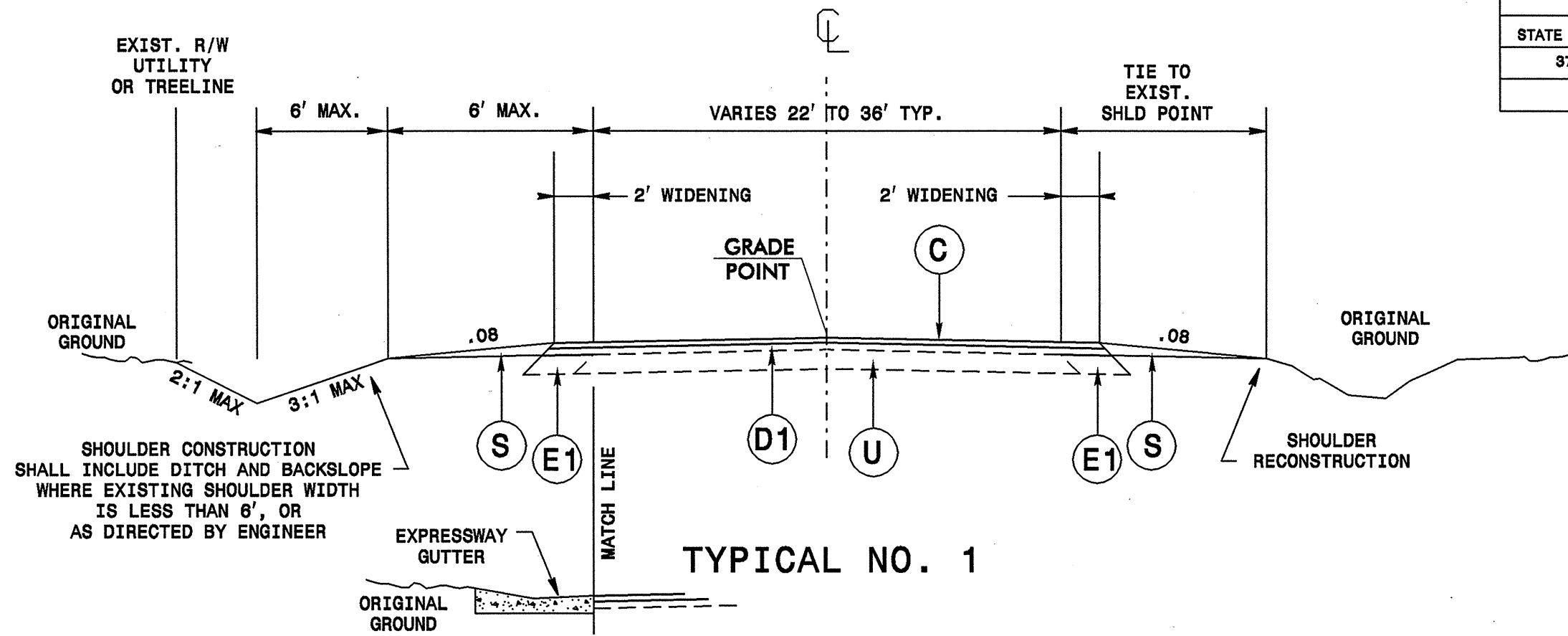
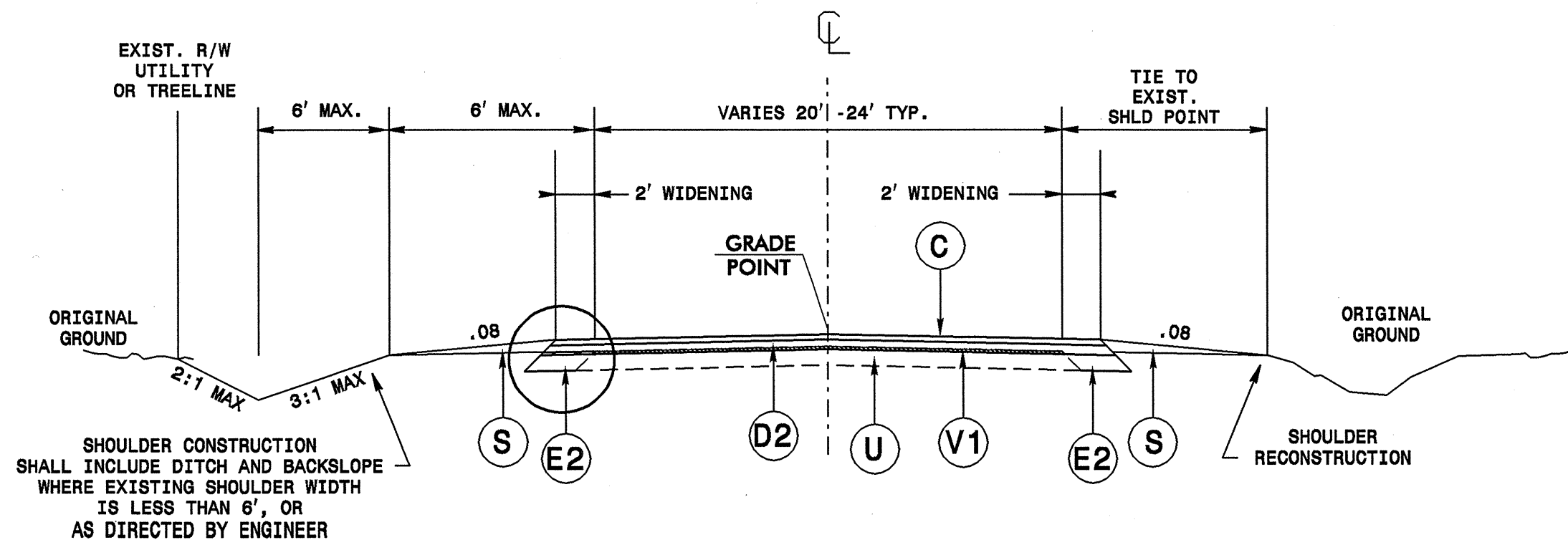


PROJ. REFERENCE NO.	SHEET NO.	TOTAL SHEETS
37664	3	8
STATE PROJ. NO.	F.A. PROJ. NO.	DESCRIPTION
37664		MA05011R

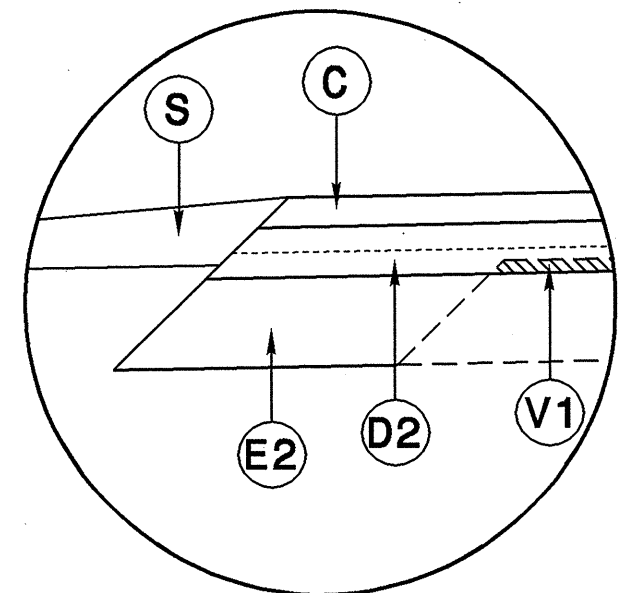


TYPICAL NO. 1

LOCATIONS OF EXPRESSWAY GUTTER
 SITE 1: BETWEEN I-85 AND SR 1106 (110')
 SITE 2: IN FRONT OF DUKE POWER SUBSTATION NEAR US 15 (390')



TYPICAL NO. 2



PLACE BASE 1" LOW,
 MILL EXISTING ASPHALT ONLY,
 PLACE FIRST LIFT OF
 INTERMEDIATE
 ACROSS ENTIRE WIDTH.

**TYPICAL NO. 2
 CONSTRUCTION
 DETAIL**