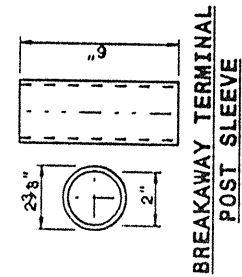


\\fs1\stds\2002\stds\862\862d02.dwg
DATE: 02-09-03
DRAWN BY: E.E. WARD
CHECKED BY: J.S. STUBBS
PROJECT: 919-250-4128

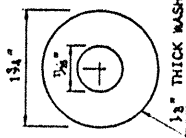
STATE OF
NORTH CAROLINA
DEPT. OF TRANSPORTATION
DIVISION OF HIGHWAYS
RALEIGH, N.C.

ENGLISH DETAIL DRAWING FOR
GUARDRAIL INSTALLATION

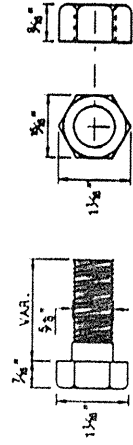
SHEET 5 OF 7
862D02



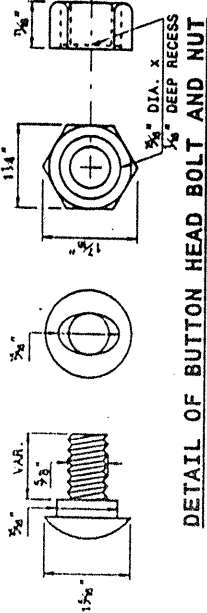
BREAKAWAY TERMINAL
POST SLEEVE



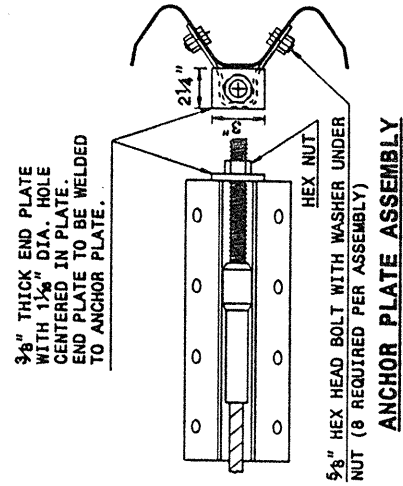
DETAIL OF STANDARD WASHER
STANDARD WASHER: TYPICAL USE UNDER NUT WITH WOOD POST



DETAIL OF STANDARD HEX BOLT AND NUT



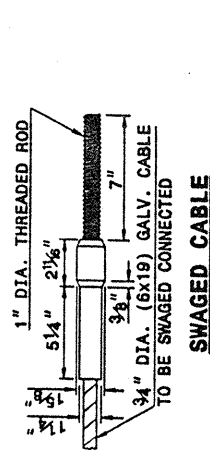
DETAIL OF BUTTON HEAD BOLT AND NUT



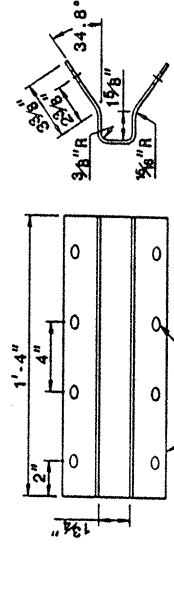
3/8" THICK END PLATE
WITH 1 1/8" DIA. HOLE
CENTERED IN PLATE.
END PLATE TO BE WELDED
TO ANCHOR PLATE.

HEX NUT
5/8" HEX HEAD BOLT WITH WASHER UNDER
NUT (8 REQUIRED PER ASSEMBLY)

ANCHOR PLATE ASSEMBLY



SWAGED CABLE



3/8" THICK GALV.
STEEL PLATE

ANCHOR PLATE

CABLE ASSEMBLY

SYSTEM PARTS

SHEET 5 OF 7
862D02

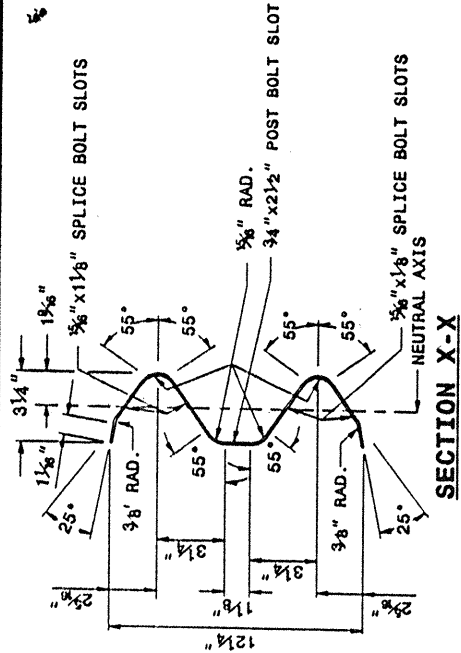
STATE OF
NORTH CAROLINA
DEPT. OF TRANSPORTATION
DIVISION OF HIGHWAYS
RALEIGH, N.C.

ENGLISH DETAIL DRAWING FOR
GUARDRAIL INSTALLATION

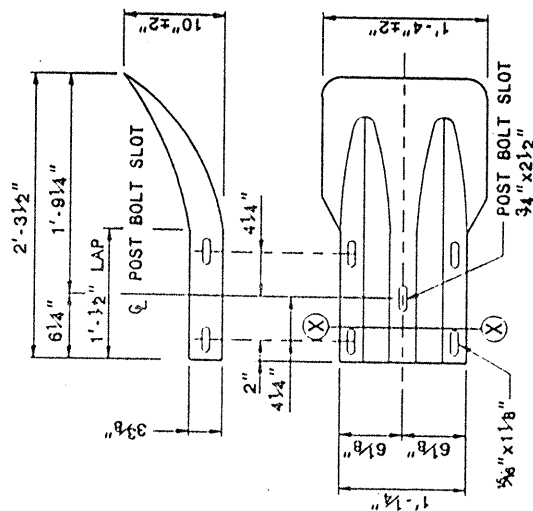
STATE OF
NORTH CAROLINA
DEPT. OF TRANSPORTATION
DIVISION OF HIGHWAYS
RALEIGH, N.C.

ENGLISH DETAIL DRAWING FOR
GUARDRAIL INSTALLATION

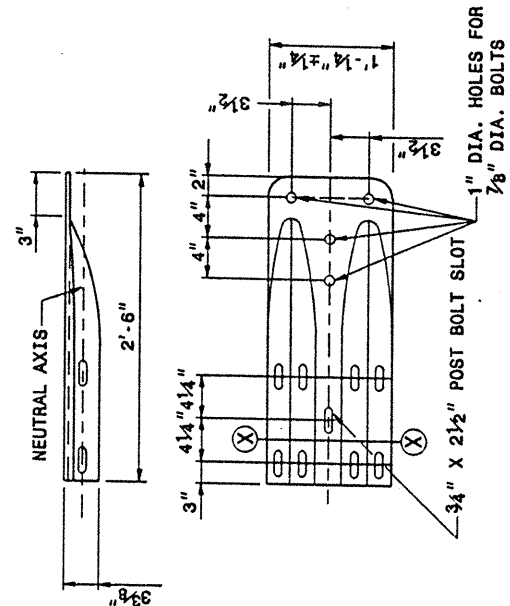
SHEET 6 OF 7
862D02



SECTION X-X



TERMINAL END SECTION



TYPICAL END SHOE

ENGLISH DETAIL DRAWING FOR
GUARDRAIL INSTALLATION

SHEET 6 OF 7
862D02

STATE OF
NORTH CAROLINA
DEPT. OF TRANSPORTATION
DIVISION OF HIGHWAYS
RALEIGH, N.C.

PROJECT SERVICES UNIT
STANDARDS AND SPECIAL DESIGN
Office 919-250-4128 FAX 919-250-4119

SEE PLATE FOR TITLE

ORIGINAL BY: 2002 STD. 862.02 DATE:
MODIFIED BY: E.E. WARD DATE: 02-09-03
CHECKED BY: J.S. STUBBS DATE:
FILE SPEC: \\fs1\stds\2002\stds\862\862d02.dwg

PROJECT REFERENCE NO. 37664
SHEET NO. 7