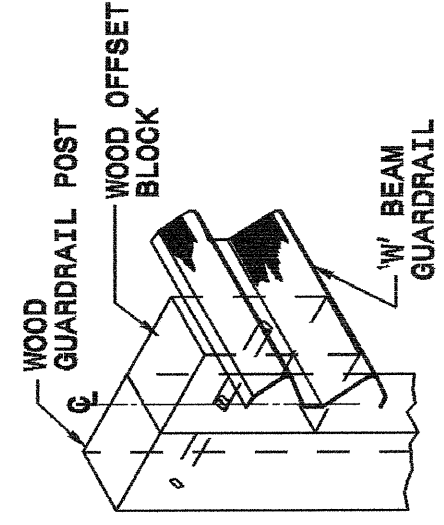
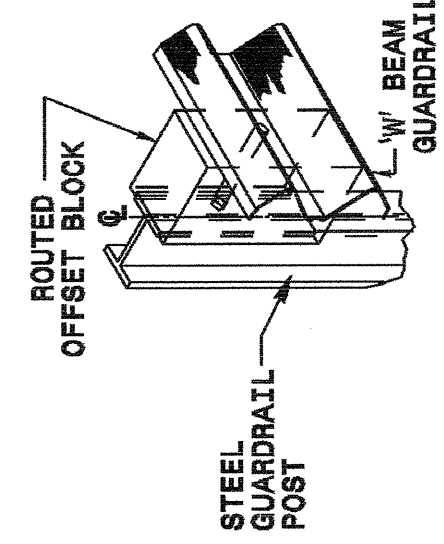
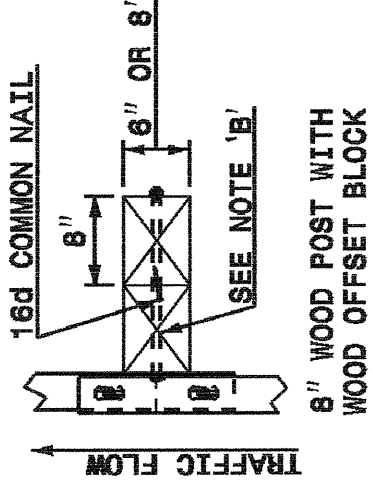
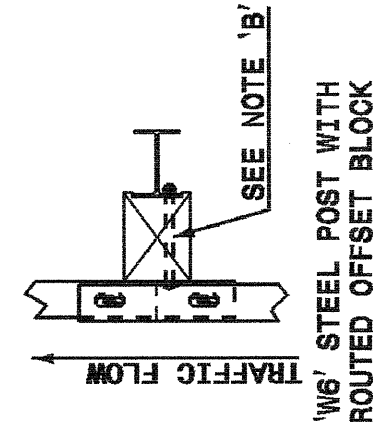
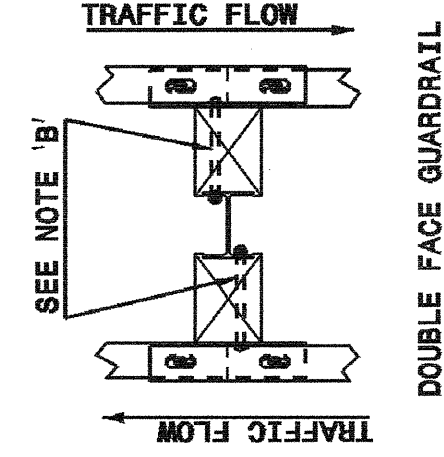


22-MAY-2003 13:39
 W:\Special Details\erickson\stds\02\stds to Special Details\english\862d02\0862d02.dgn
 erickson At DS212260

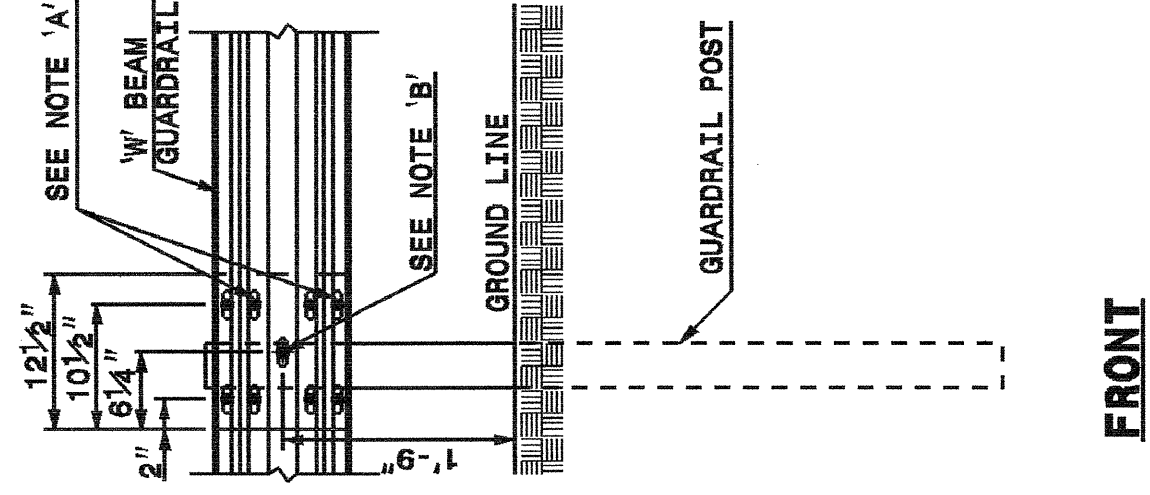
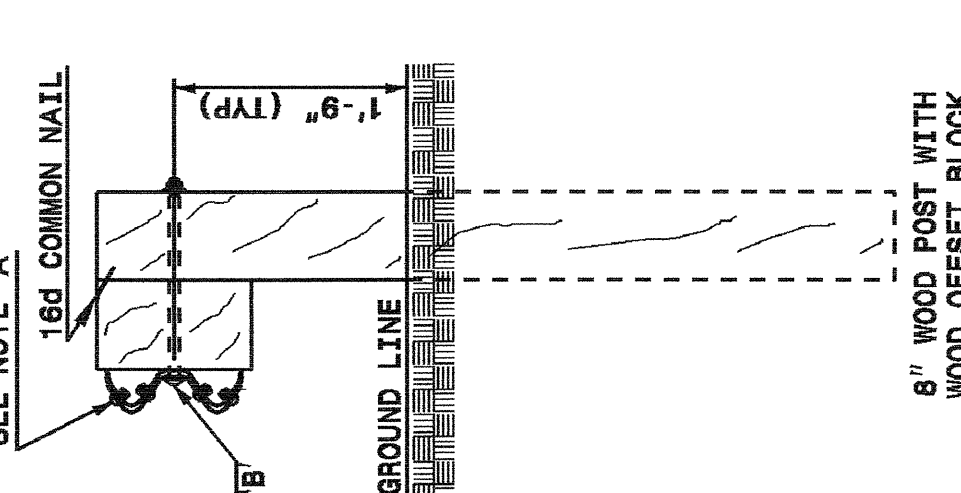
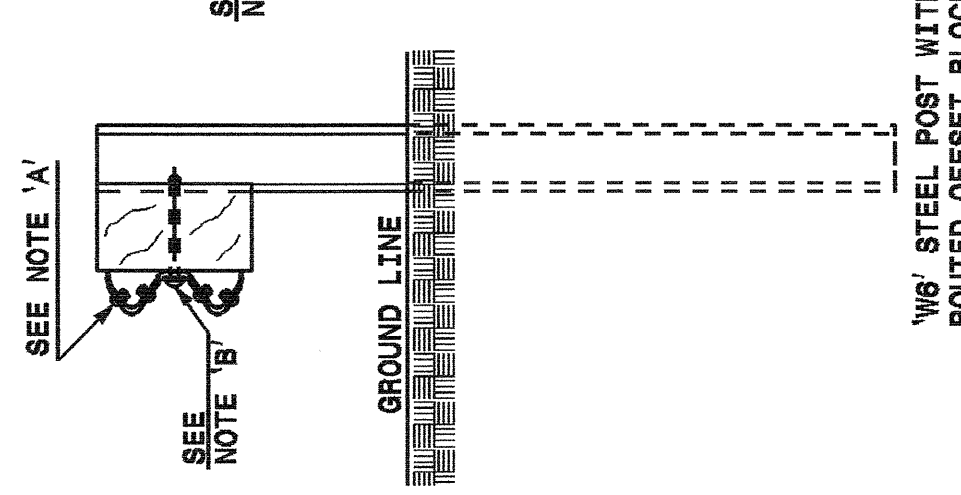
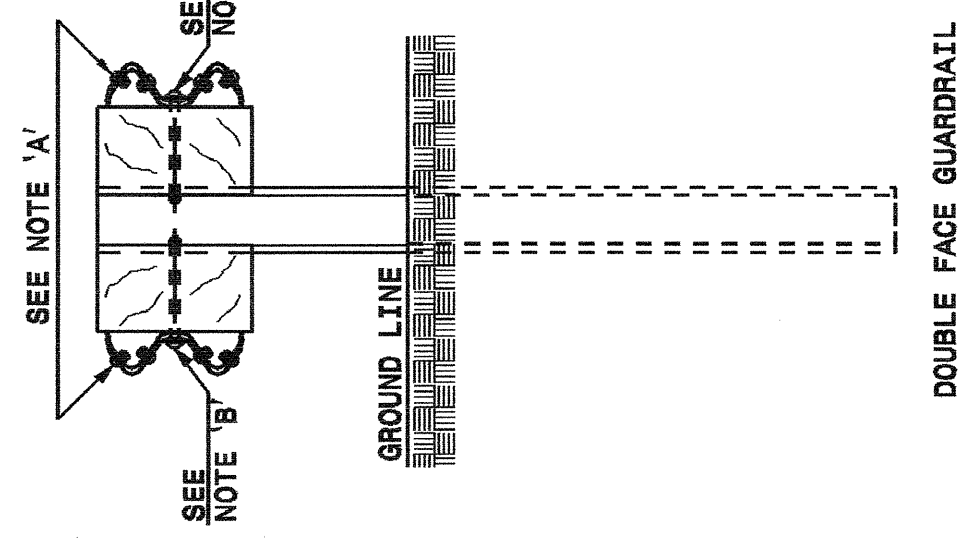
5/14/99

STATE OF
 NORTH CAROLINA
 DEPT. OF TRANSPORTATION
 DIVISION OF HIGHWAYS
 RALEIGH, N.C.



ISOMETRIC VIEWS

**ENGLISH DETAIL DRAWING FOR
 GUARDRAIL INSTALLATION**



FRONT

SIDE

- NOTES:
 A - 3/8" DIA. BUTTON HEAD SPLICE BOLT 1 1/4" LONG WITH STD. WASHER UNDER NUT (8 REQ. PER SPLICE JOINT).
 B - 5/8" DIA. BUTTON HEAD BOLT 7 1/2" / 9" LONG WITH STD. WASHER UNDER NUT FOR BOLTING 6" / 8" ROUTED OFFSET BLOCK TO STEEL POSTS OR
 5/8" DIA. BUTTON HEAD BOLT 18" LONG WITH STD. WASHER UNDER NUT FOR BOLTING TO WOOD POSTS (1 REQ. PER LOCATION)
 C - FIELD PUNCHING OF HOLES INTO GUARDRAIL SHALL BE AS DIRECTED BY THE ENGINEER.

TYPICAL GUARDRAIL AND GUARDRAIL POST ALTERNATIVES

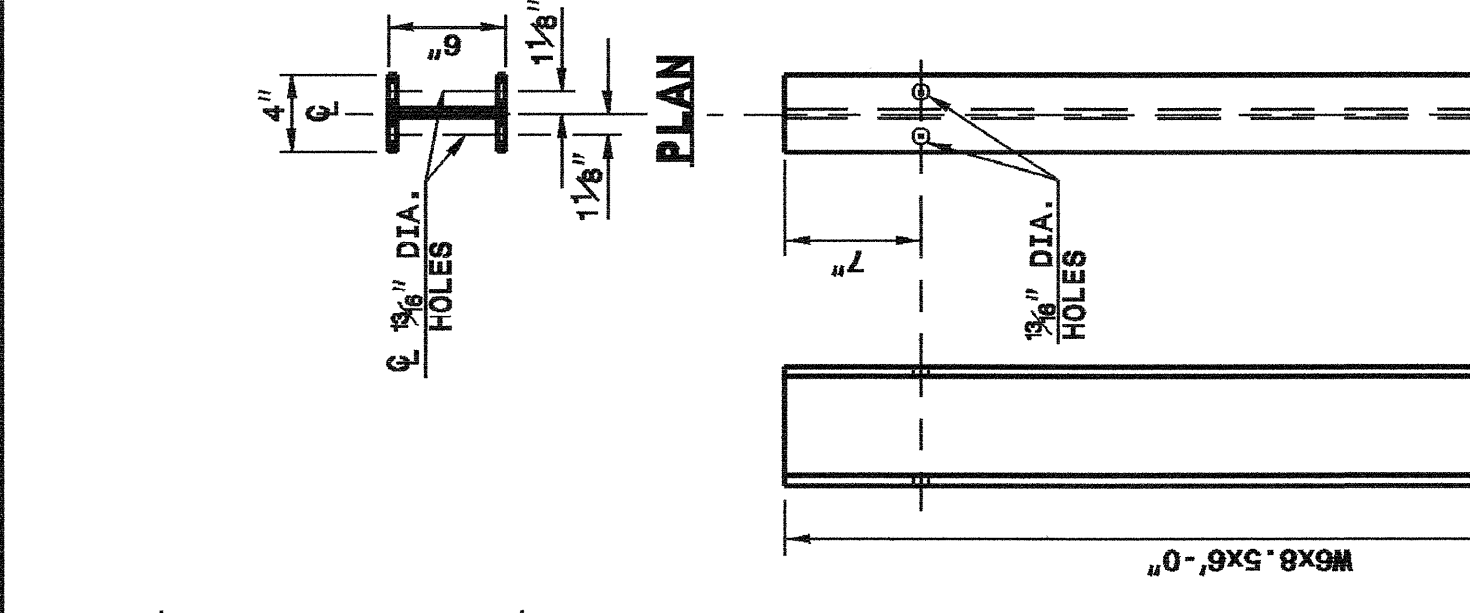
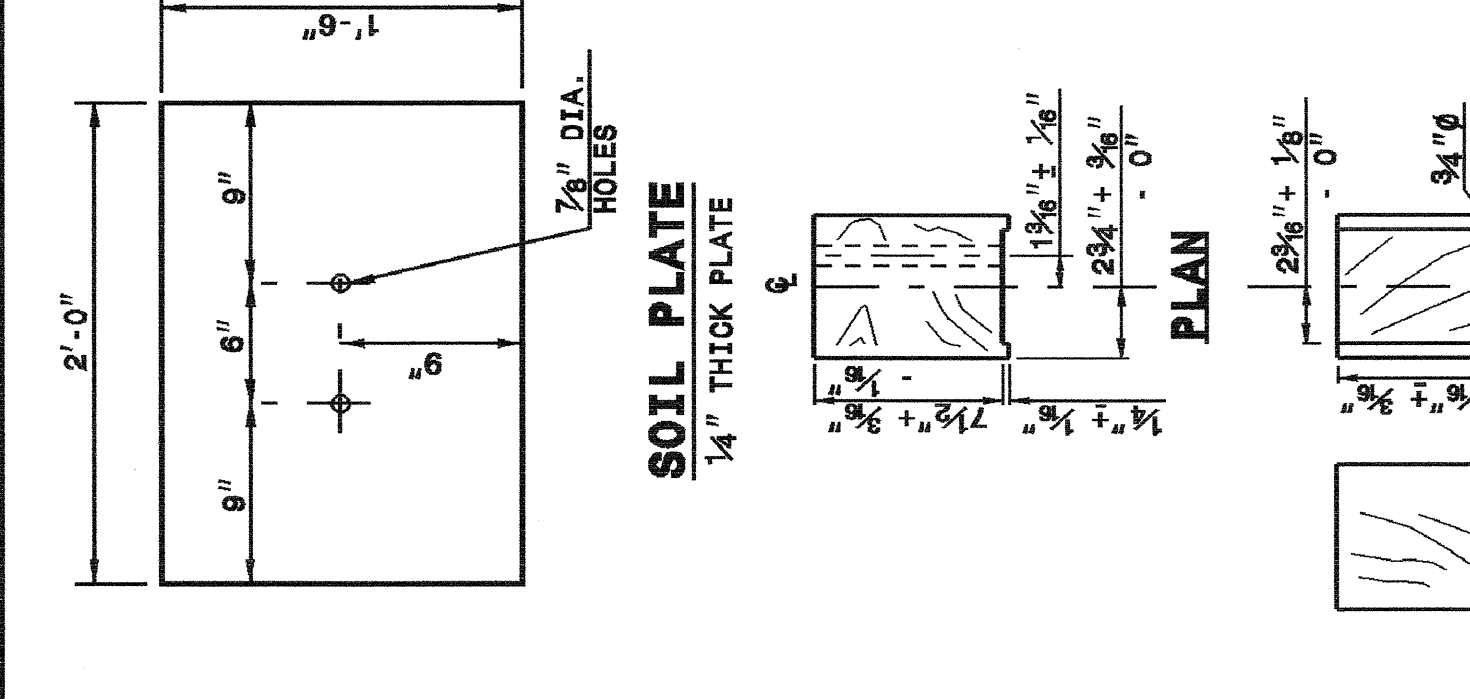
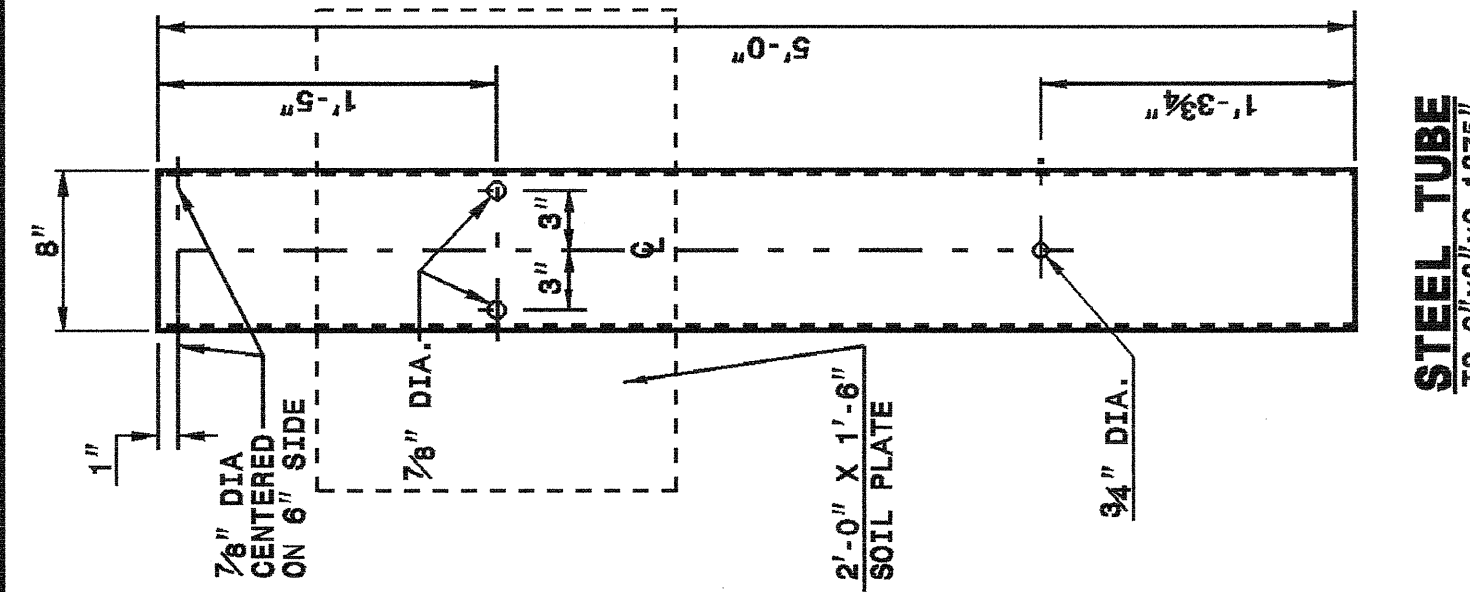
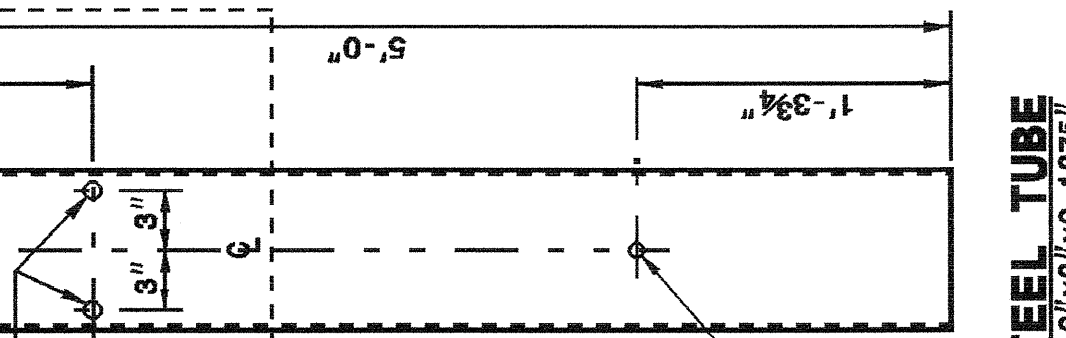
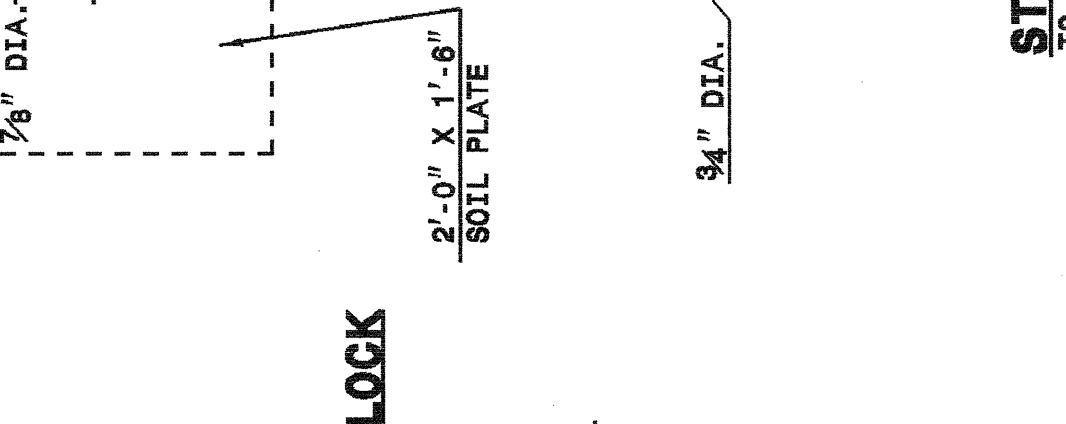
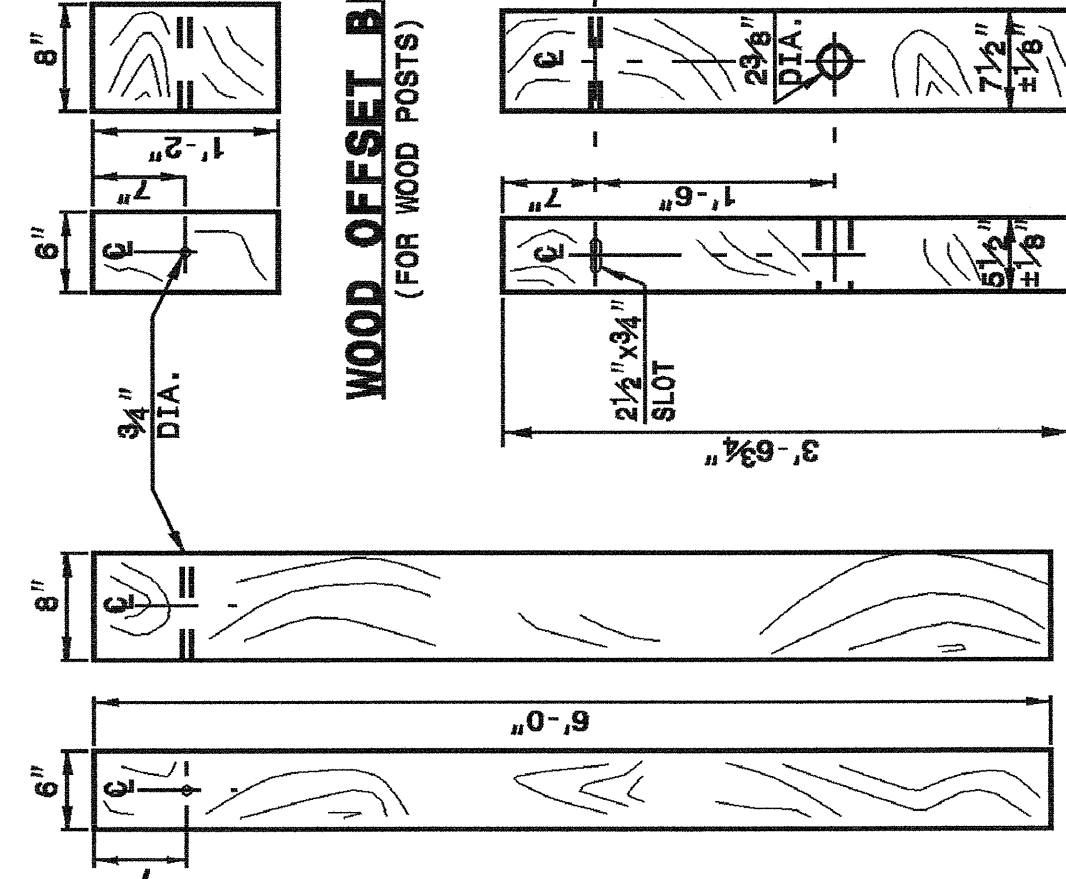
SHEET 3 OF 7
862D02

**ENGLISH DETAIL DRAWING FOR
 GUARDRAIL INSTALLATION**

STATE OF
 NORTH CAROLINA
 DEPT. OF TRANSPORTATION
 DIVISION OF HIGHWAYS
 RALEIGH, N.C.

SHEET 3 OF 7
862D02

STATE OF
 NORTH CAROLINA
 DEPT. OF TRANSPORTATION
 DIVISION OF HIGHWAYS
 RALEIGH, N.C.



**ENGLISH DETAIL DRAWING FOR
 GUARDRAIL INSTALLATION**

STATE OF
 NORTH CAROLINA
 DEPT. OF TRANSPORTATION
 DIVISION OF HIGHWAYS
 RALEIGH, N.C.

SHEET 4 OF 7
862D02

DESIGN SERVICES UNIT
 STANDARDS AND SPECIAL DESIGN
 Office 919-250-4128 FAX 919-250-4119

SEE PLATE FOR TITLE

ORIGINAL BY: 2002 STD. 862.02 DATE:
 MODIFIED BY: E.E. WARD DATE: 02-09-03
 CHECKED BY: DATE:
 FILE SPEC.: /usr/stds/02todetail/english/862d02/862d02.dgn



SYSTEM PARTS

