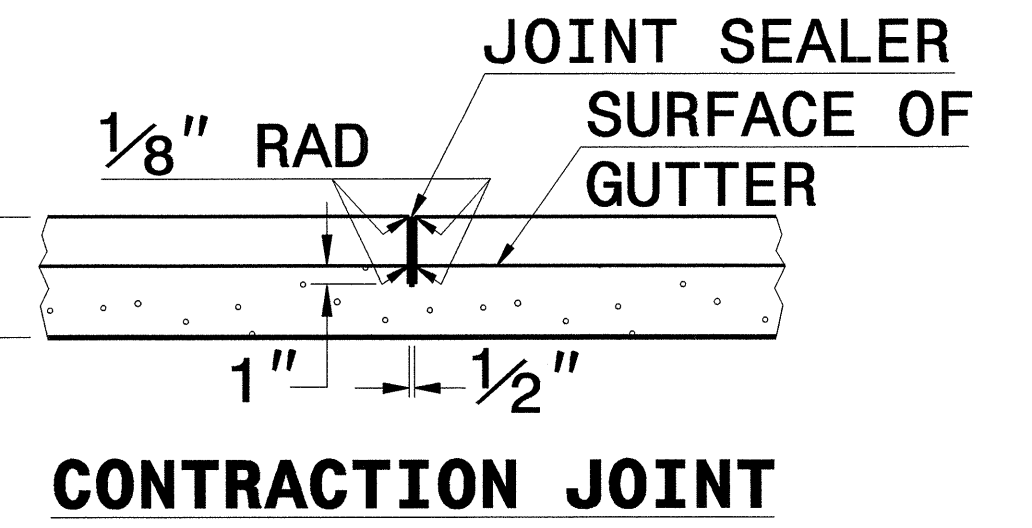
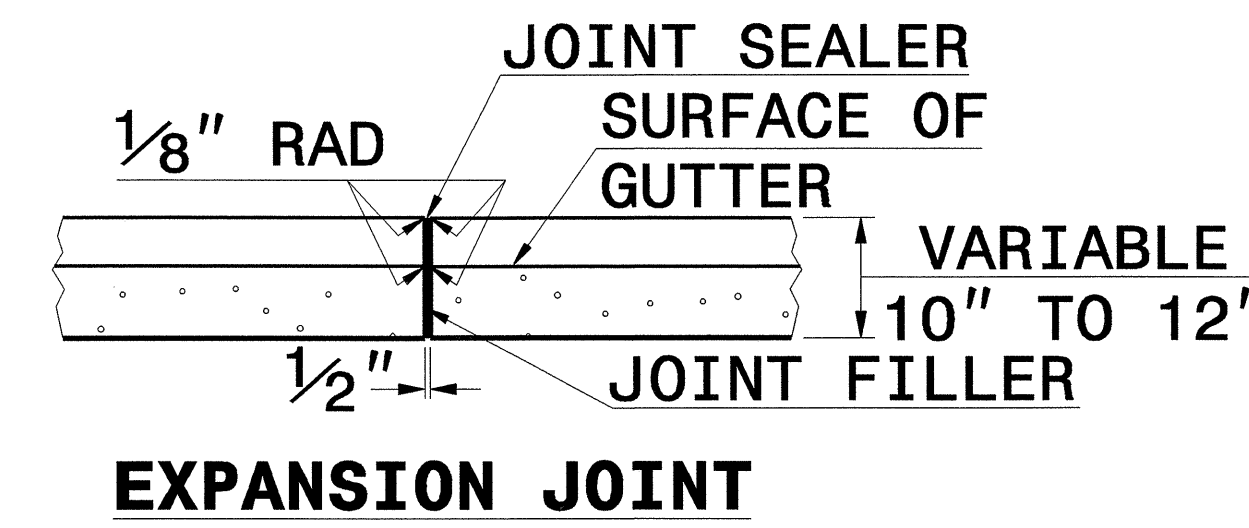
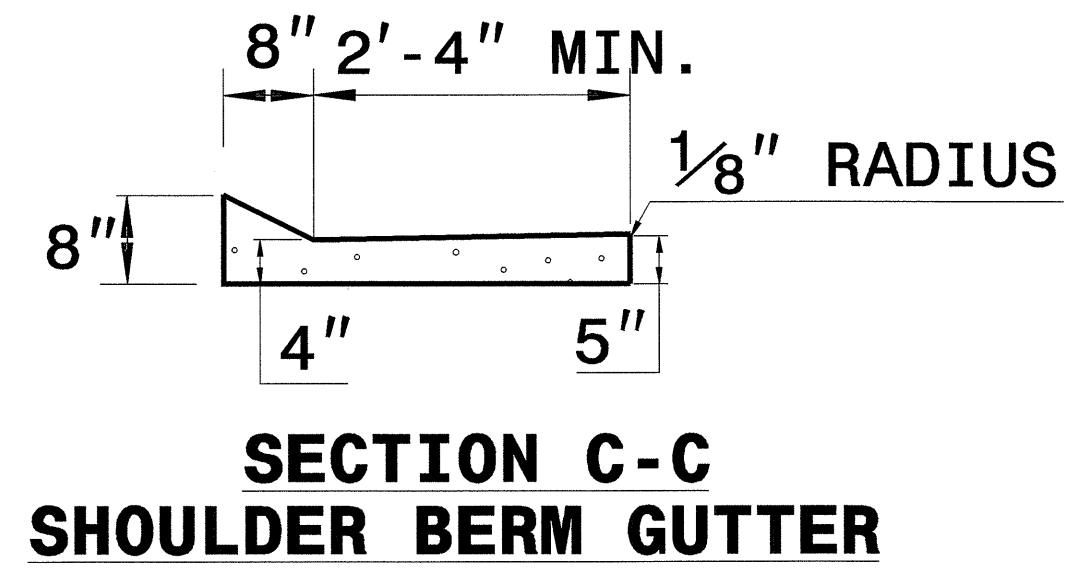
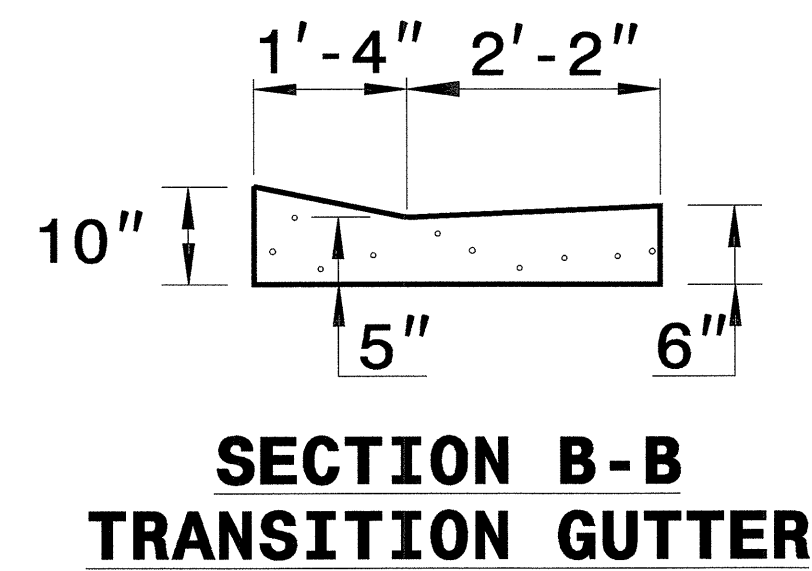
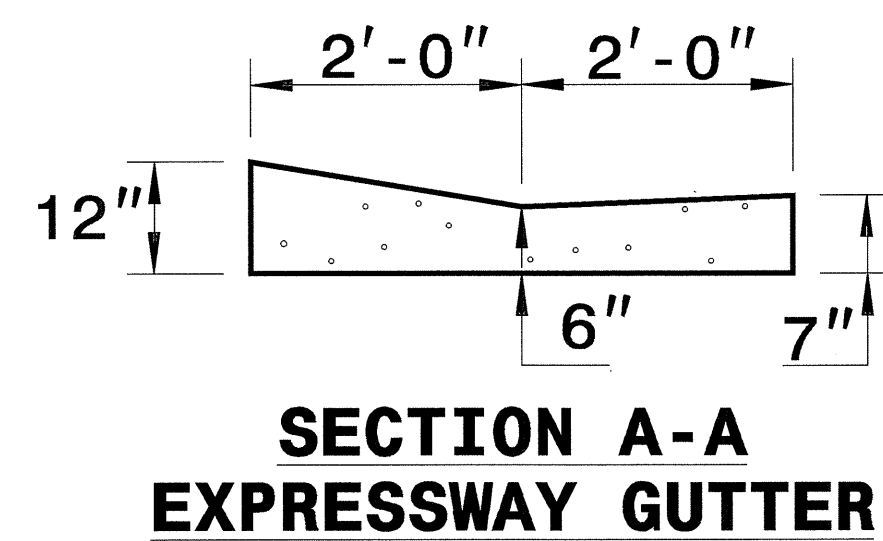


**PLAN VIEW OF TRANSITION
EXPRESSWAY GUTTER TO SHOULDER BERM GUTTER**

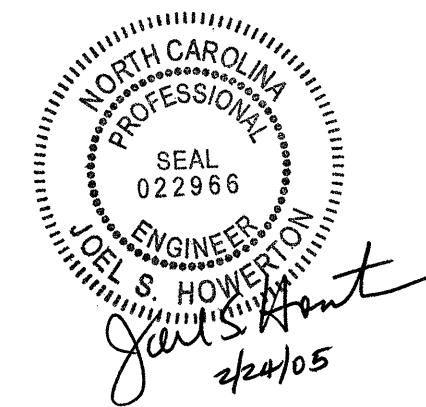


NOTES:

- IN THE TRANSITION FROM 4'-0" CONCRETE EXPRESSWAY GUTTER TO SHOULDER BERM GUTTER, PLACE 1/2" EXPANSION JOINTS AT 25' INTERVALS.
- PLACE GROOVE JOINTS 1" DEEP AT 12'-6" INTERVALS BETWEEN EXPANSION JOINTS.
- FILL AND SEAL THE TOP 1/2" OF THE EXPANSION JOINTS AND 1" OF CONTRACTION JOINTS WITH APPROVED JOINT SEALING COMPOUND.

NOTE:

PAYMENT FOR TRANSITION IS INCIDENTAL COST



**DESIGN SERVICES UNIT
STANDARDS AND SPECIAL DESIGN**
Office 919-250-4128 FAX 919-250-4119

**TRANSITION DETAIL FOR
SHOULDER BERM GUTTER**

ORIGINAL BY: <i>rnbritt</i>	DATE: _____
MODIFIED BY: _____	DATE: 01-25-05
CHECKED BY: <i>Yull S. Hunt</i>	DATE: 1/28/05
FILE SPEC.: <i>britt/eng/bridge/bridge/b3709expresswaytoahobers.dgn</i>	

5/14/99
25-JAN-2005 08:03
W:\Special\Details\britt\english\bridge\b3709 expressway to shoulder berm gutter.dgn
rnbritt

NBRIIT - ENGLISH, EXPRESSWAY TO SHOULDER BERM GUTTER.DGN